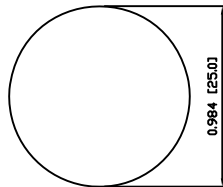
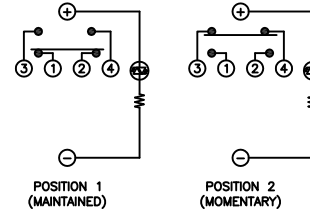


SUGGESTED PANEL CUTOUT



MAXIMUM PANEL THICKNESS: 0.394 [10.0mm]

SCHMATIC



SPECIFICATIONS

FUNCTION:  
1PNO OFF-(ON) + 1PNC ON-(OFF)

RATING:  
2A 48VDC

ILLUMINATION VOLTAGE:  
24V 20mA

CONTACT RESISTANCE:  
Initial: 50mΩ Max. at 1A 12VDC

INSULATION RESISTANCE:  
1,000MΩ Min. at 500VDC

DIELECTRIC STRENGTH:  
2,000VAC Min. for 1 Minute

ELECTRICAL LIFE:  
50,000 Cycles

MECHANICAL LIFE:  
1,000,000 Cycles

TEMPERATURE:  
Operating: -40°C to 70°C

INGRESS PROTECTION:  
IP65

APPROVALS:  
**RoHS**  
COMPLIANT

MATERIALS

BUSHING:  
Stainless Steel (304)

BASE:  
Polyamide 6/6 (PA66)

ACTUATOR:  
Stainless Steel (304)  
Polycarbonate (PC), UL94 V-2

HARDWARE:  
Nickel Plated Brass (H59)

SEALING:  
Silicone  
Stainless Steel (304)

INNER ASSEMBLY:  
Polyamide 6/6 (PA66)  
Brass (H59)  
Stainless Steel (304)

SPRING:  
Stainless Steel (304)

CONTACTS:  
Silver Plated Copper

TERMINALS:  
Brass

O-RING:  
Nitrile Butadiene Rubber (NBR)

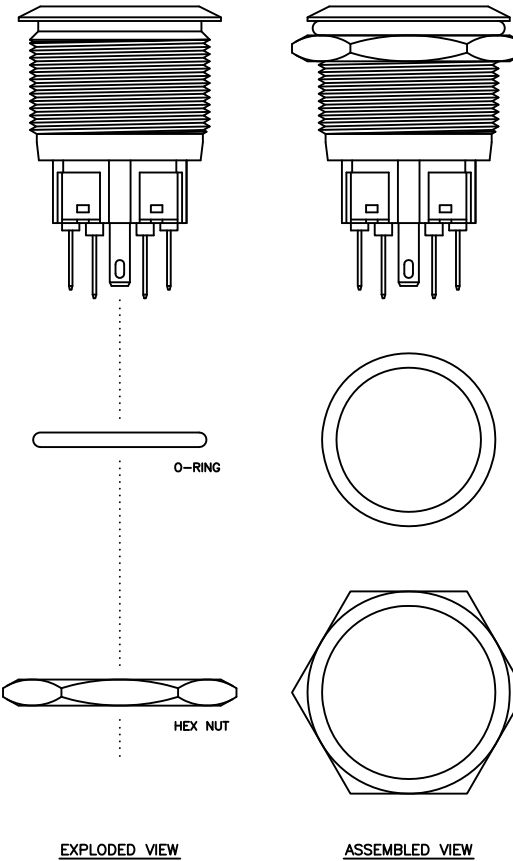
COLORS AND FINISH

BEZEL:  
Stainless Steel  
Machine Finish

ACTUATOR:  
Stainless Steel  
Machine Finish

ILLUMINATION:  
Green (Forward)  
Green (Reverse)

MARKING:  
None



BODY	A	09/07/06	CAB
COLORS	A	09/07/06	CAB
MATERIALS	A	09/07/06	CAB
SPECIFICATIONS	A	09/07/06	CAB
REFERENCE	REV.	DATE	BY

THE INFORMATION CONTAINED IN THIS DOCUMENT IS PROPRIETARY TO E-SWITCH AND IS NOT TO BE COPIED OR TRANSFERRED

A	INITIAL RELEASE	PCRD0028	09/07/06	CAB
REV.	DESCRIPTION	PCR	DATE	DRAWN BY

DIMENSIONS	INCHES [MILLIMETERS]
GENERAL TOLERANCES	±0.008 [±0.2] / ±1°
SCALE	DRAWING NOT TO SCALE
PROJECTION	1st Angle

PV8F2Y1SS-235		
DRAWING NUMBER	DATE	REVISION
52-PV8F2Y1SS235	JULY 22, 2009	A

## X-ON Electronics

Largest Supplier of Electrical and Electronic Components

*Click to view similar products for [Pushbutton Switches](#) category:*

*Click to view products by [E-Switch](#) manufacturer:*

Other Similar products are found below :

[8940K2012](#) [LW1L-M1C10V-A](#) [LW1L-M1C70-A](#) [LW2L-A1C20M-GD](#) [LW2L-M1C20M-A](#) [60324L](#) [M22-D-R-GB0/K11](#) [M7E-HRN2](#)  
[67021K512](#) [67081K512X](#) [701PB580](#) [7190K101](#) [7199K101](#) [810K12910](#) [810KSV30B](#) [MML21EA2ADK](#) [MML21KA3ABK](#)  
[MML23KA3AC05K-001](#) [MML23KW3AA01W](#) [8418K2](#) [8442K3](#) [8450K1](#) [860K11911T01A](#) [861901](#) [861K11911T01A07](#)  
[861K13810T00A14](#) [861K13911](#) [8646AB6X718UL](#) [8646ABUL](#) [9001KXRK](#) [907AYY100](#) [PMHD155A1](#) [95-313.000](#)  
[9533CD4+U574+U4922](#) [95-414.000](#) [99-450.837](#) [99-453.837](#) [PV3H2B0NN-341](#) [1203MRA](#) [A22NZBGANGA](#) [A22NZBMMNGA](#)  
[A22NZBNANGA](#) [A22NZMPATRA](#) [A2PMA1X03EC56](#) [A3A-5123-02](#) [A3A-7140](#) [A3A-7310](#) [A3A-7340](#) [A3U-TMW-A2C-5M](#) [A595](#)