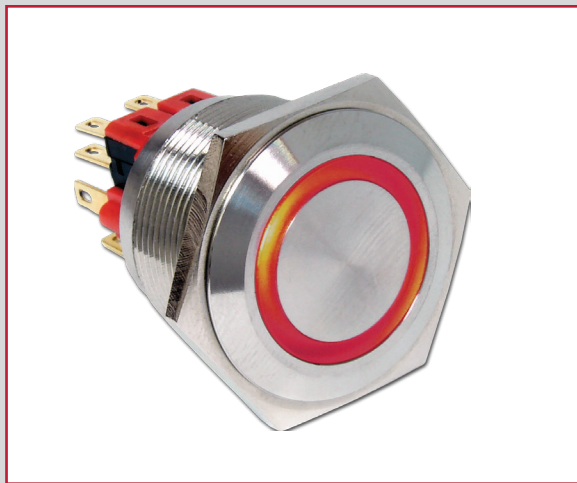


# PV8 SERIES ANTI-VANDAL SWITCH

ANTI-VANDAL SWITCHES  
DETECTOR SWITCHES  
DIP SWITCHES  
KEYLOCK SWITCHES  
NAVIGATION SWITCHES  
PUSHBUTTON SWITCHES  
ROCKER SWITCHES  
ROTARY SWITCHES  
SLIDE SWITCHES  
SNAP ACTION SWITCHES  
TACTILE SWITCHES  
TOGGLE SWITCHES  
CAP OPTIONS



## APPLICATIONS / MARKETS



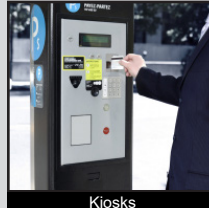
Audio / Visual



Security Devices



Industrial Controls



Kiosks



Electrical Housewares



Medical Equipment

# RoHS

## SPECIFICATIONS

**Electrical Rating:** 2A, 48VDC  
**Electrical Life:** 50,000 Cycles  
**Contact Resistance:** 50mΩ Max.  
**Insulation Resistance:** 1000 MΩ Min. @ 500VDC  
**Dielectric Strength:** 2,000VAC  
**Operating/Storage Temperature:** -20°C to 55°C  
**Travel:** 2.80mm  
**Moisture Protection:** IP65  
**Contact Arrangement:** SPDT& DPDT  
**Actuation Force:** 6.5 N  
**Panel Thickness:** 1-10mm for Momentary  
 1-12mm for Maintained  
**Mounting Nut Torque:** 5-14Nm

## FEATURES & BENEFITS

- 25mm diameter panel cutout
- LED color options
- Dot, ring or power symbol illumination available
- Multiple function options
- IP65 rated
- SPDT & DPDT arrangements
- Soldered wire leads (300mm long) optional

## PART NUMBER CONFIGURATOR

| Series                       | Actuator Options                  | Terminal Options   | Function Options   | Rating Options                            | Body Finish Options  | Actuator Finish Options  | Lens Style Options   | LED-Color Options   | Illumination Voltage Options  | Graphic (Optional)  |
|------------------------------|-----------------------------------|--|--|---|--|--|--|---|---|---|
| <input type="checkbox"/> PV8 | <input type="checkbox"/> F - Flat | <input type="checkbox"/> 2 - Solder<br><input type="checkbox"/> W - Wire Leads<br>300mm long | <input type="checkbox"/> T - 2 Pole<br>1P Off-On +<br>1P On-Off<br><input type="checkbox"/> Y - 2 Pole<br>1P Off-(On) +<br>1P On-(Off)<br><input type="checkbox"/> U - 4 Pole<br>2P Off-On +<br>2P On-Off<br><input type="checkbox"/> V - 4 Pole<br>2P Off-(On) +<br>2P On-(Off) | <input type="checkbox"/> 0 - 2A,<br>48VDC | <input type="checkbox"/> 1 - Black<br>Anodized<br><input type="checkbox"/> N - Nickel<br>Plated<br><input type="checkbox"/> S - Stainless<br>Steel | <input type="checkbox"/> 1 - Black<br>Anodized<br><input type="checkbox"/> N - Nickel<br>Plated<br><input type="checkbox"/> S - Stainless<br>Steel | <input type="checkbox"/> NONE - Non-Illuminated<br><input type="checkbox"/> 2 - Dot<br>Illumination<br><input type="checkbox"/> 3 - Ring<br>Illumination | <input type="checkbox"/> NONE- Non-Illuminated<br><input type="checkbox"/> 0 - White<br><input type="checkbox"/> 1 - Red<br><input type="checkbox"/> 2 - Orange<br><input type="checkbox"/> 3 - Green<br><input type="checkbox"/> 4 - Blue<br><input type="checkbox"/> 5 - Yellow | <input type="checkbox"/> NONE - Non-Illuminated<br><input type="checkbox"/> 1 - Base Voltage<br><input type="checkbox"/> 3 - 6V<br><input type="checkbox"/> 4 - 12V<br><input type="checkbox"/> 5 - 24V<br><input type="checkbox"/> 6 - 125V<br><input type="checkbox"/> 7 - 250V | <input type="checkbox"/> M11 - Power symbol laser etched<br><input type="checkbox"/> M14 - Power symbol / Ring Illumination |

NOTES:  
 \*( ) denotes function is momentary

Specifications subject to change without notice 5.2.2019



**E-SWITCH®**

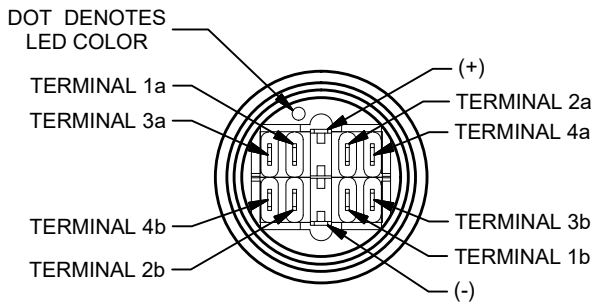
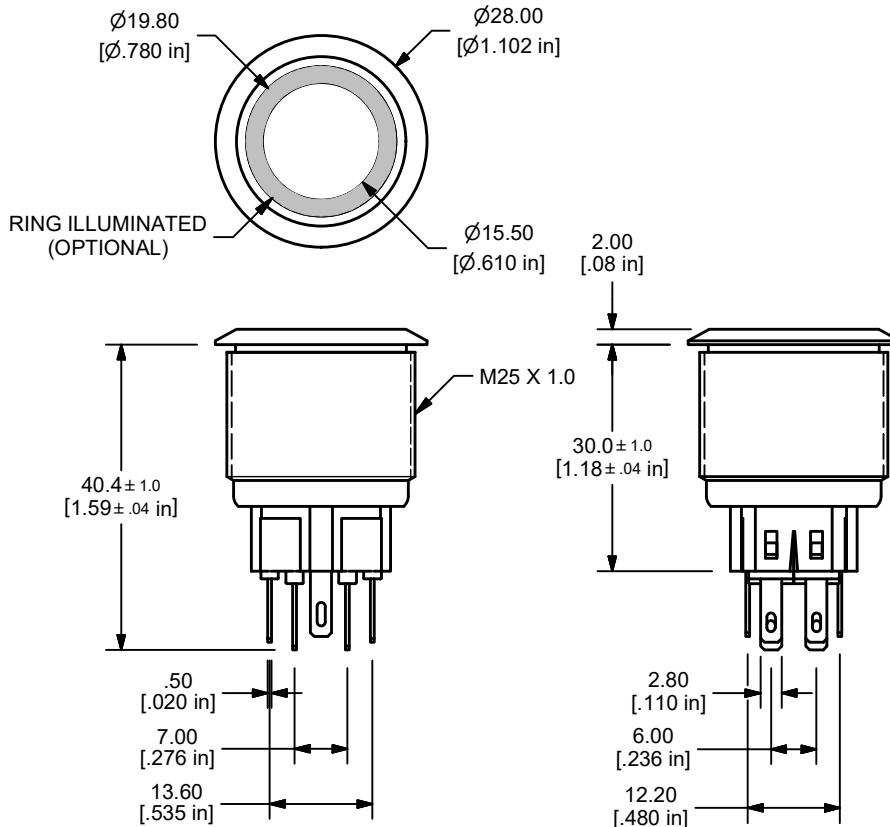
www.e-switch.com

800.867.2717

1

# PV8 SERIES ANTI-VANDAL SWITCH

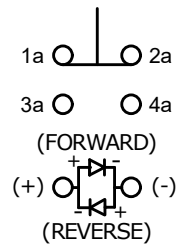
## STANDARD LED FUNCTIONS T & U



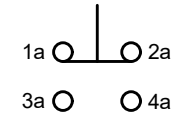
SPDT - FUNCTION T  
TERMINALS 1a - 4a

DPDT - FUNCTION U  
TERMINALS 1a - 4a AND  
1b - 4b (AS SHOWN)

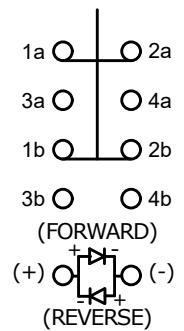
TERMINALS (-) AND (+)  
USED WITH ILLUMINATED  
OPTION ONLY



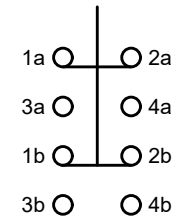
**SPDT LED SCHEMATIC**



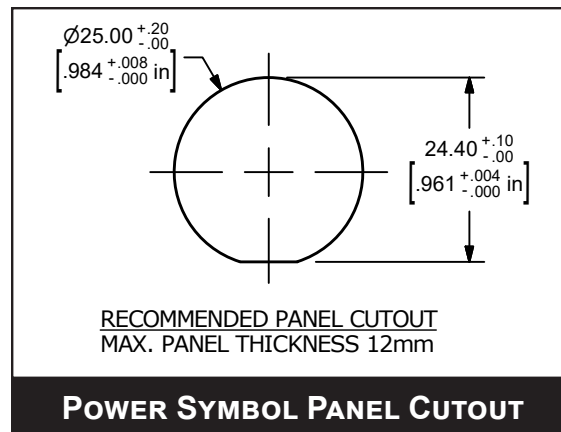
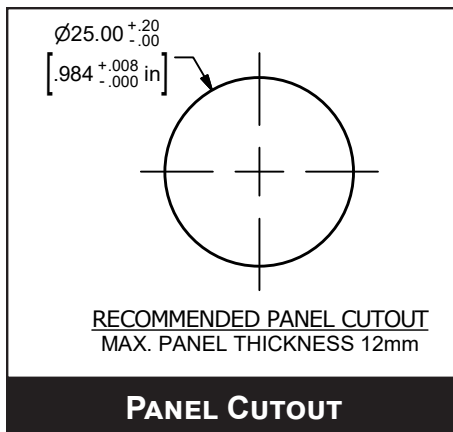
**SPDT Non ILL SCHEMATIC**



**DPDT LED SCHEMATIC**



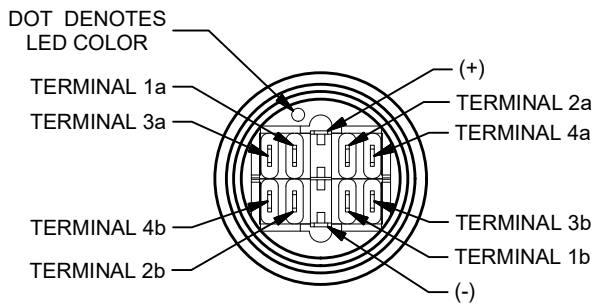
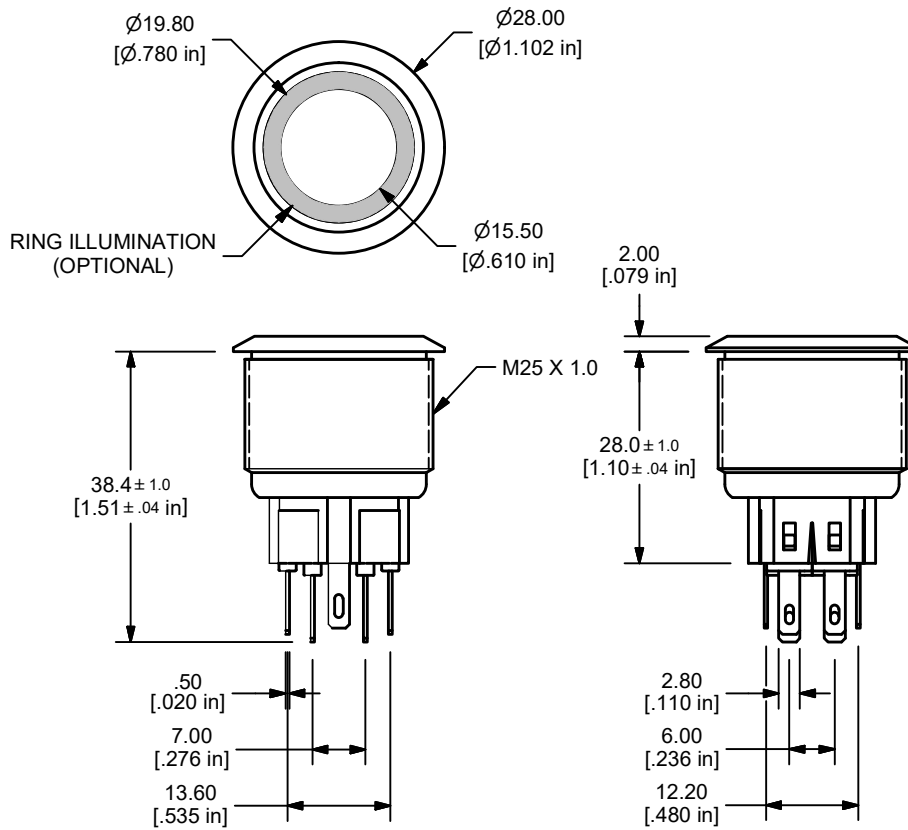
**DPDT Non ILL SCHEMATIC**



ANTI-VANDAL SWITCHES  
DETECTOR SWITCHES  
DIP SWITCHES  
KEYLOCK SWITCHES  
NAVIGATION SWITCHES  
PUSHBUTTON SWITCHES  
ROCKER SWITCHES  
ROTARY SWITCHES  
SLIDE SWITCHES  
SNAP ACTION SWITCHES  
TACTILE SWITCHES  
TOGGLE SWITCHES  
CAP OPTIONS

# PV8 SERIES ANTI-VANDAL SWITCH

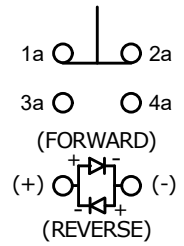
## STANDARD LED FUNCTIONS Y & V



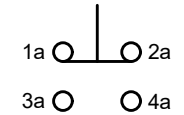
SPDT - FUNCTION Y  
TERMINALS 1a - 4a

DPDT - FUNCTION V  
TERMINALS 1a - 4a AND  
1b - 4b (AS SHOWN)

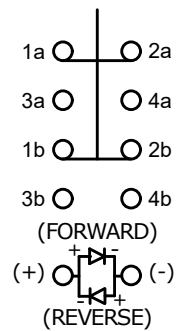
TERMINALS (-) AND (+)  
USED WITH ILLUMINATED  
OPTION ONLY



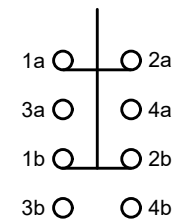
**SPDT LED SCHEMATIC**



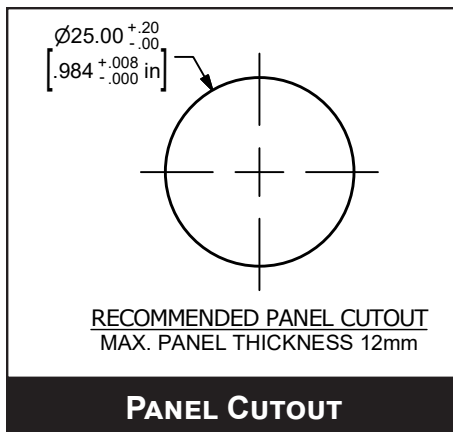
**SPDT Non ILL SCHEMATIC**



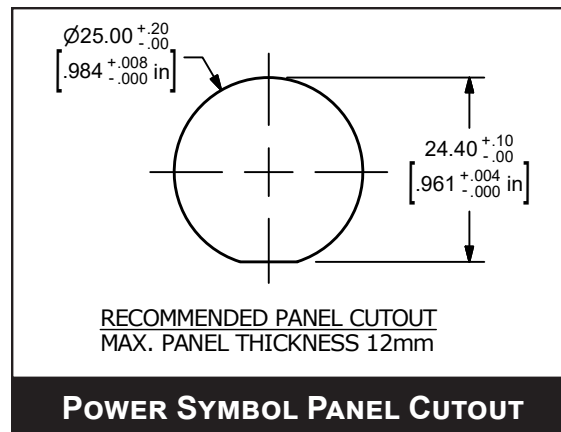
**DPDT LED SCHEMATIC**



**DPDT Non ILL SCHEMATIC**



**PANEL CUTOUT**

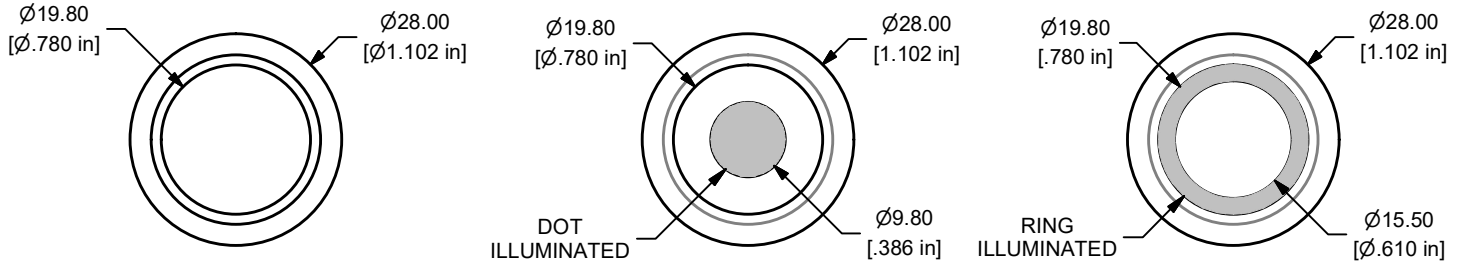


**POWER SYMBOL PANEL CUTOUT**



# PV8 SERIES ANTI-VANDAL SWITCH

## ACTUATOR OPTIONS

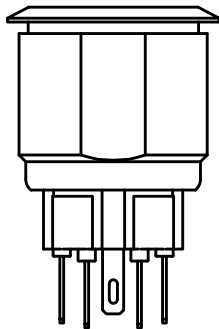
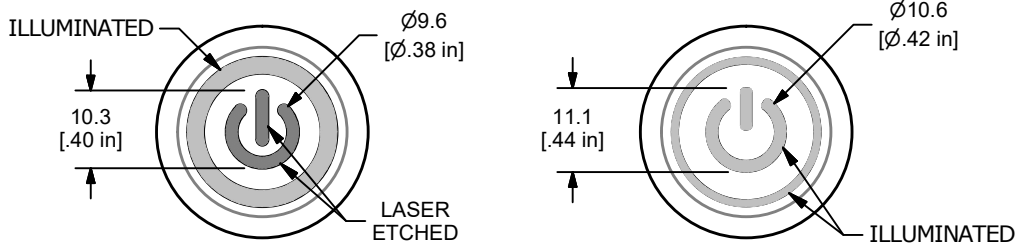


**FLAT NON-ILLUMINATED**

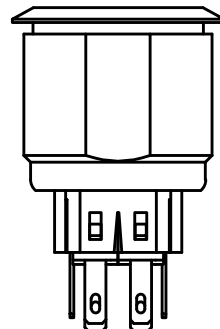
**FLAT DOT ILLUMINATED**

**FLAT RING ILLUMINATED**

## GRAPHIC OPTIONS



**M11**



**M14**



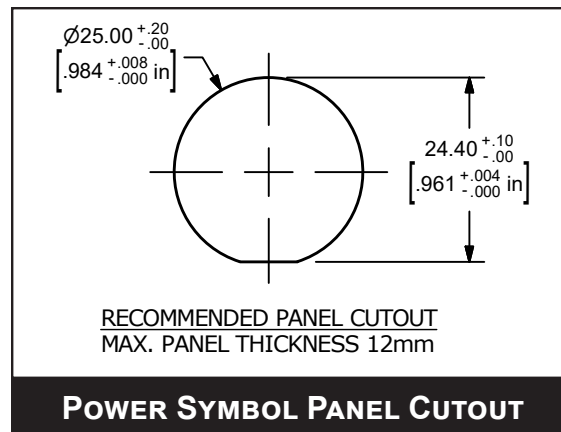
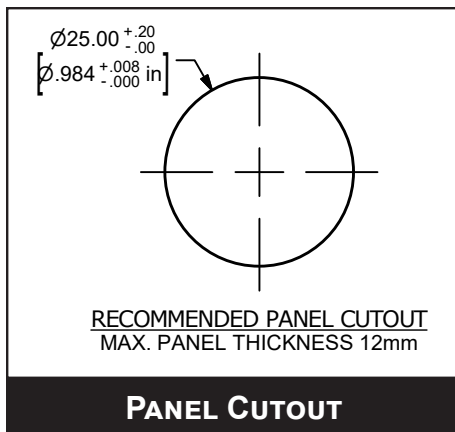
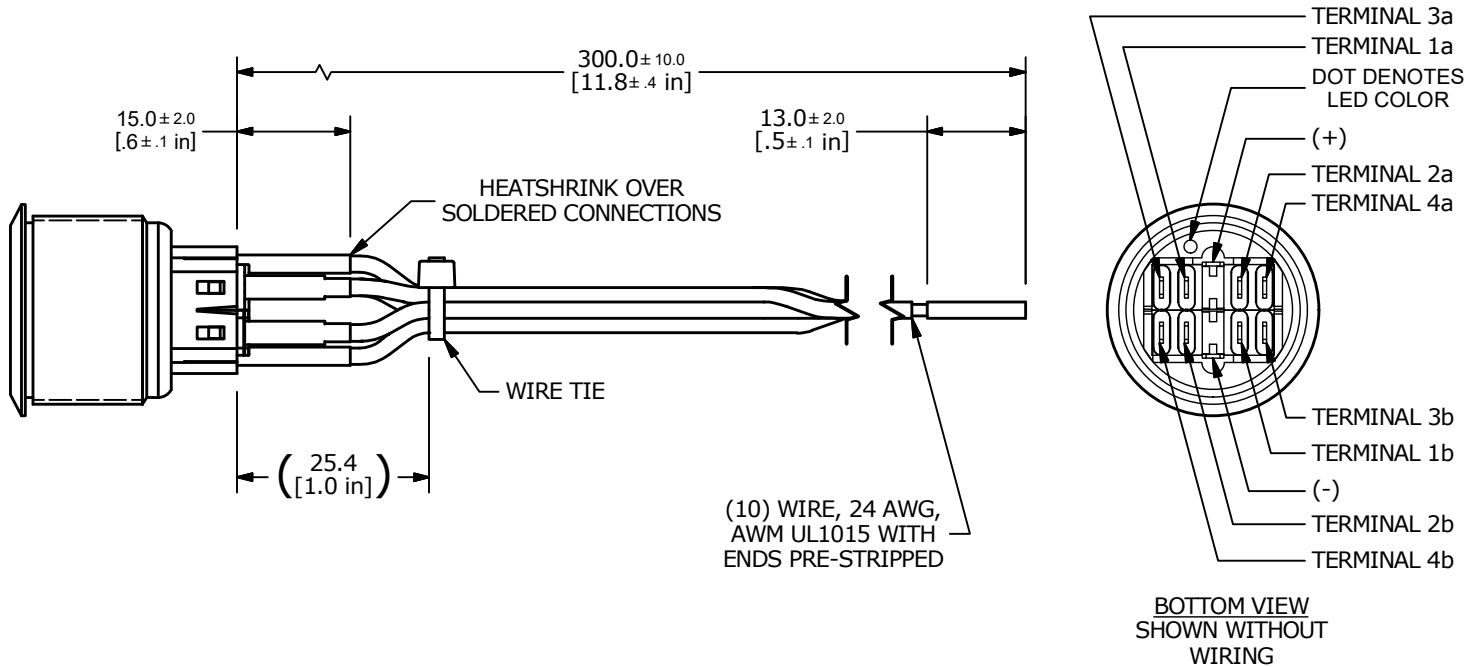
ANTI-VANDAL SWITCHES  
 DETECTOR SWITCHES  
 DIP SWITCHES  
 KEYLOCK SWITCHES  
 NAVIGATION SWITCHES  
 PUSHBUTTON SWITCHES  
 ROCKER SWITCHES  
 ROTARY SWITCHES  
 SLIDE SWITCHES  
 SNAP ACTION SWITCHES  
 TACTILE SWITCHES  
 TOGGLE SWITCHES  
 CAP OPTIONS

# PV8 SERIES ANTI-VANDAL SWITCH

## STANDARD LED WIRE LEAD

| SWITCH   | WIRE                          | LENGTH          |
|----------|-------------------------------|-----------------|
| SW1-1a   | WIRE, 24AWG AWM UL1015, WHITE | 300.0 [11.8 in] |
| SW1-2a   | WIRE, 24AWG AWM UL1015, WHITE | 300.0 [11.8 in] |
| SW1-3a   | WIRE, 24AWG AWM UL1015, BLUE  | 300.0 [11.8 in] |
| SW1-4a   | WIRE, 24AWG AWM UL1015, BLUE  | 300.0 [11.8 in] |
| SW1-1b   | WIRE, 24AWG AWM UL1015, WHITE | 300.0 [11.8 in] |
| SW1-2b   | WIRE, 24AWG AWM UL1015, WHITE | 300.0 [11.8 in] |
| SW1-3b   | WIRE, 24AWG AWM UL1015, BLUE  | 300.0 [11.8 in] |
| SW1-4b   | WIRE, 24AWG AWM UL1015, BLUE  | 300.0 [11.8 in] |
| SW1- (+) | WIRE, 24AWG AWM UL1015, RED   | 300.0 [11.8 in] |
| SW1- (-) | WIRE, 24AWG AWM UL1015, BLACK | 300.0 [11.8 in] |

\*\* WIRE LEADS PROVIDED ARE DEPENDANT ON THE FUNCTION AND/OR ILLUMINATION SELECTED \*\*



## X-ON Electronics

Largest Supplier of Electrical and Electronic Components

*Click to view similar products for [Pushbutton Switches](#) category:*

*Click to view products by [E-Switch](#) manufacturer:*

Other Similar products are found below :

[8940K2012](#) [LW1L-M1C10V-A](#) [LW1L-M1C70-A](#) [LW2L-A1C20M-GD](#) [LW2L-M1C20M-A](#) [60324L](#) [M22-D-R-GB0/K11](#) [M7E-HRN2](#)  
[67021K512](#) [67081K512X](#) [701PB580](#) [7190K101](#) [7199K101](#) [810K12910](#) [810KSV30B](#) [MML21EA2ADK](#) [MML21KA3ABK](#)  
[MML23KA3AC05K-001](#) [MML23KW3AA01W](#) [8418K2](#) [8442K3](#) [8450K1](#) [860K11911T01A](#) [861901](#) [861K11911T01A07](#)  
[861K13810T00A14](#) [861K13911](#) [8646AB6X718UL](#) [8646ABUL](#) [9001KXRK](#) [907AYY100](#) [PMHD155A1](#) [95-313.000](#)  
[9533CD4+U574+U4922](#) [95-414.000](#) [99-450.837](#) [99-453.837](#) [PV3H2B0NN-341](#) [1203MRA](#) [A22NZBGANGA](#) [A22NZBMMNGA](#)  
[A22NZBNANGA](#) [A22NZMPATRA](#) [A2PMA1X03EC56](#) [A3A-5123-02](#) [A3A-7140](#) [A3A-7310](#) [A3A-7340](#) [A3U-TMW-A2C-5M](#) [A595](#)