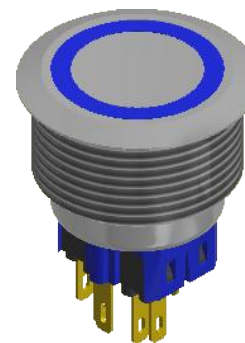
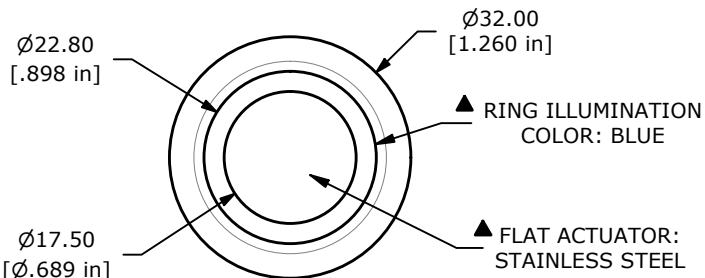
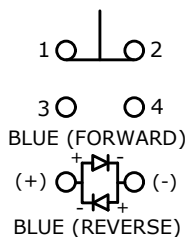


PANEL CUTOUT  
MAX. PANEL THICKNESS 10mm

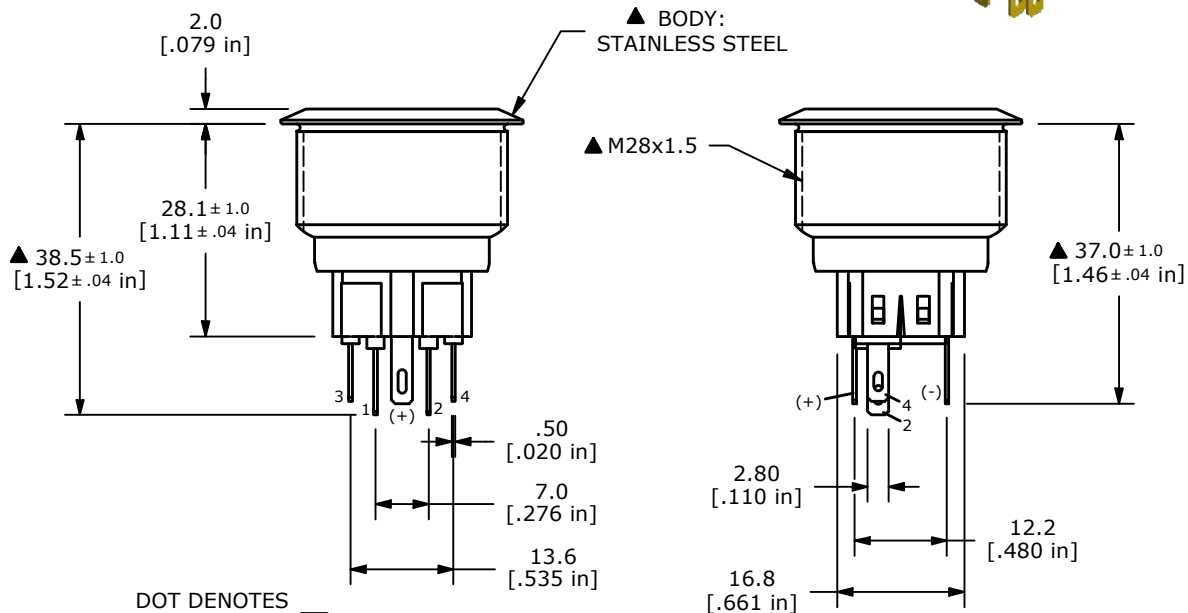


▲ SWITCH FUNCTION

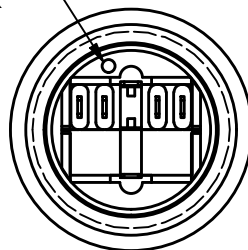
POS. 1	POS. 2
1-2 ON 3-4 OFF	1-2 (OFF) 3-4 (ON)



CONTACT CONFIGURATION  
▲ SPDT ON-(OFF) / OFF-(ON)  
( ) DENOTES MOMENTARY FUNCTION



DOT DENOTES LED COLOR



NOTE:

- ALL DIMENSIONS IN MM [INCH]
- GENERAL TOLERANCE: X.X = ± 0.4  
X.XX = ± 0.25
- TERMINAL NUMBERS FOR REF. ONLY
- RATING: 2A @ 48VDC
- CONTACT RESISTANCE: 50mΩ MAX. @ 1A 12VDC
- INSULATION RESISTANCE: 1,000MΩ @ 500VDC
- DIELECTRIC STRENGTH: 2,000VAC MIN. FOR 1 MINUTE
- ELECTRICAL LIFE: 50,000 CYCLES
- OPERATING TEMPERATURE: -20°C TO 55°C
- INGRESS PROTECTION: IP66
- ▲ 11. SUPPLIED HARDWARE: O-RING AND HEXNUT
- ▲ 12. ▲ DENOTES CRITICAL PARAMETER
- ▲ 13. ILLUMINATION COLOR: BLUE
- ▲ 14. ILLUMINATION VOLTAGE: 12V

REV	PCR NO	DESCRIPTION	DATE	BY
C	24648	UPDATE THREAD LENGTH TO 15.0	12/18/20	JM
B	23841	UPDATED RATING TO IP66	4/8/19	MJR
A	22599	RELEASE FOR PRODUCTION	11/23/16	MW



TITLE PV9F2Y0SS-344				
SCALE 1:1	DATE 11/23/2016	DR MW	DWG 52-PV9F2Y0SS344	REV C

THE INFORMATION CONTAINED IN THIS DOCUMENT IS PROPRIETARY TO E-SWITCH AND IS NOT TO BE COPIED OR TRANSFERRED

## X-ON Electronics

Largest Supplier of Electrical and Electronic Components

*Click to view similar products for [Pushbutton Switches](#) category:*

*Click to view products by [E-Switch](#) manufacturer:*

Other Similar products are found below :

[8940K2012](#) [8971K1133](#) [LW1L-M1C10V-A](#) [LW1L-M1C70-A](#) [LW2L-A1C20M-GD](#) [LW2L-M1C20M-A](#) [60324L](#) [M22-D-R-GB0/K11](#) [M7E-HRN2](#) [67021K512](#) [67081K512X](#) [701PB580](#) [7199K101](#) [810K12910](#) [810KSV30B](#) [MML21EA2ADK](#) [MML21KA3ABK](#)  
[MML23KA3AC05K-001](#) [MML23KW3AA01W](#) [8418K2](#) [8442K3](#) [8450K1](#) [860K11911T01A](#) [861901](#) [861K11911T01A07](#)  
[861K13810T00A14](#) [861K13911](#) [8646AB6X718UL](#) [8646ABUL](#) [9001KXRK](#) [907AYY100](#) [PMHD155A1](#) [9533CD4+U574+U4922](#) [95-414.000](#) [99-450.837](#) [99-453.837](#) [PV3H2B0NN-341](#) [1203MRA](#) [A22NZBGANGA](#) [A22NZBNANGA](#) [A22NZMPATRA](#) [A2PMA1X03EC56](#)  
[A3A-5123-02](#) [A3A-7140](#) [A3A-7310](#) [A3A-7340](#) [A3U-TMW-A2C-5M](#) [A595](#) [12037A2ULCSA](#) [ABD122N-B](#)