

PVA6 SERIES ANTI-VANDAL SWITCH

ANTI-VANDAL SWITCHES
DETECTOR SWITCHES
DIP SWITCHES
KEYLOCK SWITCHES
NAVIGATION SWITCHES
PUSHBUTTON SWITCHES
ROCKER SWITCHES
ROTARY SWITCHES
SLIDE SWITCHES
SNAP ACTION SWITCHES
TACTILE SWITCHES
TOGGLE SWITCHES
CAP OPTIONS



APPLICATIONS / MARKETS



RoHS

SPECIFICATIONS

Electrical Rating: 2A, 36VDC
Mechanical Life: 1,000,000 Cycles (PVA6L 100,000 Cycles)
Electrical Life: 200,000 Cycles (PVA6L 100,000 Cycles)
Contact Resistance: 50mΩ Max. Initial
Insulation Resistance: 1,000 MΩ @ 500VDC
Dielectric Strength: 2,000V
Operating/Storage Temperature: -20°C to 70°C
Travel: 2.0mm (PVA6L 2.3mm)
Moisture Protection: IP67
Contact Arrangement: SPST
Actuation Force: 460 gf
Panel Thickness: 1-8mm (PVA6L 1-6mm)
Max Hex Nut Torque: 11.5 kgf/cm

FEATURES & BENEFITS

PVA6

- 16mm diameter panel cutout
- Solder lug or wire leads (500 mm long) termination
- Ring or power symbol illumination options
- Multiple actuator options
- IP67 rated, Off-(On), SPST
- Multiple LED colors available

PVA6L - Latching Version

- 16mm diameter panel cutout
- Solder lug termination
- Ring illumination
- IP67 rated, Off-On Latching, SPST
- Multiple LED colors available

PART NUMBER CONFIGURATOR

Series Options	Bezel Shape	Button Style	Termination	Circuit Function	Housing Material	LED Color Options	LED Voltage
<input type="checkbox"/> <input type="checkbox"/> <input type="checkbox"/> <input type="checkbox"/> <input type="checkbox"/> PVA6	<input type="checkbox"/> R - Rounded	<input type="checkbox"/> E - Ring Illumination P - Power Symbol/ Ring Illumination	<input type="checkbox"/> 2 - Solder Lug W - Wire Leads 500mm long	<input type="checkbox"/> 4 - SPST Off - (On)* Momentary	<input type="checkbox"/> 1 - Black Anodized 2 - Clear Anodized	<input type="checkbox"/> 0 - White 1 - Red 3 - Green 4 - Blue 5 - Yellow G - Red/Green bi-color	<input type="checkbox"/> 1 - Base Voltage
PVA6	H - High Flat	E - Ring Illumination	2 - Solder Lug W - Wire Leads 500mm long	4 - SPST Off - (On)* Momentary	S - Stainless Steel B - Brushed Stainless Steel	0 - White 1 - Red 3 - Green 4 - Blue 5 - Yellow G - Red/Green bi-color	1 - Base Voltage
PVA6	F - Flat	E - Ring Illumination P - Power Symbol/ Ring Illumination	2 - Solder Lug W - Wire Leads 500mm long	4 - SPST Off - (On)* Momentary	S - Stainless Steel B - Brushed Stainless Steel	0 - White 1 - Red 3 - Green 4 - Blue 5 - Yellow G - Red/Green bi-color	1 - Base Voltage
PVA6L	F - Flat	E - Ring Illumination	2 - Solder Lug	1 - SPST Off - On Latching	1 - Black Anodized 2 - Clear Anodized	0 - White 1 - Red 3 - Green 4 - Blue 5 - Yellow G - Red - Off Position/ Green - On Position bi-color	1 - Base Voltage

NOTES:
 *() denotes function is momentary

Specifications subject to change without notice



E-SWITCH®

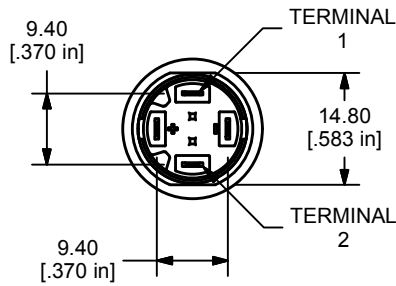
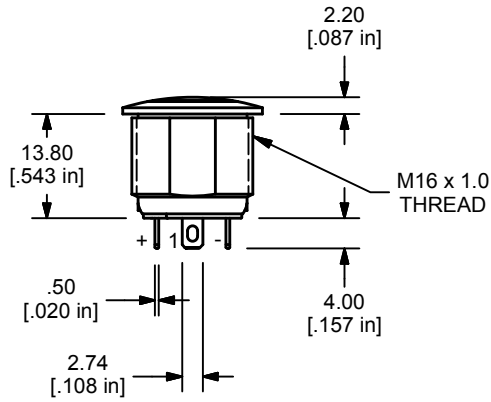
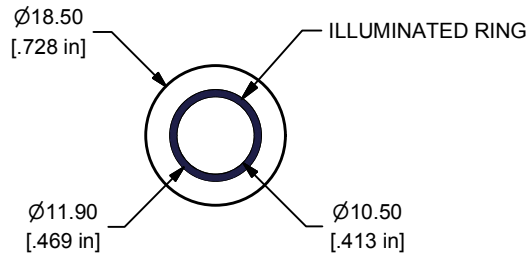
www.e-switch.com

800.867.2717

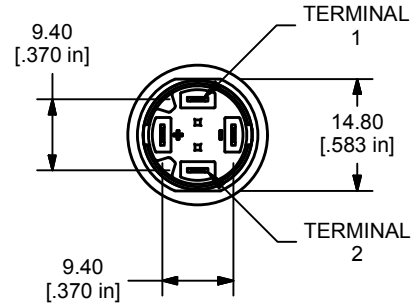
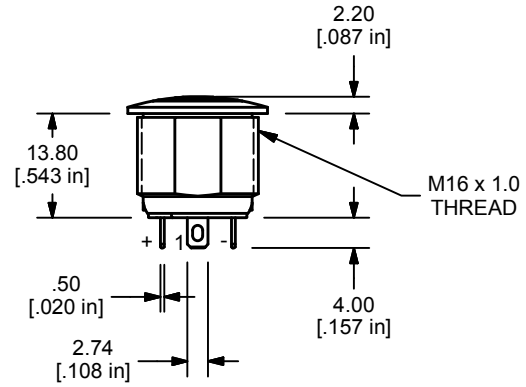
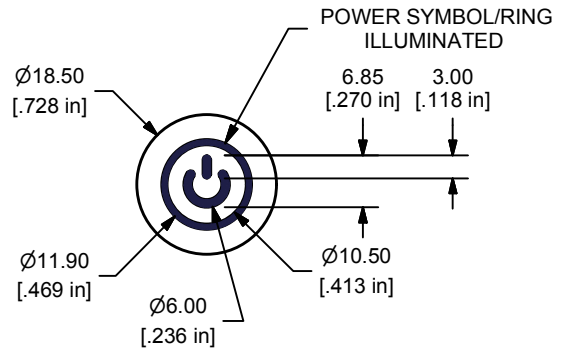
1

PVA6 SERIES ANTI-VANDAL SWITCH

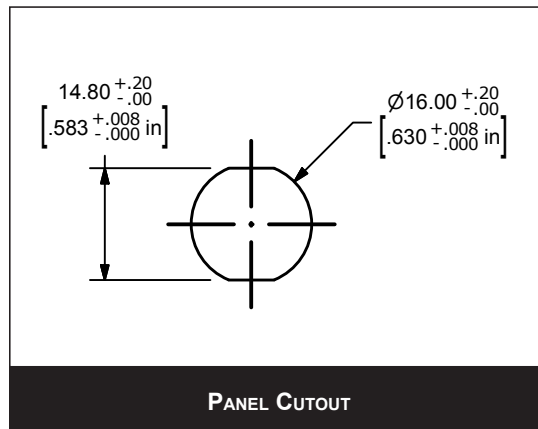
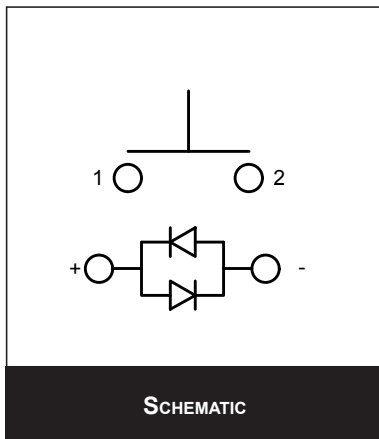
BODY DIMENSIONS ROUNDED BEZEL



RING ILLUMINATED

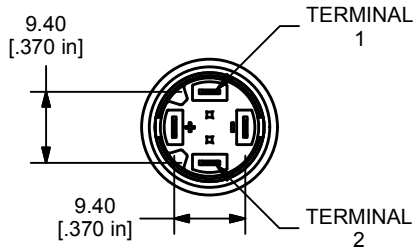
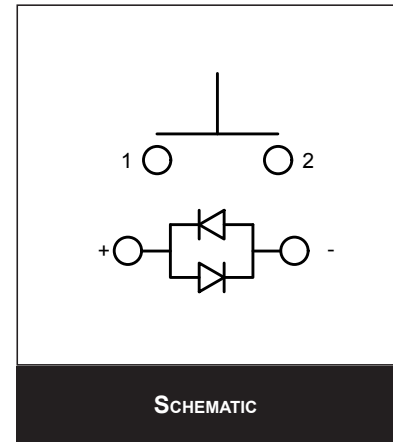
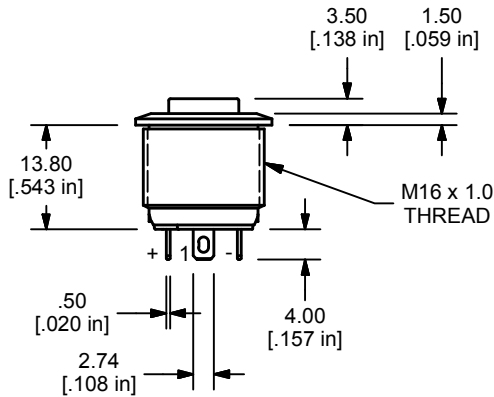
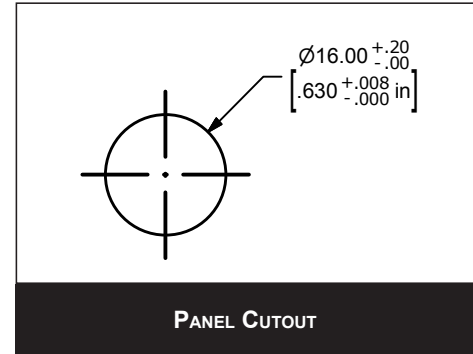
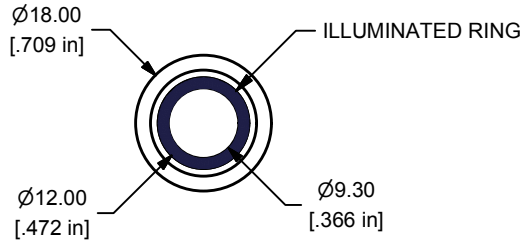


POWER SYMBOL/RING ILLUMINATED



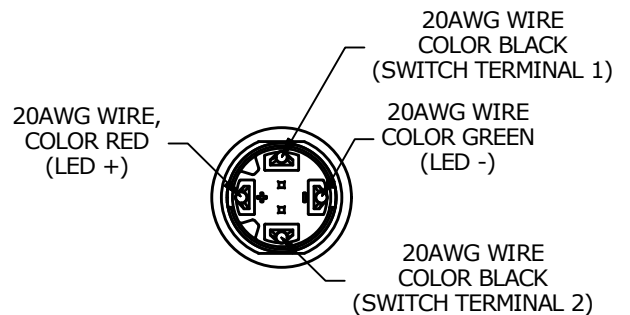
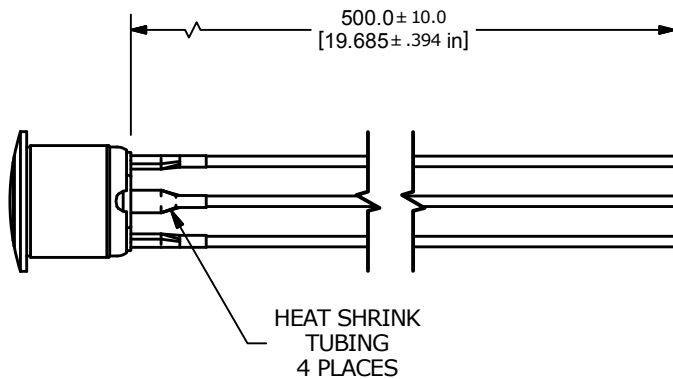
PVA6 SERIES ANTI-VANDAL SWITCH

BODY DIMENSIONS HIGH FLAT BEZEL



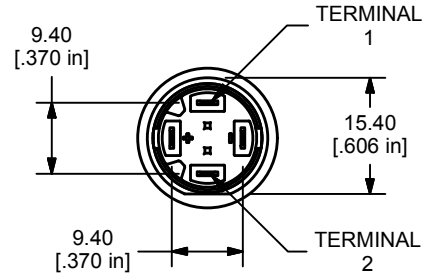
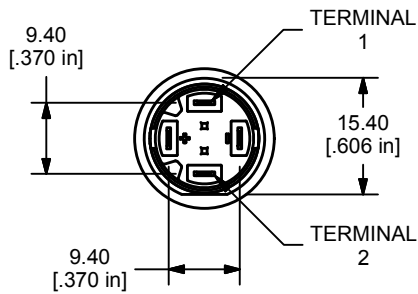
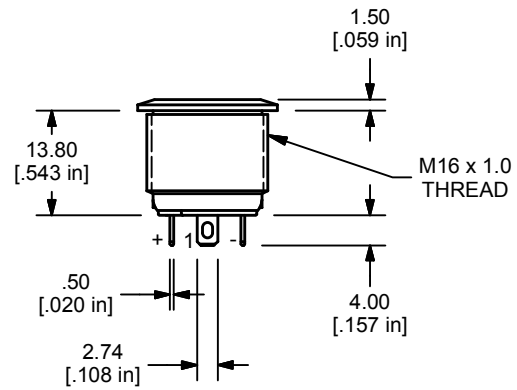
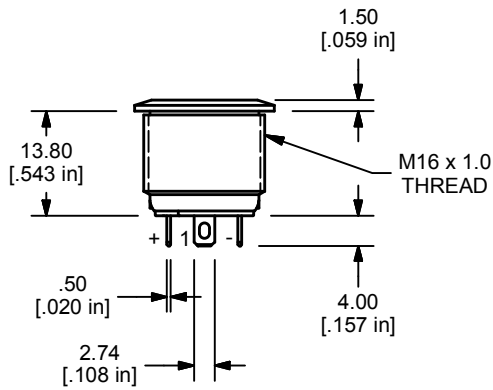
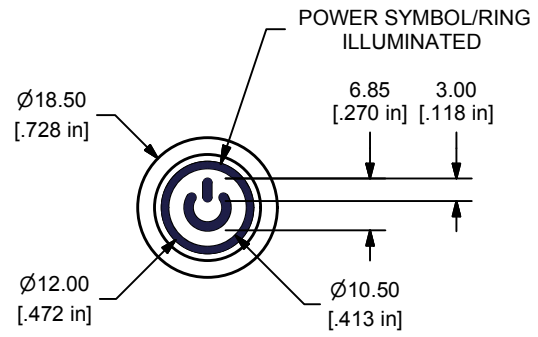
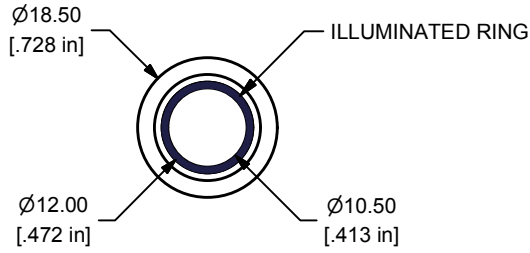
RING ILLUMINATED

WIRE LEADS



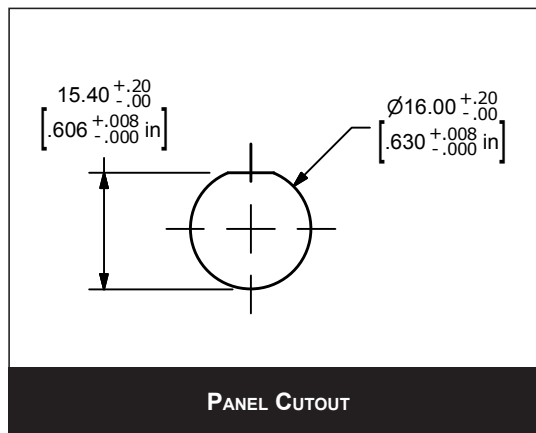
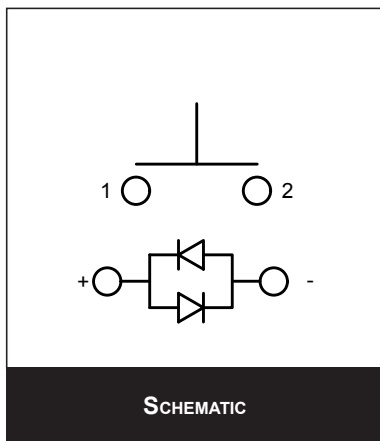
PVA6 SERIES ANTI-VANDAL SWITCH

BODY DIMENSIONS FLAT BEZEL



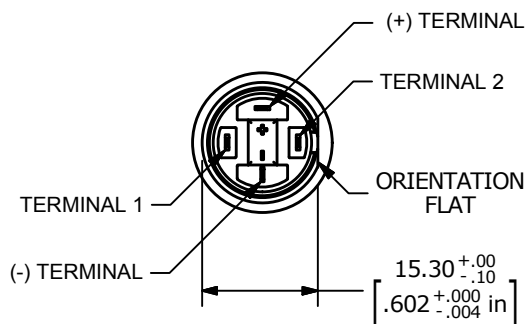
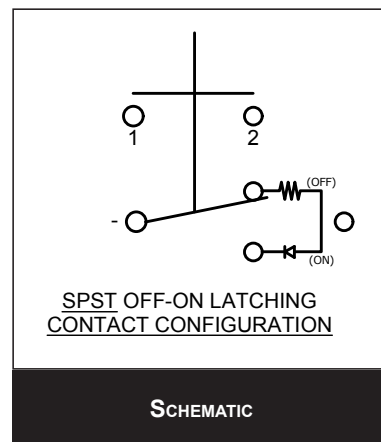
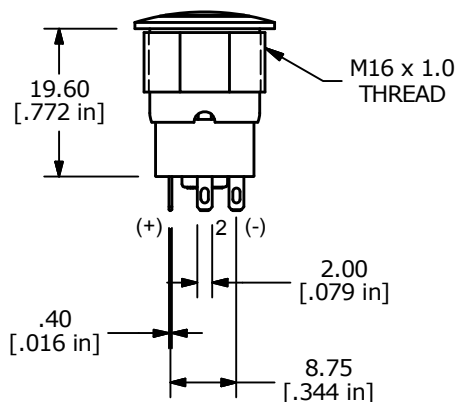
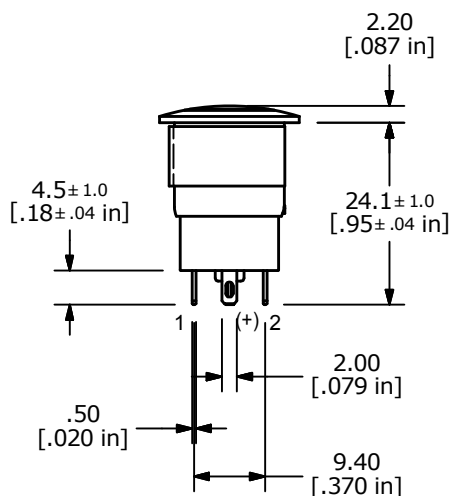
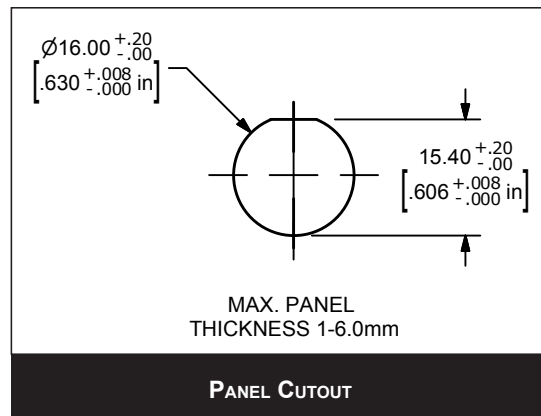
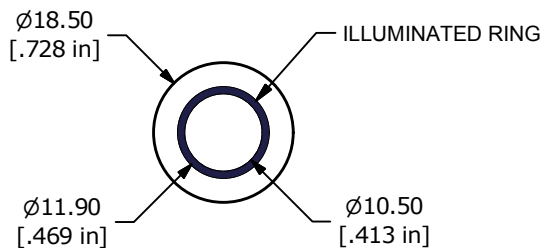
RING ILLUMINATED

POWER SYMBOL/RING ILLUMINATED



PVA6 SERIES ANTI-VANDAL SWITCH

BODY DIMENSIONS PVA6L ROUND BEZEL



X-ON Electronics

Largest Supplier of Electrical and Electronic Components

Click to view similar products for [Pushbutton Switches](#) category:

Click to view products by [E-Switch](#) manufacturer:

Other Similar products are found below :

[8940K2012](#) [LW1L-M1C10V-A](#) [LW1L-M1C70-A](#) [LW2L-A1C20M-GD](#) [LW2L-M1C20M-A](#) [60324L](#) [M22-D-R-GB0/K11](#) [M7E-HRN2](#)
[67021K512](#) [67081K512X](#) [701PB580](#) [7190K101](#) [7199K101](#) [810K12910](#) [810KSV30B](#) [MML21EA2ADK](#) [MML21KA3ABK](#)
[MML23KA3AC05K-001](#) [MML23KW3AA01W](#) [8418K2](#) [8442K3](#) [8450K1](#) [860K11911T01A](#) [861901](#) [861K11911T01A07](#)
[861K13810T00A14](#) [861K13911](#) [8646AB6X718UL](#) [8646ABUL](#) [9001KXRK](#) [907AYY100](#) [PMHD155A1](#) [95-313.000](#)
[9533CD4+U574+U4922](#) [95-414.000](#) [99-450.837](#) [99-453.837](#) [PV3H2B0NN-341](#) [1203MRA](#) [A22NZBGANGA](#) [A22NZBMMNGA](#)
[A22NZBNANGA](#) [A22NZMPATRA](#) [A2PMA1X03EC56](#) [A3A-5123-02](#) [A3A-7140](#) [A3A-7310](#) [A3A-7340](#) [A3U-TMW-A2C-5M](#) [A595](#)