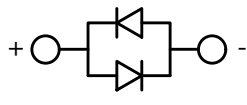
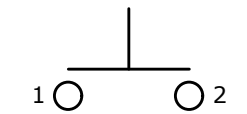


RECOMMENDED
PANEL CUT-OUT

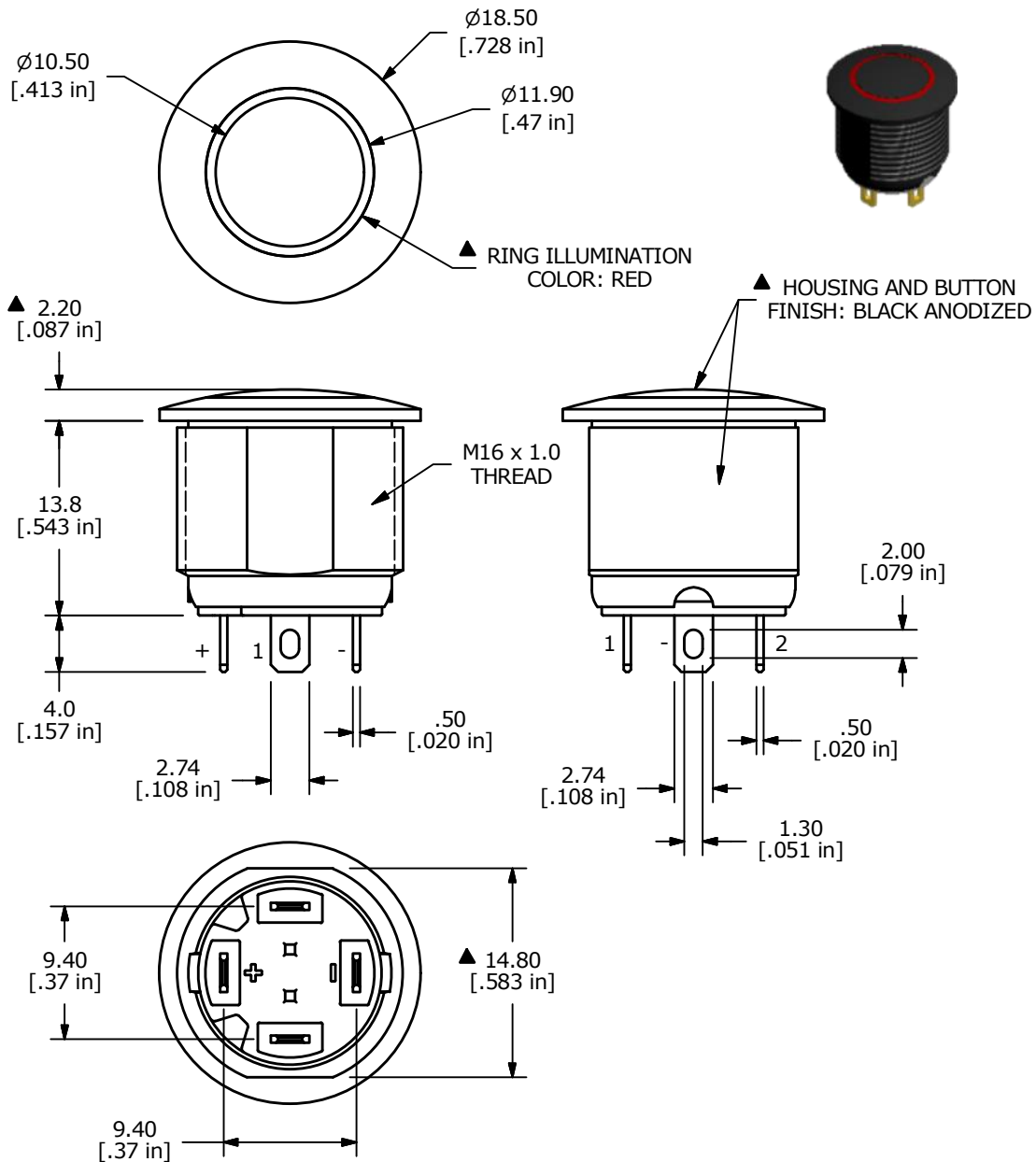


▲ SCHEMATIC
OFF - (ON)

() DENOTES MOMENTARY FUNCTION

NOTE:

1. ALL DIMENSIONS IN MM [INCH]
2. GENERAL TOLERANCE: X.X = ±0.4
X.XX = ±0.25
3. TERMINAL NUMBERS FOR REF ONLY
4. CONTACT MATERIAL: SILVER PLATED
5. RATING: 2A 36VDC
6. ELECTRIC LIFE: 200,000
7. INSULATION RESISTANCE: 1,000MΩ MIN @ 500VDC.
8. DIELECTRIC STRENGTH: 2,000VAC MIN. FOR 1 MINUTE
9. CONTACT RESISTANCE: 50mΩ MAX. @ 1A 12VDC
10. OPERATING TEMP.: -20°C to 70°C
11. TRAVEL: 2.0mm
12. ▲ DENOTES CRITICAL PARAMETER.
13. ILLUMINATION COLOR: RED
14. HARDWARE SUPPLIED: O-RING AND HEXNUT (NOT SHOWN)
- ▲ 15. ILLUMINATION VOLTAGE RATING: 1.7 - 2.5V @ 20 mA
16. 2011/65/EC (RHS) COMPLIANT
17. INGRESS PROTECTION: IP67



B	22631	update Note 15	12/21/16	MW
A	22517	New Release	9/21/16	rc
REV	PCR NO	DESCRIPTION	DATE	BY

TITLE PVA6RE24111				
SCALE	DATE	DR	DWG	REV
2:1	9/19/2016	rc	T960001	B

THE INFORMATION CONTAINED IN THIS DOCUMENT IS PROPRIETARY TO E-SWITCH AND IS NOT TO BE COPIED OR TRANSFERRED

X-ON Electronics

Largest Supplier of Electrical and Electronic Components

Click to view similar products for [Pushbutton Switches](#) category:

Click to view products by [E-Switch](#) manufacturer:

Other Similar products are found below :

[8940K2012](#) [LW1L-M1C10V-A](#) [LW1L-M1C70-A](#) [LW2L-A1C20M-GD](#) [LW2L-M1C20M-A](#) [60324L](#) [M22-D-R-GB0/K11](#) [M7E-HRN2](#)
[67021K512](#) [67081K512X](#) [701PB580](#) [7190K101](#) [7199K101](#) [810K12910](#) [810KSV30B](#) [MML21EA2ADK](#) [MML21KA3ABK](#)
[MML23KA3AC05K-001](#) [MML23KW3AA01W](#) [8418K2](#) [8442K3](#) [8450K1](#) [860K11911T01A](#) [861901](#) [861K11911T01A07](#)
[861K13810T00A14](#) [861K13911](#) [8646AB6X718UL](#) [8646ABUL](#) [9001KXRK](#) [907AYY100](#) [PMHD155A1](#) [95-313.000](#)
[9533CD4+U574+U4922](#) [95-414.000](#) [99-450.837](#) [99-453.837](#) [PV3H2B0NN-341](#) [1203MRA](#) [A22NZBGANGA](#) [A22NZBMMNGA](#)
[A22NZBNANGA](#) [A22NZMPATRA](#) [A2PMA1X03EC56](#) [A3A-5123-02](#) [A3A-7140](#) [A3A-7310](#) [A3A-7340](#) [A3U-TMW-A2C-5M](#) [A595](#)