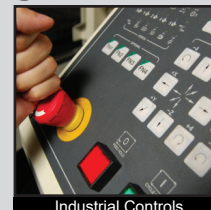
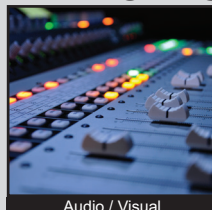


PVK4 SERIES ANTI-VANDAL SWITCH

ANTI-VANDAL SWITCHES
DETECTOR SWITCHES
DIP SWITCHES
KEYLOCK SWITCHES
NAVIGATION SWITCHES
PUSHBUTTON SWITCHES
ROCKER SWITCHES
ROTARY SWITCHES
SLIDE SWITCHES
SNAP ACTION SWITCHES
TACTILE SWITCHES
TOGGLE SWITCHES
CAP OPTIONS



APPLICATIONS / MARKETS



SPECIFICATIONS

Electrical Rating: 2A, 24VDC
Electrical Life: 50,000 Cycles
Contact Resistance: 50mΩ Max.
Insulation Resistance: 1000 MΩ Min. @500VDC
Dielectric Strength: 1,500VAC
Operating/Storage Temperature: -20°C to 55°C
Moisture Protection: IP40 (return)
 IP65 (maintain)
Contact Arrangement: SPDT, DPDT
Max. Panel Thickness: 10mm
Mounting Nut Torque: 0.8Nm

FEATURES & BENEFITS

- 19mm diameter panel cutout
- Keylock actuator option
- Selector arrow illumination available
- Multiple operating positions
- IP40 and IP65 rated
- SPDT & DPDT

PART NUMBER CONFIGURATOR

Series	Actuator	Terminal	Function	Operating Position	Rating	Body Finish	Actuator Finish	Contact Material	Lens Style	LED Color	Illumination Voltage
<input type="text" value="PVK4"/>	<input type="text" value="K - Keylock
S - Selector"/>	<input type="text" value="2 - Solder"/>	<input type="text" value="1 - SPDT
2 - DPDT"/>	<input type="text" value="A - 2 Position maintain On-On
B - 2 Position return On-(On)
C - 3 Position maintain On-On-On (DPDT) Function only
D - 3 Position return (On)-On-(On) (DPDT) Function only"/>	<input type="text" value="0 - 2A, 24VDC"/>	<input type="text" value="S - Stainless Steel"/>	<input type="text" value="S - Stainless Steel"/>	<input type="text" value="None - Silver
G - Gold"/>	<input type="text" value="NONE - Non-Illuminated
A - Selector Arrow Illumination (Selector Actuator Only)"/>	<input type="text" value="NONE - Non-Illuminated
0 - White
1 - Red
2 - Orange
3 - Green
4 - Blue
5 - Yellow"/>	<input type="text" value="NONE - Non-Illuminated
1 - Base Voltage
3 - 6V
4 - 12V
5 - 24V
6 - 125V
7 - 250V"/>

Specifications subject to change without notice 8.24.2022



E-SWITCH®

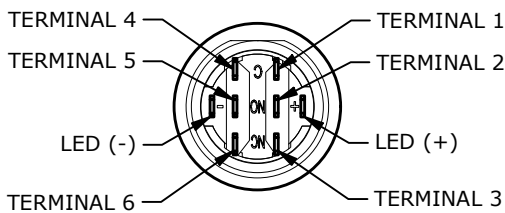
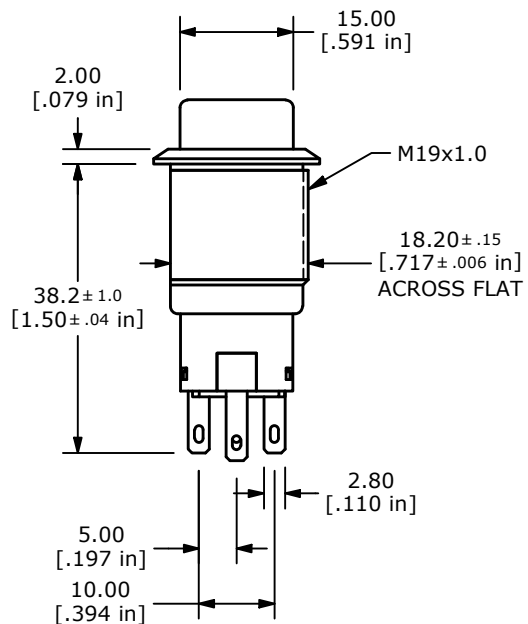
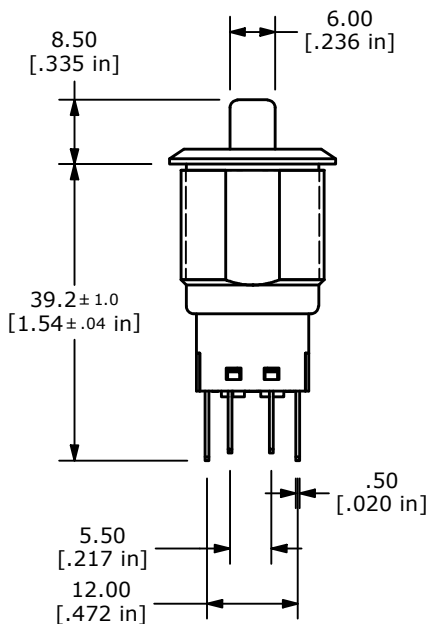
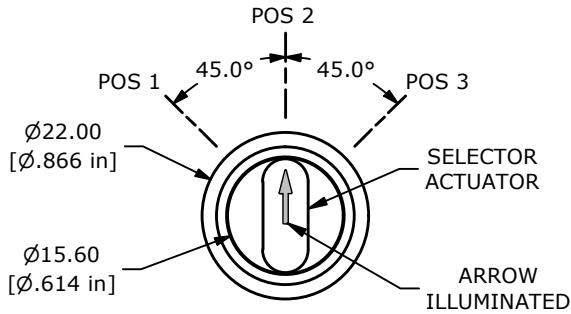
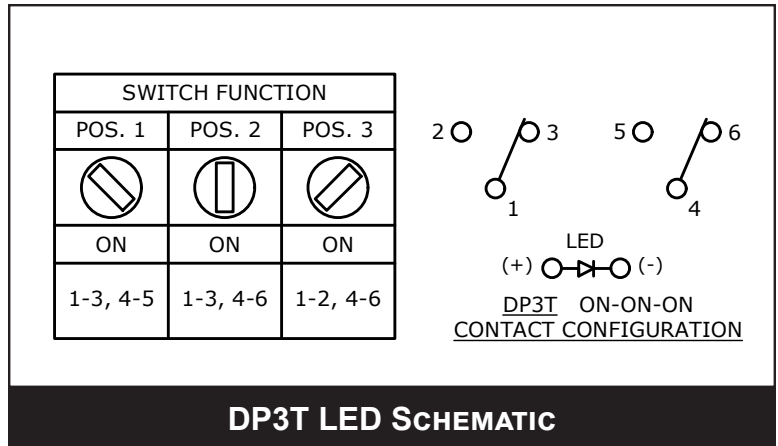
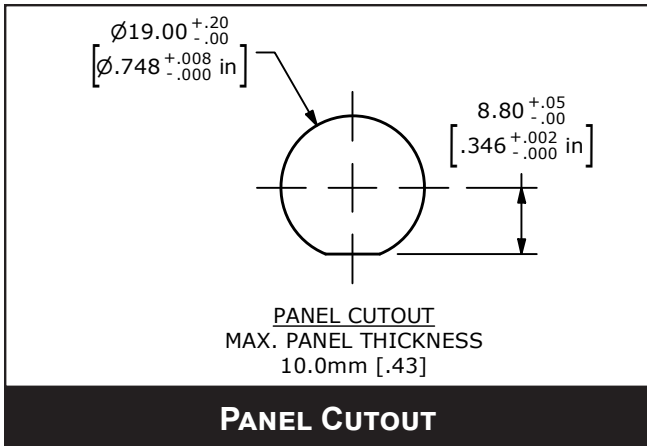
www.e-switch.com

800.867.2717

1

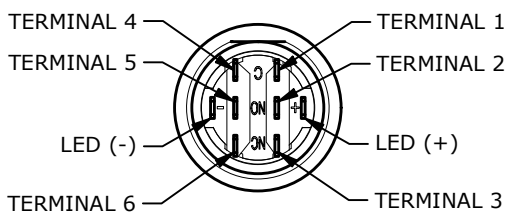
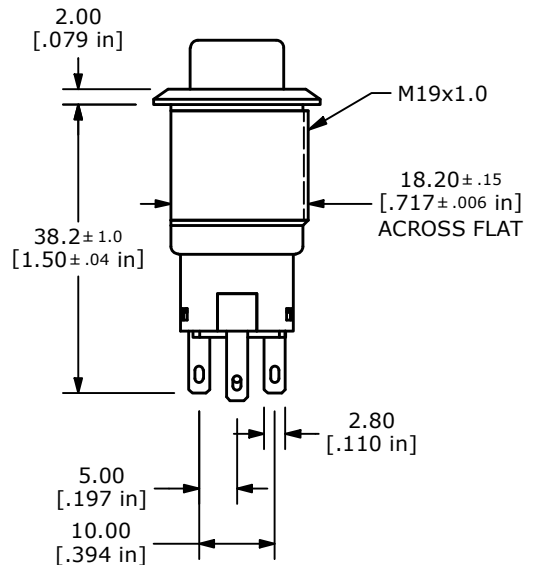
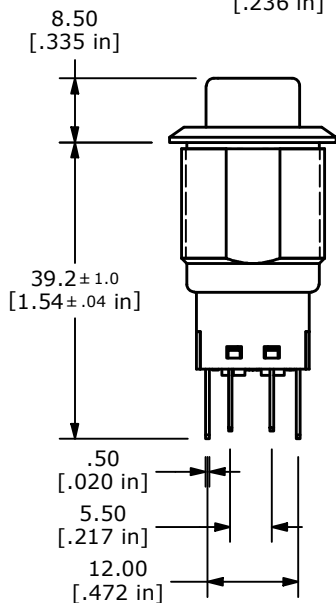
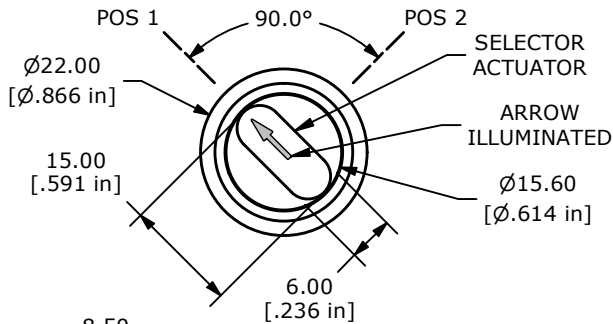
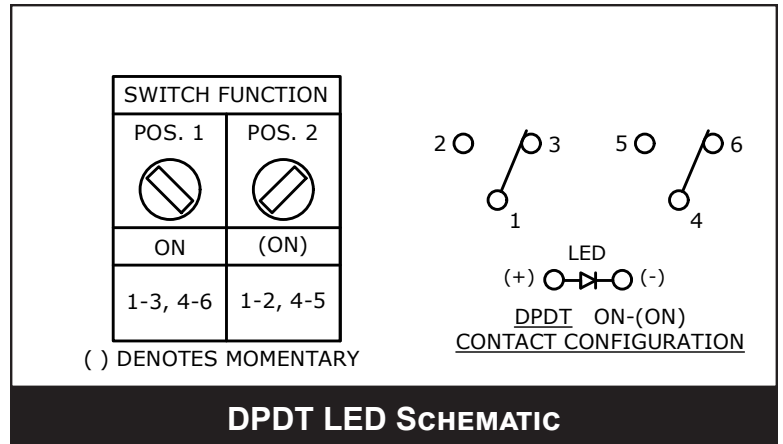
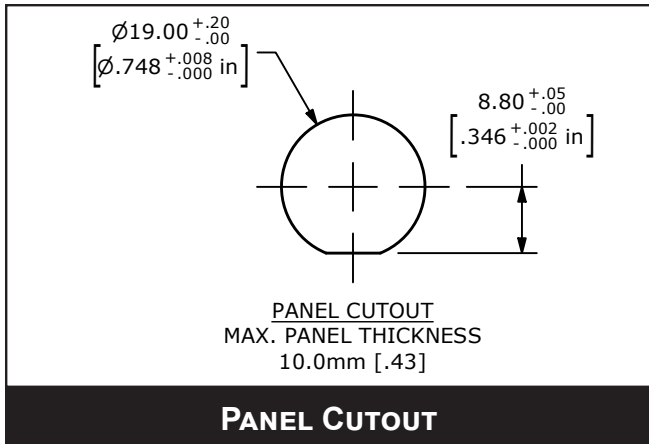
PVK4 SERIES ANTI-VANDAL SWITCH

BODY DIMENSIONS ILLUMINATED ARROW



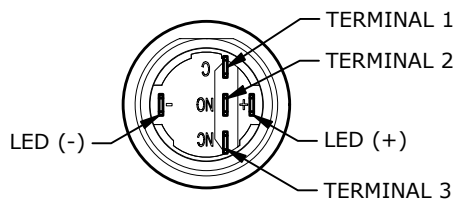
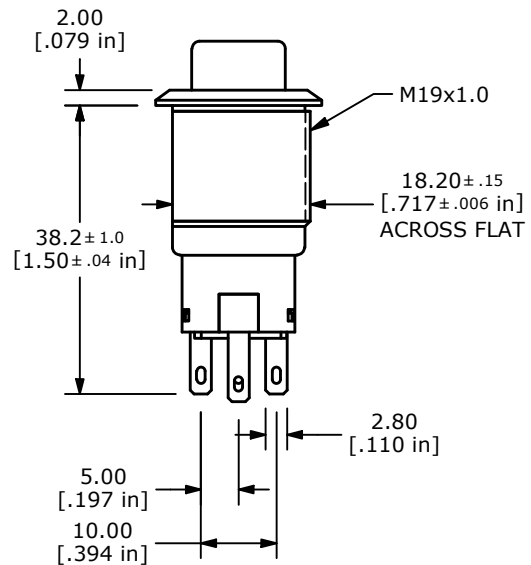
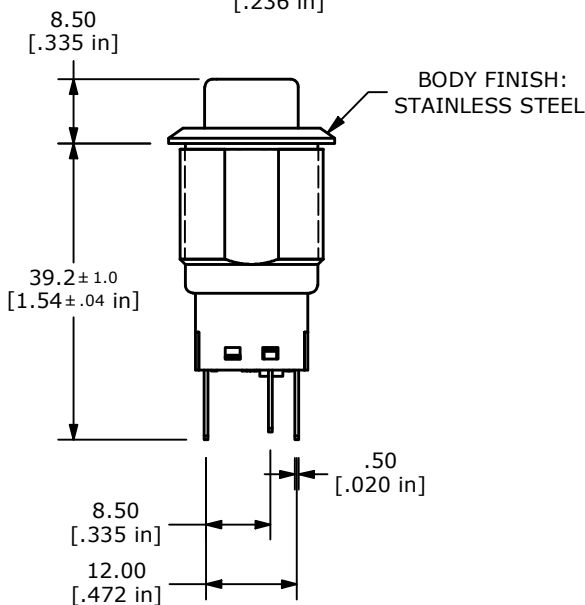
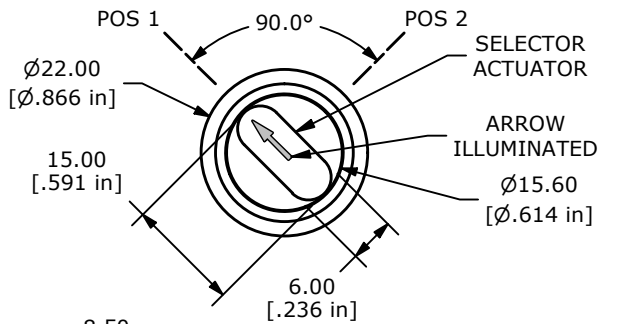
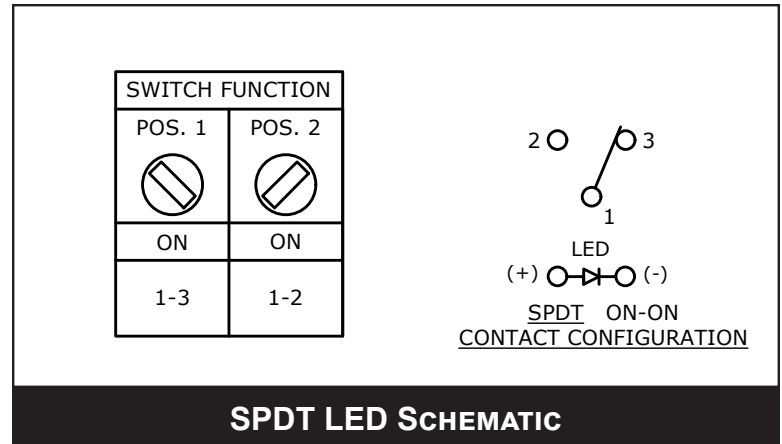
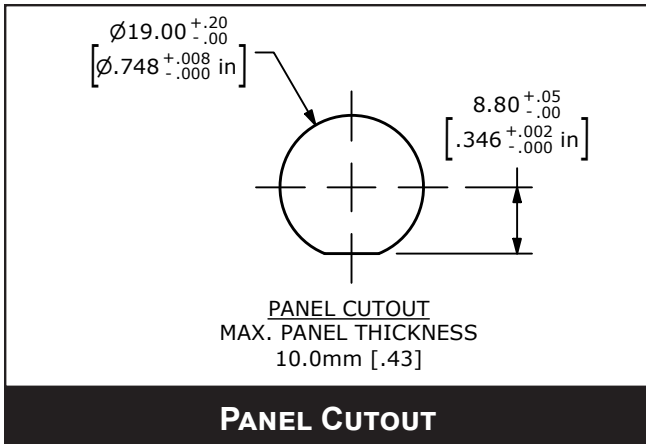
PVK4 SERIES ANTI-VANDAL SWITCH

BODY DIMENSIONS ILLUMINATED ARROW



PVK4 SERIES ANTI-VANDAL SWITCH

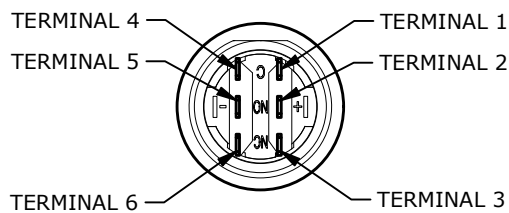
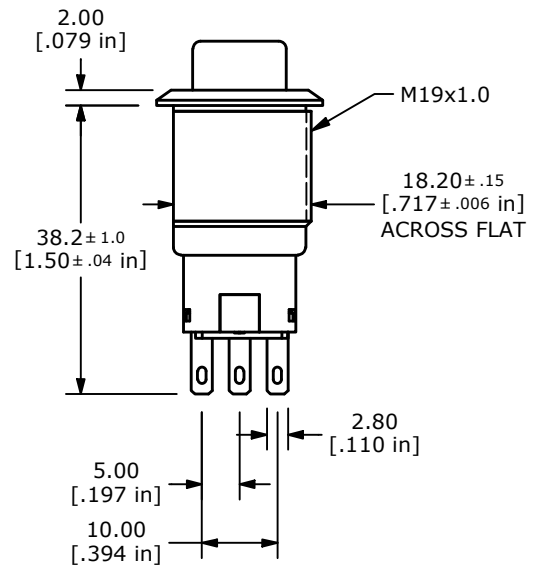
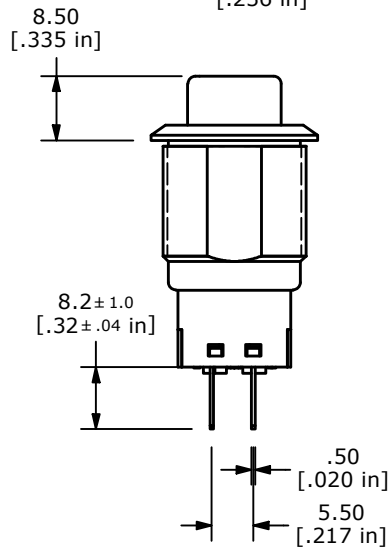
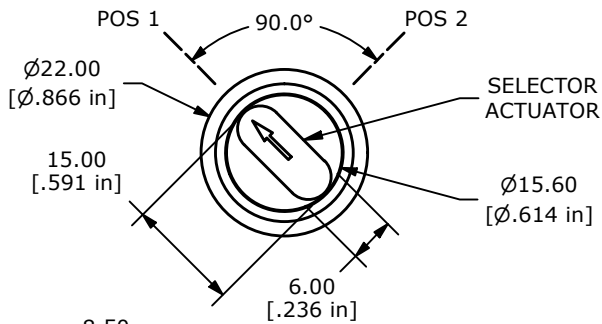
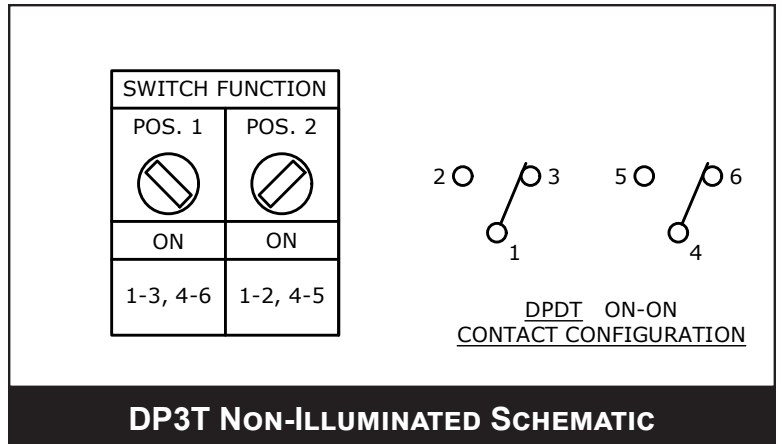
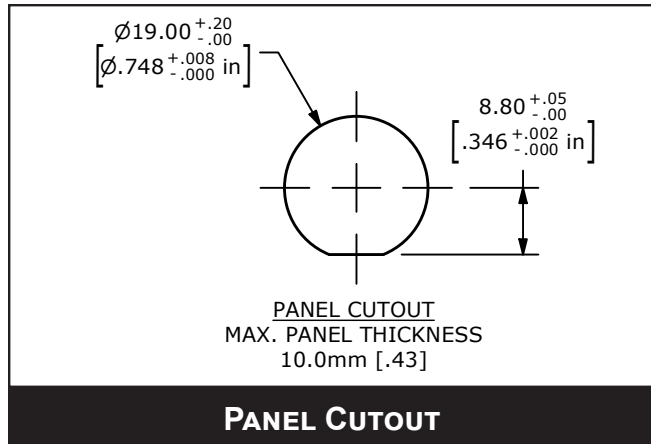
BODY DIMENSIONS ILLUMINATED ARROW



ANTI-VANDAL SWITCHES
DETECTOR SWITCHES
DIP SWITCHES
KEYLOCK SWITCHES
NAVIGATION SWITCHES
PUSHBUTTON SWITCHES
ROCKER SWITCHES
ROTARY SWITCHES
SLIDE SWITCHES
SNAP ACTION SWITCHES
TACTILE SWITCHES
TOGGLE SWITCHES
CAP OPTIONS

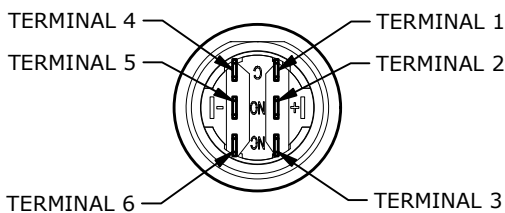
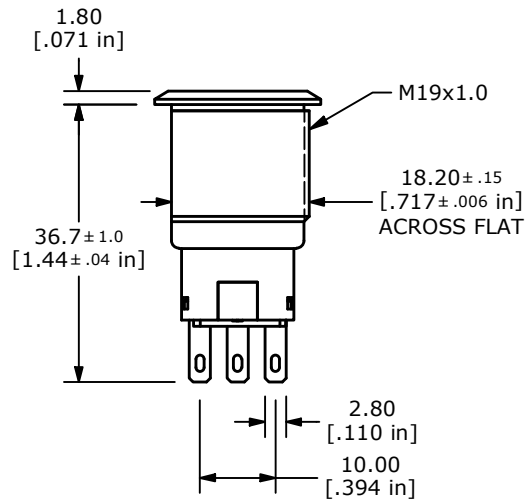
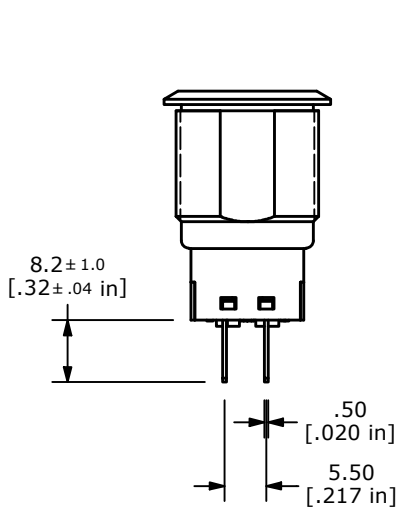
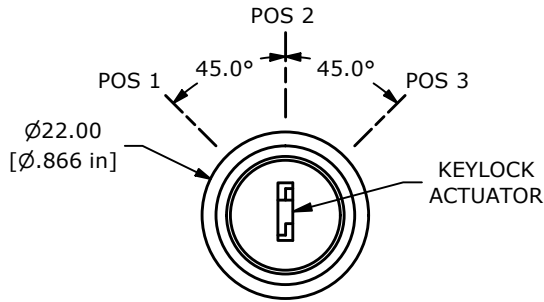
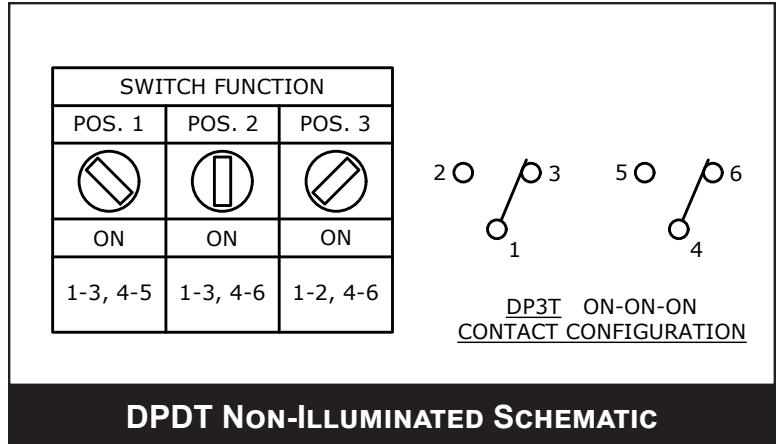
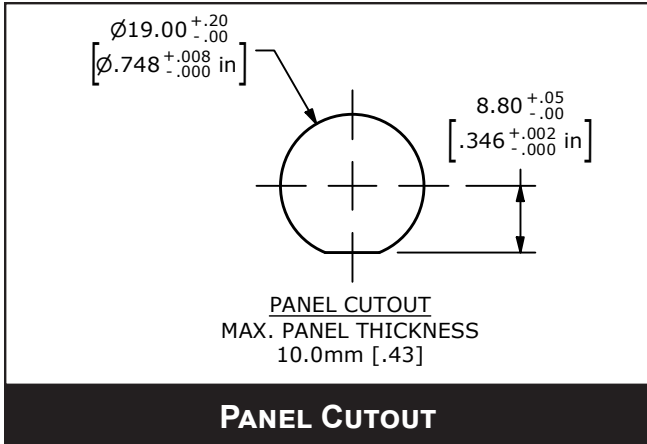
PVK4 SERIES ANTI-VANDAL SWITCH

BODY DIMENSIONS KEYLOCK SELECTOR



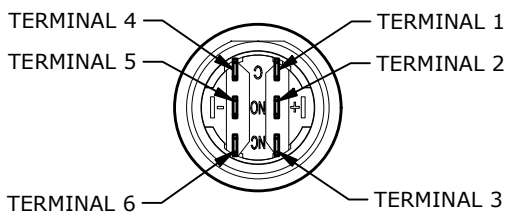
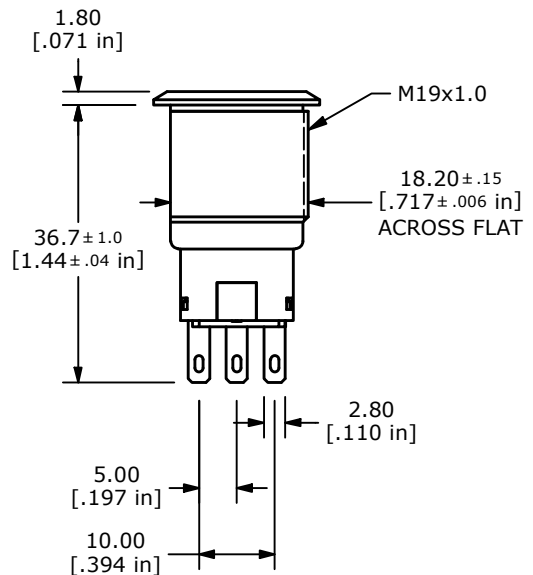
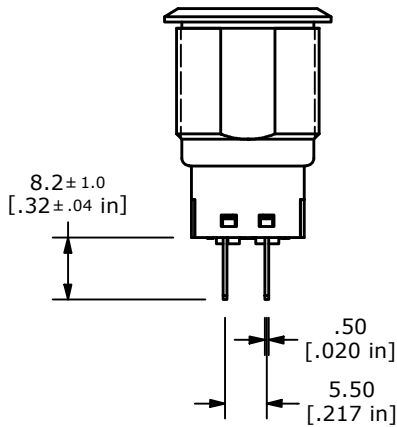
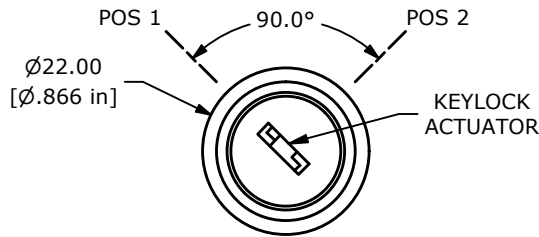
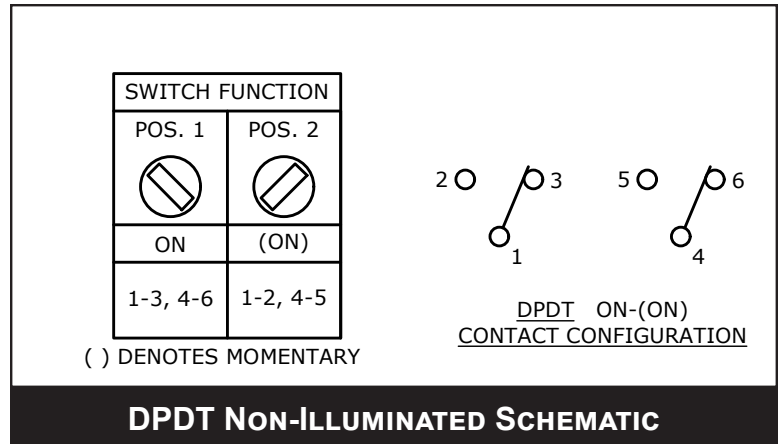
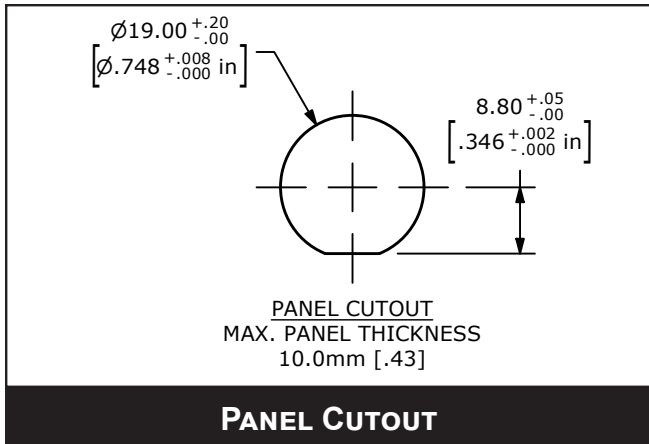
PVK4 SERIES ANTI-VANDAL SWITCH

BODY DIMENSIONS ARROW SELECTOR



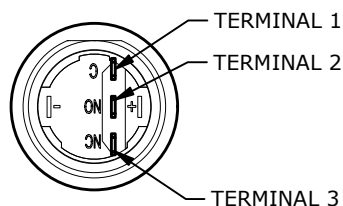
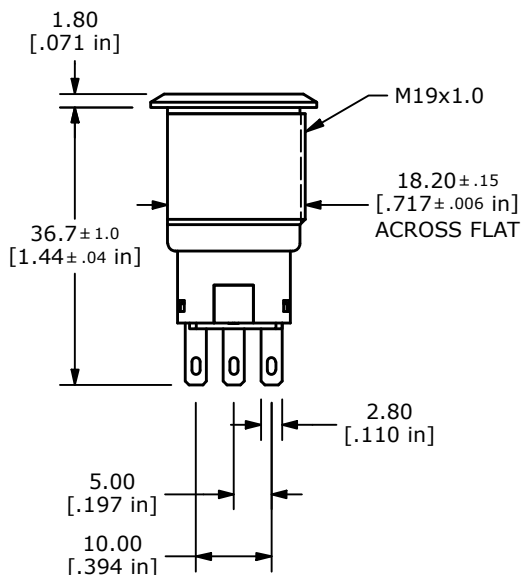
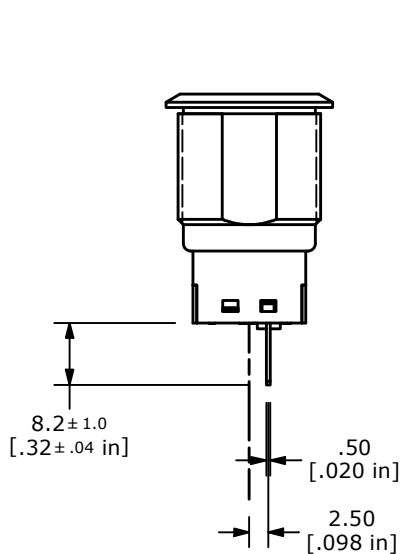
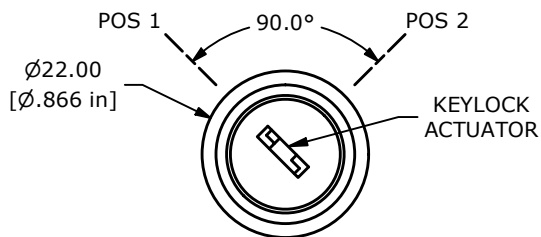
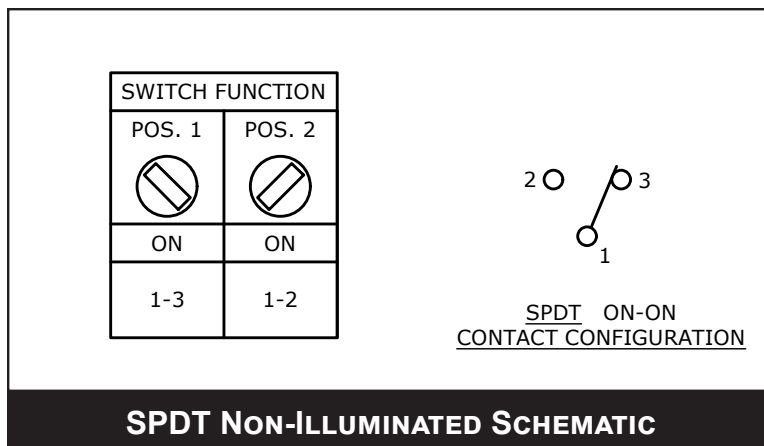
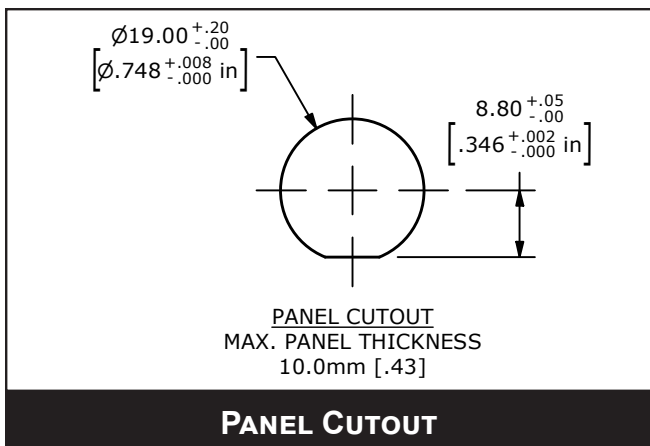
PVK4 SERIES ANTI-VANDAL SWITCH

BODY DIMENSIONS KEYLOCK SELECTOR



PVK4 SERIES ANTI-VANDAL SWITCH

BODY DIMENSIONS KEYLOCK SELECTOR



X-ON Electronics

Largest Supplier of Electrical and Electronic Components

Click to view similar products for [Keylock Switches](#) category:

Click to view products by [E-Switch](#) manufacturer:

Other Similar products are found below :

[89496-09](#) [58J1007](#) [58J8A45-01B05N](#) [58J9A90-01C02N](#) [719-0201-000](#) [719-0202-000](#) [719-0702-000](#) [719-5504-000](#) [84800-04](#) [88672-00](#)
[GKNC33L](#) [GKNC3L](#) [PVA2OAH5](#) [HA1K-2C2VA-2](#) [14-235.022K](#) [1571487-1](#) [KEY-AS6](#) [KH3C-20C](#) [8928K493](#) [2SWK131AL102](#) [51-401.036D](#) [51-414.036D](#) [HW1K-31BF20](#) [Y1112-2027CLFT](#) [51-155.025D](#) [51-195.025D](#) [51-378.AD](#) [1-1437597-8](#) [58J8A36-01B04N](#)
[58M1422](#) [86945-05](#) [719-0204-000](#) [719-0205-000](#) [719-0801-000](#) [719-0804-000](#) [719-0805-000](#) [88422-18](#) [58J8A90-01B02N](#) [58J8A90-01C02N](#) [58J9P36-01B09N](#) [58J8A36-01C03N](#) [GKRA3K1A2-F03-C](#) [51-295.025D](#) [14-236.025K1020](#) [51-411.036D](#) [58J9A60-01C02N](#) [51-197.025D](#) [51-382.022D](#) [CW4K-2AE20](#) [M81E0600](#)