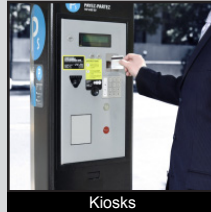


# PVL SERIES PILOT INDICATOR

ANTI-VANDAL SWITCHES  
DETECTOR SWITCHES  
DIP SWITCHES  
KEYLOCK SWITCHES  
NAVIGATION SWITCHES  
PUSHBUTTON SWITCHES  
ROCKER SWITCHES  
ROTARY SWITCHES  
SLIDE SWITCHES  
SNAP ACTION SWITCHES  
TACTILE SWITCHES  
TOGGLE SWITCHES  
CAP OPTIONS



## APPLICATIONS / MARKETS



**RoHS**

## SPECIFICATIONS

**Contact Arrangement:** Lamp indicator  
**Operating/Storage Temperature:** -25°C to 55°C  
**Lamp Life:** 40,000 Hours Nominal  
**Ingress Protection:** IP67  
**Panel Thickness:** 1-6mm or 1-10mm, (depending on mounting diameter)  
**Mounting Nut Torque:** 5-14Nm

## FEATURES & BENEFITS

- Pilot indicator light
- Multiple panel cutout sizes -- 6mm to 19mm dia.
- Multiple illumination voltage options
- Multiple LED color options
- IP67 rated

## PART NUMBER CONFIGURATOR

Series	Indicator Diameter	Lens	Terminal	Body Finish	Lens Color	Illumination Voltage
<input type="checkbox"/> <input type="checkbox"/> <input type="checkbox"/> PVL	<input type="checkbox"/> <input type="checkbox"/> 06 - 6mm Dia. 08 - 8mm Dia. 10 - 10mm Dia. 12 - 12mm Dia. 14 - 14mm Dia. 16 - 16mm Dia. 19 - 19mm Dia.	<input type="checkbox"/> F - Flat	<input type="checkbox"/> L - Solder Lug	<input type="checkbox"/> S - Stainless Steel 1 - Black	<input type="checkbox"/> 1 - Red 3 - Green 4 - Blue	<input type="checkbox"/> 1 - Base Voltage* 3 - 6V 4 - 12V 5 - 24V 6 - 110V

**NOTES:**

\* Base voltage on LEDs:  
 1.8V @ 20mA for Red, Yellow and Orange LED colors  
 2.8V @ 20mA for Blue, Green and White LED colors

*Specifications subject to change without notice*



**E-SWITCH®**

www.e-switch.com

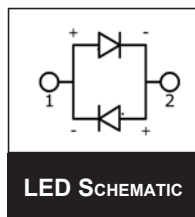
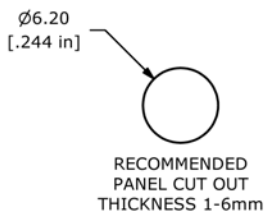
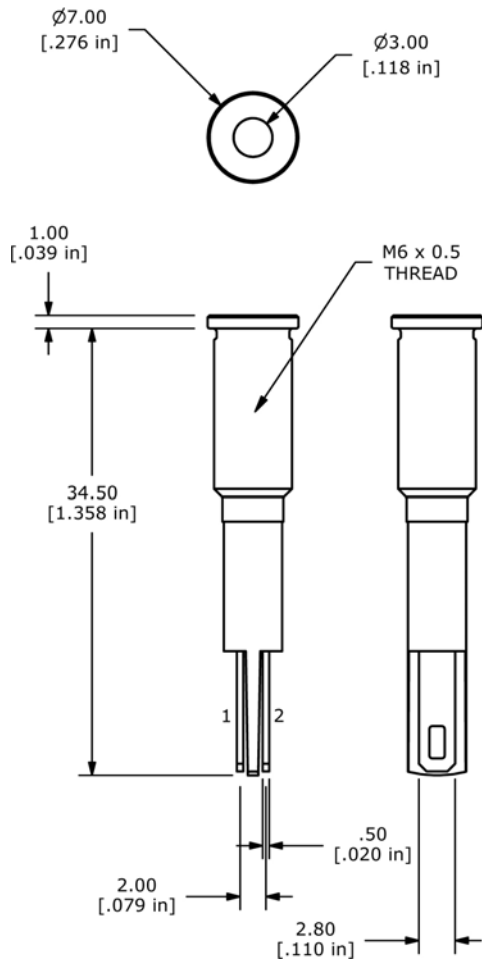
800.867.2717

2

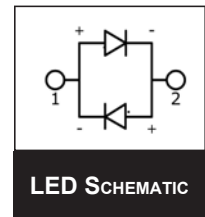
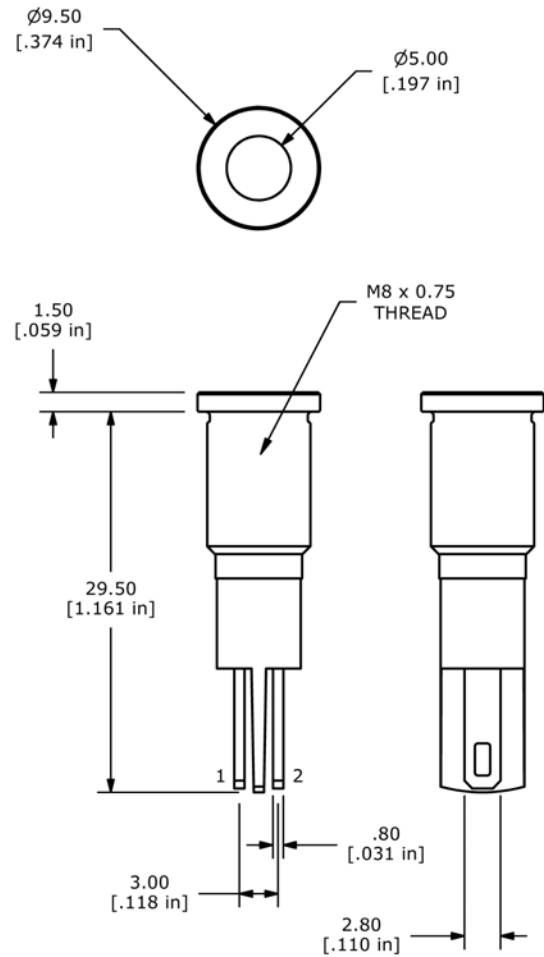
# PVL SERIES PILOT INDICATOR

## BODY DIMENSIONS

PVL06



PVL08



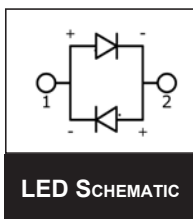
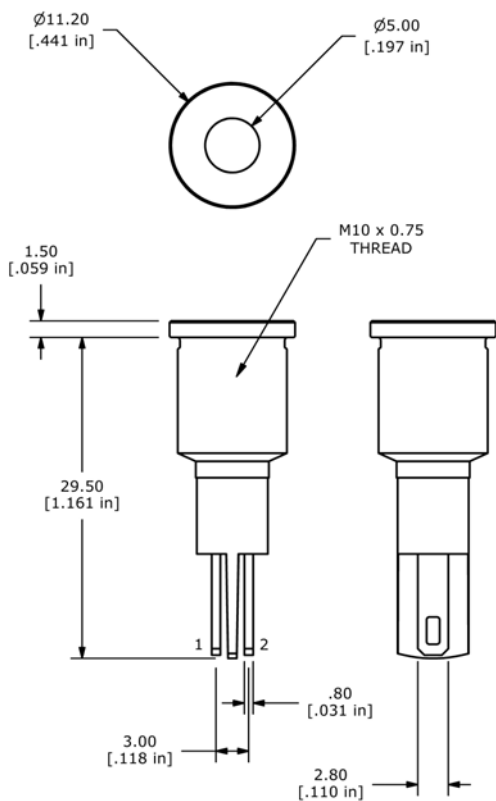
- ANTI-VANDAL SWITCHES
- DETECTOR SWITCHES
- DIP SWITCHES
- KEYLOCK SWITCHES
- NAVIGATION SWITCHES
- PUSHBUTTON SWITCHES
- ROCKER SWITCHES
- ROTARY SWITCHES
- SLIDE SWITCHES
- SNAP ACTION SWITCHES
- TACTILE SWITCHES
- TOGGLE SWITCHES
- CAP OPTIONS



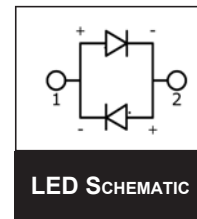
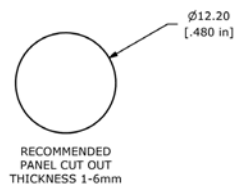
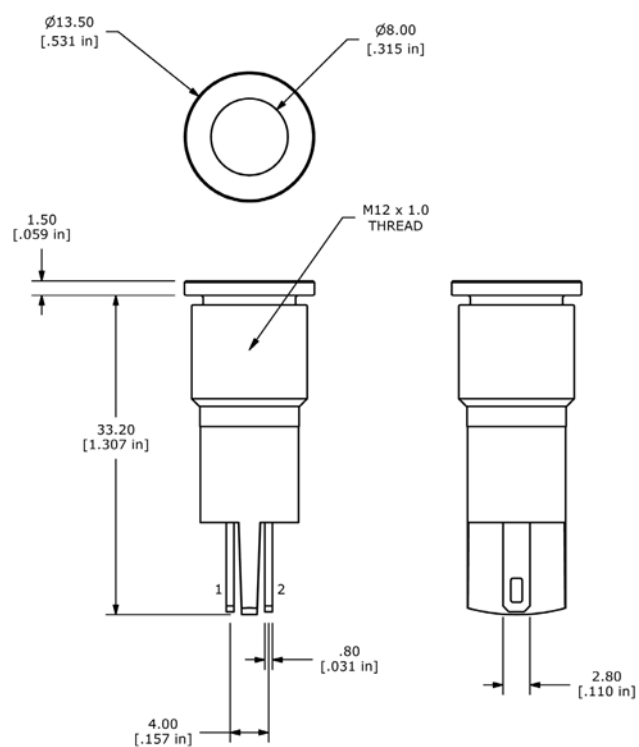
# PVL SERIES PILOT INDICATOR

## BODY DIMENSIONS

PVL10



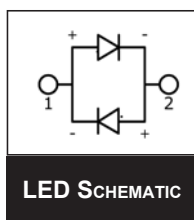
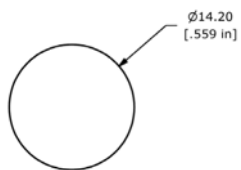
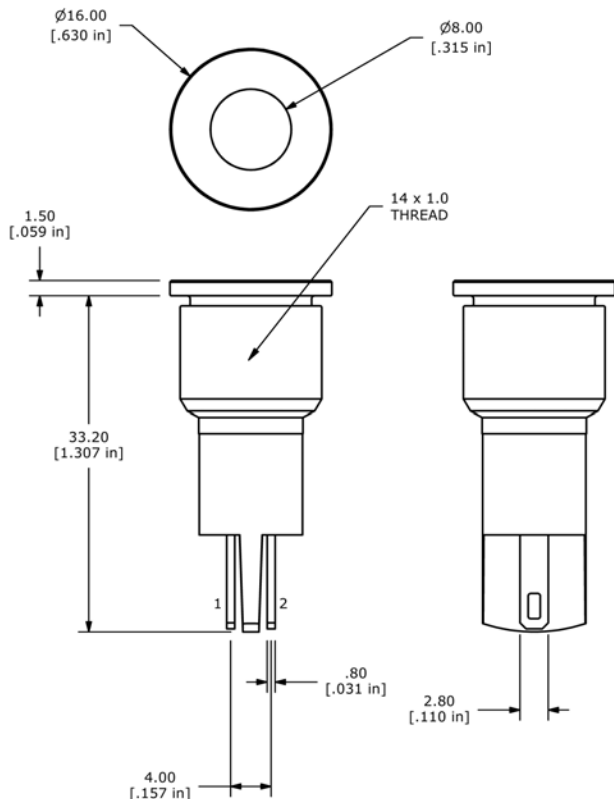
PVL12



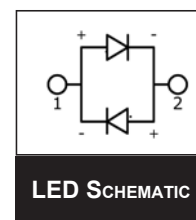
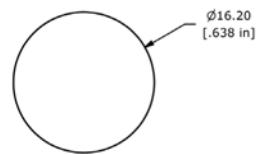
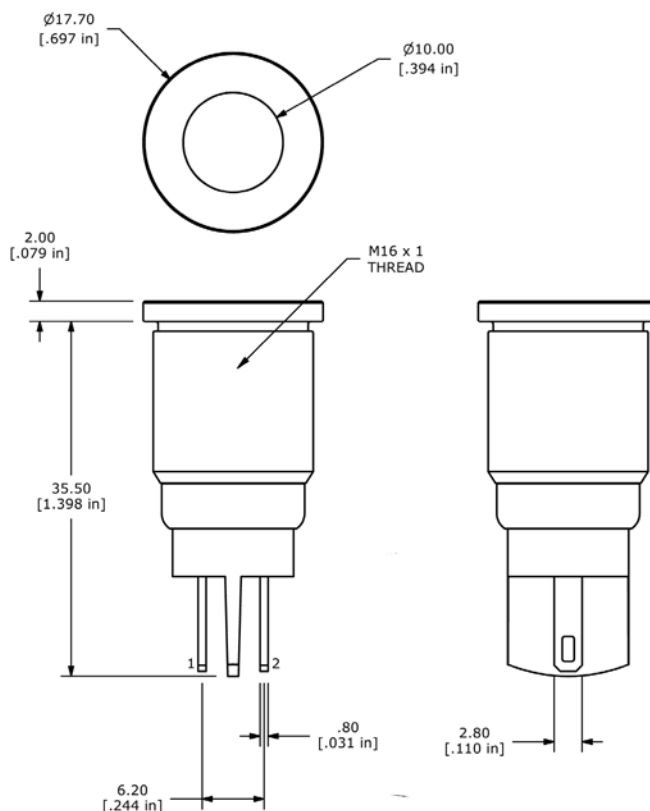
# PVL SERIES PILOT INDICATOR

## BODY DIMENSIONS

PVL14



PVL16



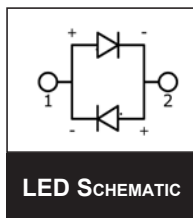
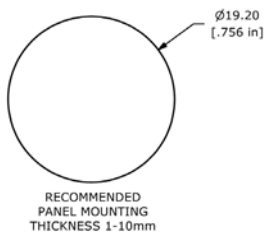
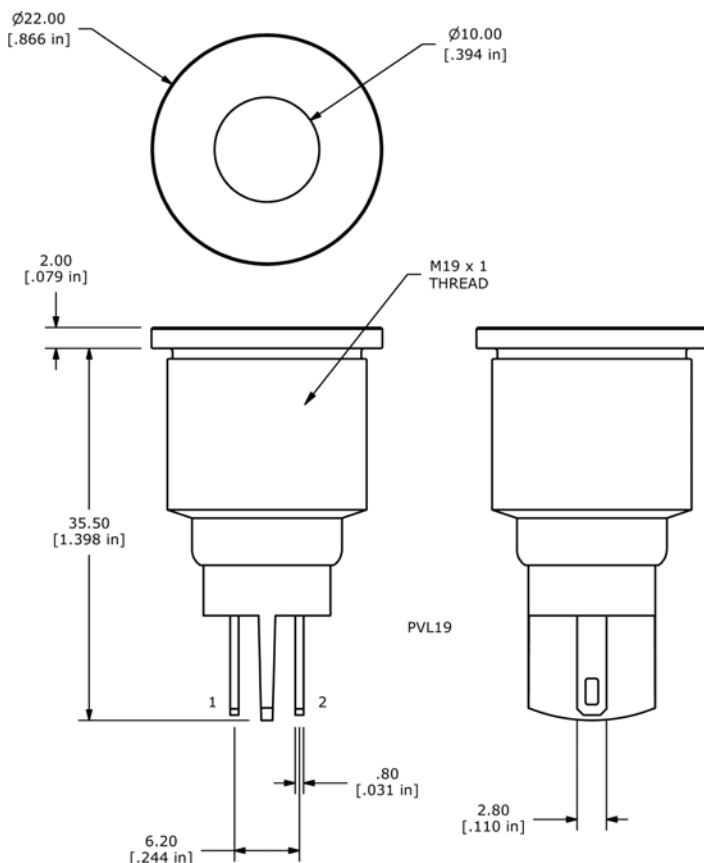
- ANTI-VANDAL SWITCHES
- DETECTOR SWITCHES
- DIP SWITCHES
- KEYLOCK SWITCHES
- NAVIGATION SWITCHES
- PUSHBUTTON SWITCHES
- ROCKER SWITCHES
- ROTARY SWITCHES
- SLIDE SWITCHES
- SNAP ACTION SWITCHES
- TACTILE SWITCHES
- TOGGLE SWITCHES
- CAP OPTIONS



# PVL SERIES PILOT INDICATOR

## BODY DIMENSIONS

PVL19



- ANTI-VANDAL SWITCHES
- DETECTOR SWITCHES
- DIP SWITCHES
- KEYLOCK SWITCHES
- NAVIGATION SWITCHES
- PUSHBUTTON SWITCHES
- ROCKER SWITCHES
- ROTARY SWITCHES
- SLIDE SWITCHES
- SNAP ACTION SWITCHES
- TACTILE SWITCHES
- TOGGLE SWITCHES
- CAP OPTIONS



## X-ON Electronics

Largest Supplier of Electrical and Electronic Components

*Click to view similar products for [Industrial Panel Mount Indicators / Switch Indicators](#) category:*

*Click to view products by [E-Switch](#) manufacturer:*

Other Similar products are found below :

[LW1A-P1-GD](#) [LW1A-P1-W](#) [01-931.3](#) [01-152.025](#) [73.362.4028.0](#) [750-1520](#) [9001OA120](#) [A0142N5](#) [A3DT-500Y](#) [AL6M-LK3-R](#) [AL6M-P7P-A](#) [AOLQW-2B0600](#) [AP1M255-A](#) [APD106LN-G](#) [APD106LN-S](#) [APN1126-G](#) [APS122DN-W](#) [ASLWLD-G](#) [ASLWLD-R](#) [ATN2100](#) [AYLW4L-A](#) [18-237.035](#) [HW1A-L1-GD](#) [HW1A-P2-GL](#) [HW1X-BM411-R](#) [HW2A-L1-GL](#) [HW2A-P1-GD](#) [HWAZ1N-OB](#) [PA2100/2](#) [PA2200/1](#) [PA2SHIELD](#) [LA3P-1C03V-Y](#) [96-923.5](#) [A0244J2](#) [LSPD-120A](#) [LSPD-1Y](#) [LSPD-6A](#) [LSPD-6DA](#) [LSPD-6DW](#) [LSPD-6DY](#) [LSPD-6R](#) [LSPD-6W](#) [AL6H-LK3-A](#) [AL6H-P4-JW](#) [AL6M-LK1-MG](#) [AP8M155-G](#) [APD106LN-W](#) [APN106L-O](#) [21-931.9](#) [25.168.0553.0](#)