

PVP SERIES ANTI-VANDAL SWITCH ADAPTERS

ANTI-VANDAL SWITCHES
 DETECTOR SWITCHES
 DIP SWITCHES
 KEYLOCK SWITCHES
 NAVIGATION SWITCHES
 PUSHBUTTON SWITCHES
 ROCKER SWITCHES
 ROTARY SWITCHES
 SLIDE SWITCHES
 SNAP ACTION SWITCHES
 TACTILE SWITCHES
 TOGGLE SWITCHES
 CAP OPTIONS



APPLICATIONS / MARKETS



RoHS

FEATURES & BENEFITS

- PVP3 both socket and wired socket adapters are compatible with PV3 Series switches featuring SPDT, DPDT, non illuminated, or LED illuminated options
- PVP4 both socket and wired socket adapters are compatible with PV4 Series switches featuring SPDT, DPDT, non illuminated, or LED illuminated options
- PVP7 both socket and wired socket adapters are compatible with PV7 Series switches featuring DPDT non illuminated, or LED illuminated options
- PVP8 wired socket adapters are compatible with PV8, PV9, and PV10 Series switches featuring SPDT, DPDT, non illuminated, or LED illuminated options
- Wire, 22 AWG AWM UL1007
- Wire length 140.0 [5.5 in]

PART NUMBER CONFIGURATOR

Series	Anti-Vandal Options	Terminal Options	Circuit Options	Illumination Options
<input type="checkbox"/> <input type="checkbox"/> <input type="checkbox"/> PVP	<input type="checkbox"/> 3 - PV3 4 - PV4 7 - PV7* 8 - PV8, PV9, PV10**	<input type="checkbox"/> S - Socket** W - Wire Leads 140mm long	<input type="checkbox"/> S - SPDT D - DPDT*	<input type="checkbox"/> N - Non Illuminated 3 - LED Illuminated
NOTES: *DPDT circuit option unavailable for the Anti-Vandal Option 7 - PV7 **Socket terminal option unavailable for Anti-Vandal Option 8 - PV8, PV9, PV10				

Specifications subject to change without notice 5.2.2019



E-SWITCH®

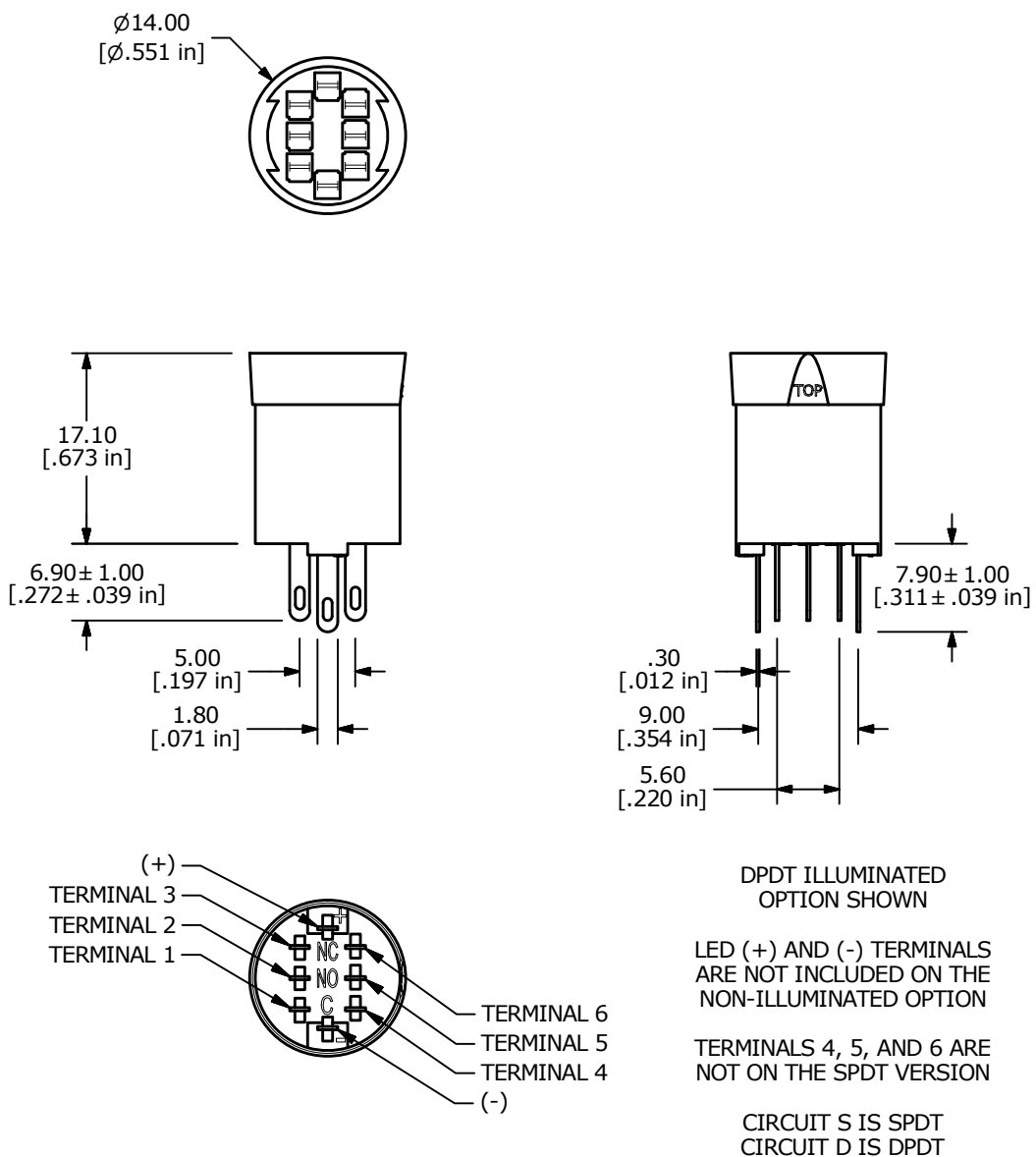
www.e-switch.com

800.867.2717

1

PVP SERIES ANTI-VANDAL SWITCH ADAPTERS

PVP3 ADAPTER



ANTI-VANDAL SWITCHES

DETECTOR SWITCHES

DIP SWITCHES

KEYLOCK SWITCHES

NAVIGATION SWITCHES

PUSHBUTTON SWITCHES

ROCKER SWITCHES

ROTARY SWITCHES

SLIDE SWITCHES

SNAP ACTION SWITCHES

TACTILE SWITCHES

TOGGLE SWITCHES

CAP OPTIONS



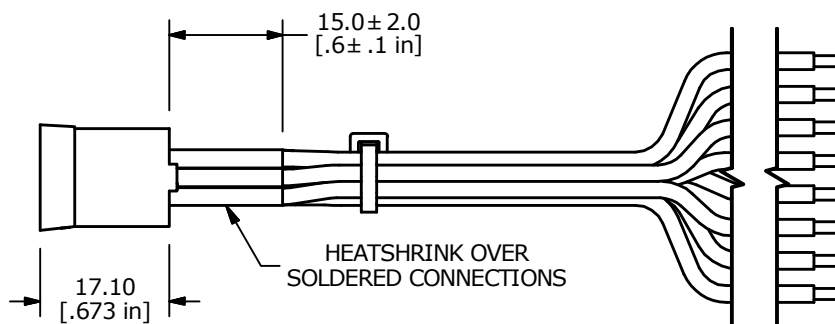
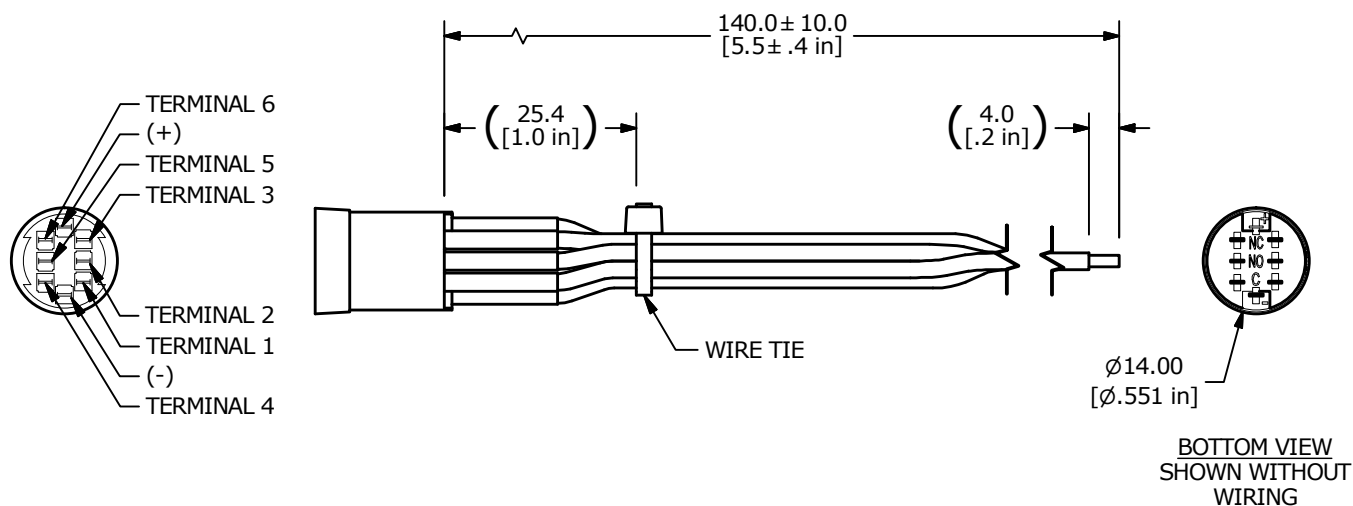
PVP SERIES ANTI-VANDAL SWITCH ADAPTERS

PVP3 WIRED ADAPTER

- ANTI-VANDAL SWITCHES
- DETECTOR SWITCHES
- DIP SWITCHES
- KEYLOCK SWITCHES
- NAVIGATION SWITCHES
- PUSHBUTTON SWITCHES
- ROCKER SWITCHES
- ROTARY SWITCHES
- SLIDE SWITCHES
- SNAP ACTION SWITCHES
- TACTILE SWITCHES
- TOGGLE SWITCHES
- CAP OPTIONS

ADAPTER	WIRE	LENGTH
SW1-1	WIRE, 22 AWG AWM UL1007, YELLOW	140.0 [5.5 in]
SW1-2	WIRE, 22 AWG AWM UL1007, BLUE	140.0 [5.5 in]
SW1-3	WIRE, 22 AWG AWM UL1007, GREEN	140.0 [5.5 in]
SW1-4	WIRE, 22 AWG AWM UL1007, PURPLE	140.0 [5.5 in]
SW1-5	WIRE, 22 AWG AWM UL1007, ORANGE	140.0 [5.5 in]
SW1-6	WIRE, 22 AWG AWM UL1007, WHITE	140.0 [5.5 in]
SW1- (+)	WIRE, 22 AWG AWM UL1007, RED	140.0 [5.5 in]
SW1- (-)	WIRE, 22 AWG AWM UL1007, BLACK	140.0 [5.5 in]

** WIRE LEADS PROVIDED ARE DEPENDANT ON THE FUNCTION AND/OR **
ILLUMINATION SELECTED



DPDT ILLUMINATED OPTION SHOWN

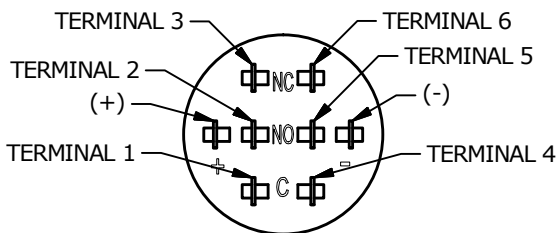
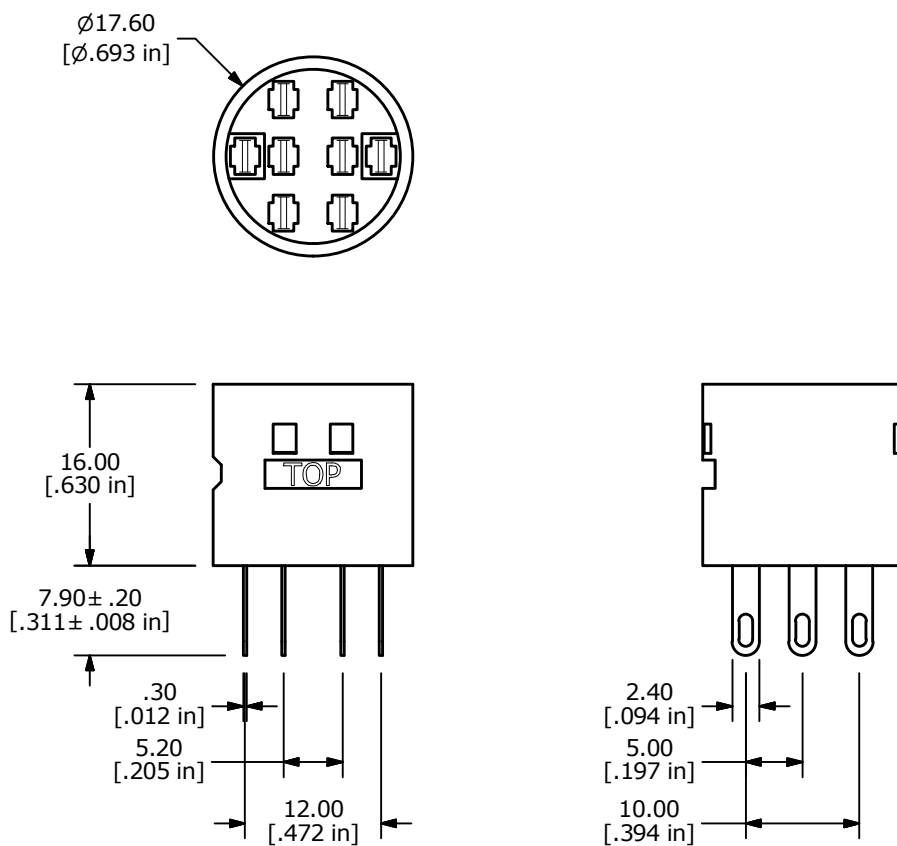
LED (+) AND (-) TERMINALS/WIRING ARE NOT INCLUDED ON THE
NON ILLUMINATED OPTION

TERMINALS/WIRING 4, 5, AND 6 ARE NOT ON THE SPDT VERSION



PVP SERIES ANTI-VANDAL SWITCH ADAPTERS

PVP4 ADAPTER



DPDT ILLUMINATED
OPTION SHOWN

LED (+) AND (-) TERMINALS
ARE NOT INCLUDED ON THE
NON-ILLUMINATED OPTION

TERMINALS 4, 5, AND 6 ARE
NOT ON THE SPDT VERSION

CIRCUIT S IS SPDT
CIRCUIT D IS DPDT

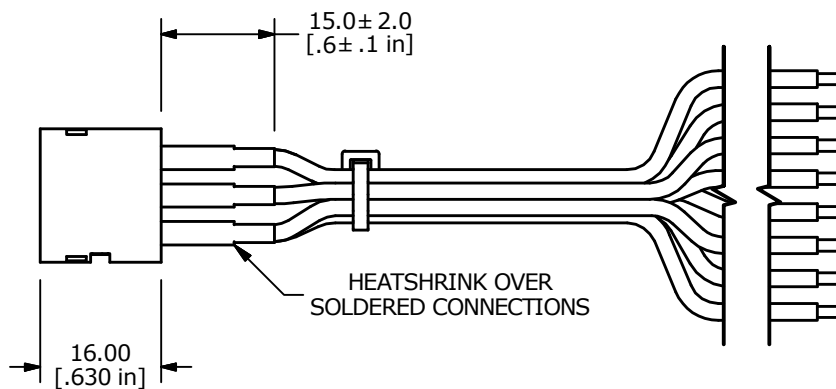
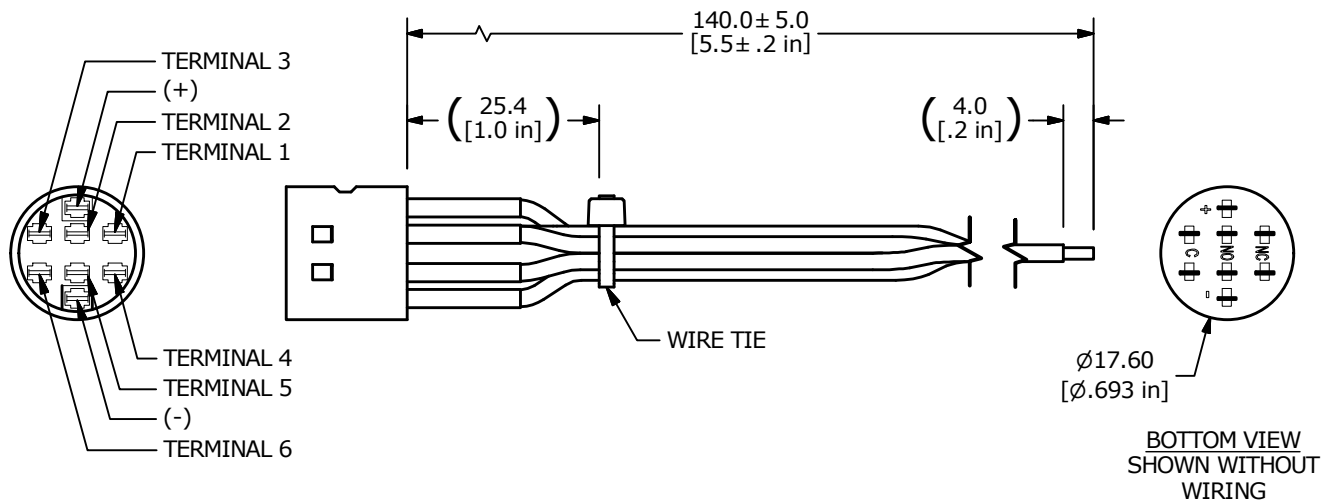


PVP SERIES ANTI-VANDAL SWITCH ADAPTERS

PVP4 WIRED ADAPTER

ADAPTER	WIRE	LENGTH
SW1-1	WIRE, 22 AWG AWM UL1007, YELLOW	140.0 [5.5 in]
SW1-2	WIRE, 22 AWG AWM UL1007, BLUE	140.0 [5.5 in]
SW1-3	WIRE, 22 AWG AWM UL1007, GREEN	140.0 [5.5 in]
SW1-4	WIRE, 22 AWG AWM UL1007, PURPLE	140.0 [5.5 in]
SW1-5	WIRE, 22 AWG AWM UL1007, ORANGE	140.0 [5.5 in]
SW1-6	WIRE, 22 AWG AWM UL1007, WHITE	140.0 [5.5 in]
SW1- (+)	WIRE, 22 AWG AWM UL1007, RED	140.0 [5.5 in]
SW1- (-)	WIRE, 22 AWG AWM UL1007, BLACK	140.0 [5.5 in]

** WIRE LEADS PROVIDED ARE DEPENDANT ON THE FUNCTION AND/OR **
ILLUMINATION SELECTED



DPDT ILLUMINATED OPTION SHOWN

LED (+) AND (-) TERMINALS/WIRING ARE NOT INCLUDED ON THE
NON ILLUMINATED OPTION

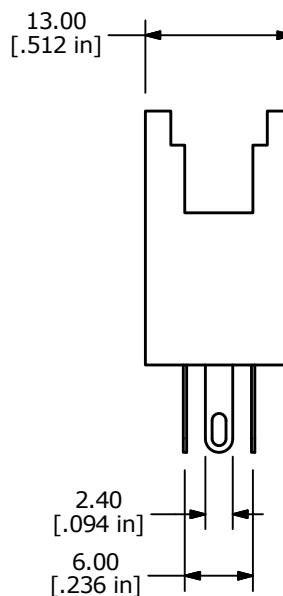
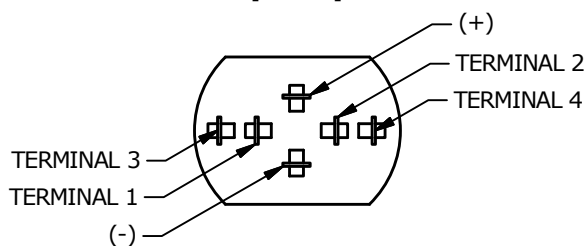
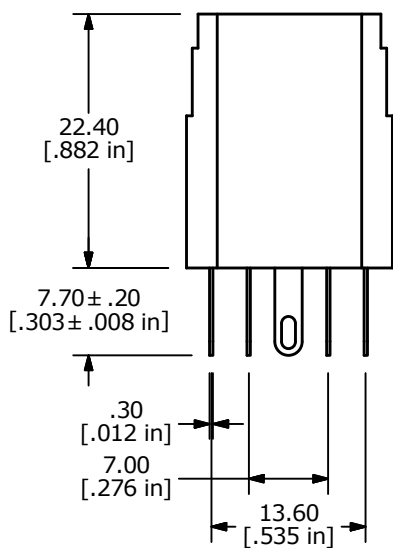
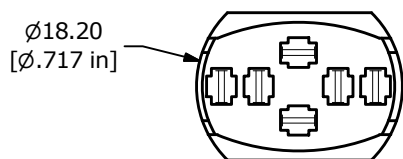
TERMINALS/WIRING 4, 5, AND 6 ARE NOT ON THE SPDT VERSION

CIRCUIT S IS SPDT
CIRCUIT D IS DPDT



PVP SERIES ANTI-VANDAL SWITCH ADAPTERS

PVP7 ADAPTER



SPDT ILLUMINATED
OPTION SHOWN

LED (+) AND (-) TERMINALS
ARE NOT INCLUDED ON THE
NON-ILLUMINATED OPTION

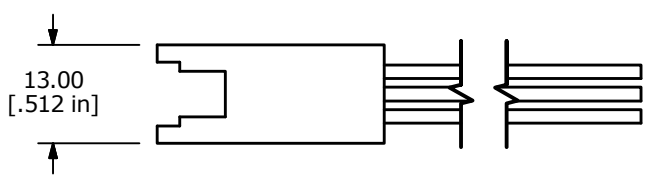
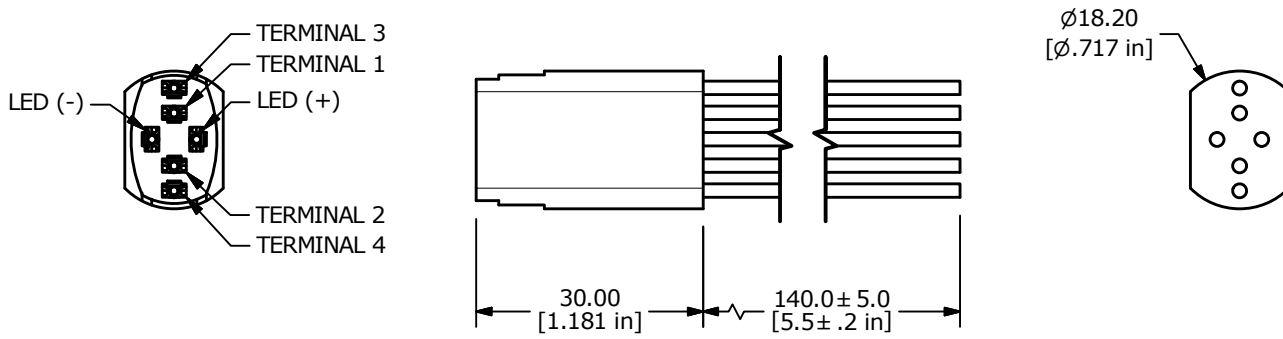


PVP SERIES ANTI-VANDAL SWITCH ADAPTERS

PVP7 WIRED ADAPTER

- ANTI-VANDAL SWITCHES
- DETECTOR SWITCHES
- DIP SWITCHES
- KEYLOCK SWITCHES
- NAVIGATION SWITCHES
- PUSHBUTTON SWITCHES
- ROCKER SWITCHES
- ROTARY SWITCHES
- SLIDE SWITCHES
- SNAP ACTION SWITCHES
- TACTILE SWITCHES
- TOGGLE SWITCHES
- CAP OPTIONS

ADAPTER	WIRE	LENGTH
SW1-1	WIRE, 22 AWG AWM UL1007, BLUE	140.0 [5.5 in]
SW1-2	WIRE, 22 AWG AWM UL1007, BLUE	140.0 [5.5 in]
SW1-3	WIRE, 22 AWG AWM UL1007, YELLOW	140.0 [5.5 in]
SW1-4	WIRE, 22 AWG AWM UL1007, YELLOW	140.0 [5.5 in]
SW1- (-)	WIRE, 22 AWG AWM UL1007, BLACK	140.0 [5.5 in]
SW1- (+)	WIRE, 22 AWG AWM UL1007, RED	140.0 [5.5 in]



SPDT ILLUMINATED OPTION SHOWN

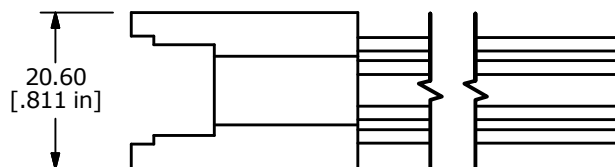
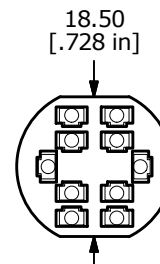
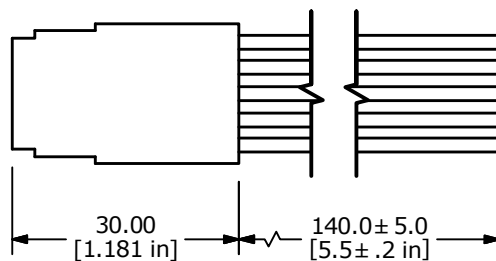
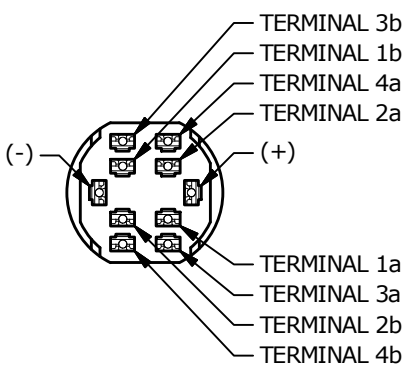
LED (+) AND (-) TERMINALS/WIRING ARE NOT INCLUDED ON THE NON-ILLUMINATED OPTION



PVP SERIES ANTI-VANDAL SWITCH ADAPTERS

PVP8 WIRED ADAPTER

ADAPTER	WIRE	LENGTH
SW1-1a	WIRE, 22 AWG AWM UL1007, BLUE	140.0 [5.5 in]
SW1-2a	WIRE, 22 AWG AWM UL1007, BLUE	140.0 [5.5 in]
SW1-3a	WIRE, 22 AWG AWM UL1007, YELLOW	140.0 [5.5 in]
SW1-4a	WIRE, 22 AWG AWM UL1007, YELLOW	140.0 [5.5 in]
SW1-1b	WIRE, 22 AWG AWM UL1007, BLUE	140.0 [5.5 in]
SW1-2b	WIRE, 22 AWG AWM UL1007, BLUE	140.0 [5.5 in]
SW1-3b	WIRE, 22 AWG AWM UL1007, YELLOW	140.0 [5.5 in]
SW1-4b	WIRE, 22 AWG AWM UL1007, YELLOW	140.0 [5.5 in]
SW1- (-)	WIRE, 22 AWG AWM UL1007, BLACK	140.0 [5.5 in]
SW1- (+)	WIRE, 22 AWG AWM UL1007, RED	140.0 [5.5 in]



DPDT ILLUMINATED OPTION SHOWN

LED (+) AND (-) TERMINALS/WIRING ARE NOT INCLUDED ON THE NON-ILLUMINATED OPTION

TERMINALS/WIRING 1b, 2b, 3b, AND 4b ARE NOT ON THE SPDT VERSION

CIRCUIT S IS SPDT
CIRCUIT D IS DPDT



X-ON Electronics

Largest Supplier of Electrical and Electronic Components

Click to view similar products for [Switch Fixings](#) category:

Click to view products by [E-Switch](#) manufacturer:

Other Similar products are found below :

[893102000](#) [00-5150](#) [LZZ1A](#) [0098.9234](#) [61-9451.0](#) [M2PA-5011](#) [630155](#) [635401](#) [6PA113](#) [6PA147-E6](#) [6PA148-E6](#) [6PA32](#) [6PA9](#) [700106](#)
[700109](#) [700303A56](#) [700C1GRY](#) [700C2GRN](#) [704-6001](#) [704.960.9](#) [704.965.2](#) [704.965.6](#) [704.966.0](#) [7089-3](#) [710082-B11](#) [71M1048](#)
[757200264](#) [764300000](#) [MHU35](#) [MHU37](#) [807039-1](#) [825.003.011](#) [825.005.011](#) [825.053.011](#) [825.055.011](#) [826.000.071](#) [827.020.011](#)
[827.400.021](#) [835.900.023](#) [MML52C10C](#) [MML52E10C](#) [MML92HGH](#) [MML93K](#) [84211M02CNNS](#) [84212M02CNNS](#) [84217A8.0LNOS](#)
[842.500.011](#) [843.000.011](#) [843187-000](#) [843487-000](#)