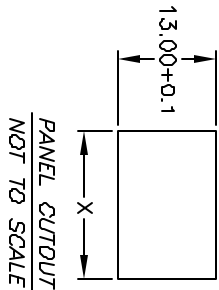
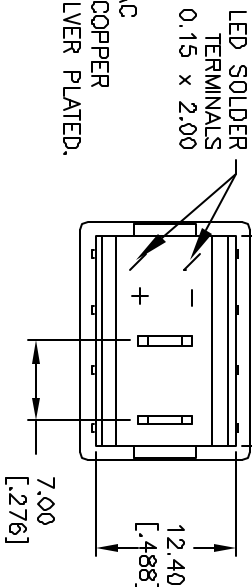
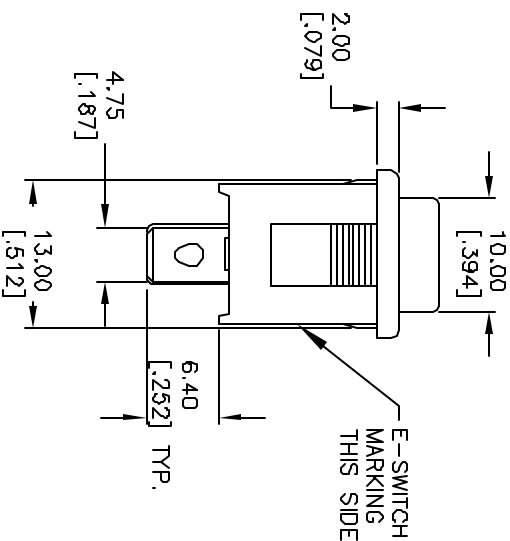
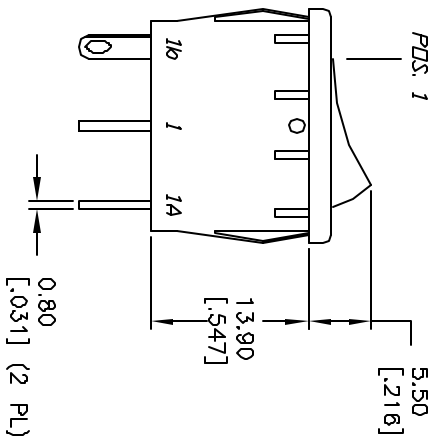
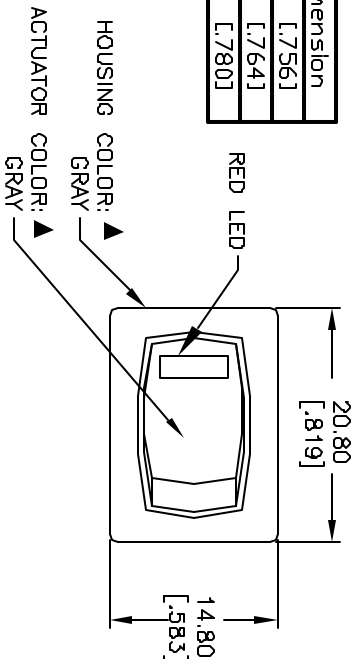
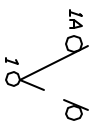


PANEL THICKNESS	X dimension
0.75-1.25 [.030-.049]	19.2-.01 [.756]
1.25-2.0 [.049-.079]	19.4-.01 [.764]
2.0-3.0 [.079-.118]	19.8-.01 [.780]



SWITCH FUNCTION	
POS. 1	POS. 2
DN	OFF
1-1a	OPEN



- NOTES:
1. ALL DIMENSIONS IN MM [INCH]
  2. GENERAL TOLERANCE: X.X=±0.4  
X.XX=±0.25
  3. TERMINAL NUMBERS FOR REF ONLY
  4. RATINGS: 15A @ 125VAC OR 6A @ 250VAC
  5. MATERIALS: (TERMINALS) SILVER PLATED COPPER (CONTACTS) COIN SILVER, SILVER PLATED.
  6. CONTACT RESISTANCE: <20 MEGA
  7. ELECTRIC LIFE: 10,000 CYCLES
  8. INSULATION RESISTANCE: >1000 MEGA
  9. DIELECTRIC STRENGTH: >1500V 1 MINUTE  
>3000V BETWEEN POLES
  10. ▲ DENOTES CRITICAL PARAMETER.

RED L.E.D.

PARAMETERS	SYMBOL	MAX.	TYP.	UNITS
POWER DISSIPATION	P <sub>d</sub>	80		mW
AVE FORWARD CURRENT	I <sub>af</sub>	--		mA
PEAK FORWARD CURRENT	I <sub>pf</sub>	100		mA
REVERSE VOLTAGE	V <sub>r</sub>	5		V
FORWARD VOLTAGE	V <sub>f</sub>	2.6	1.7	V
REVERSE CURRENT	I <sub>r</sub>		100	µA
EMISSION WAVELENGTH	λ <sub>p</sub>		660	nm
LUMINOUS INTENSITY	I <sub>v</sub>		30	mcd

A	13284	RELEASED FOR PRODUCTION	7/11/03	AR
REV.	ECN No.	DESCRIPTION	DATE	CHKD

TITLE		SCALE	DATE	DR	DWG	REV
R1966AGRYGREFRED		1.5:1	7/11/03	AR	M301234	A

**E-SWITCH®**

THE INFORMATION CONTAINED IN THIS DOCUMENT IS PROPRIETARY TO E-SWITCH AND IS NOT TO BE COPIED OR TRANSFERRED

## X-ON Electronics

Largest Supplier of Electrical and Electronic Components

*Click to view similar products for [Rocker Switches](#) category:*

*Click to view products by [E-Switch](#) manufacturer:*

Other Similar products are found below :

[LTI LA6E-1S-WH-RC-FN12VXCR1](#) [6-1571986-9](#) [8007K26N324V52](#) [8055K32Z7V](#) [8055K52Z7V](#) [8138K20E6M50](#) [84206L](#) [84312LX](#)  
[PREDD5-07F-BB0GW](#) [999-16716-002](#) [999-16716-003](#) [999-16716-004](#) [A101J1V3Q004](#) [A101J2ZQ004](#) [A101J4ZQ004](#) [A101J51CB0004](#)  
[A103J1ZQ004](#) [A201J1AQ004](#) [A201J3ZB004](#) [A201J50ZQ004](#) [A203J51ZQ0004](#) [A435S1YZQ](#) [H8500XBBBBBL-A](#) [H8653VBBG2577W](#)  
[HB130CHNWWNAAC](#) [R13112ABB-602W](#) [1251.0303](#) [AE205J60V3B004](#) [1352.0107](#) [1500G51E](#) [1571099-3](#) [1571987-4](#) [1571987-5](#)  
[1571989-7](#) [1571988-5](#) [B123J77V7B2](#) [B226J50W4Q22P](#) [B433J37ZQ22M](#) [160212E](#) [1634200-7](#) [1801.1164](#) [1839.1502](#) [PANEL-PLUG-VHP-](#)  
[BLACK](#) [PANEL-PLUG-VHP-WT](#) [K1ABBSCADN](#) [K2ABAAAAAA](#) [KG312A2DXD246X](#) [250011E714](#) [2600HM11E](#) [2600R21E](#)