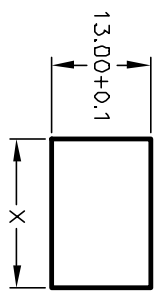
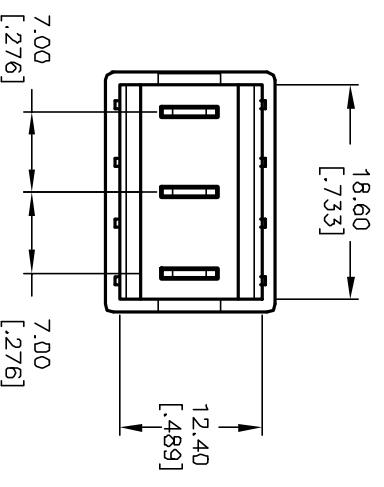
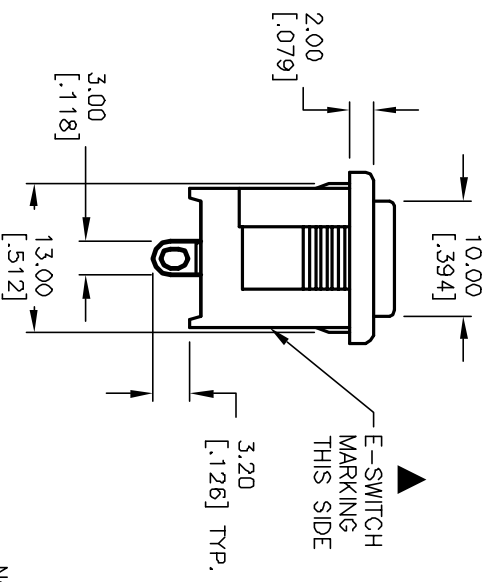
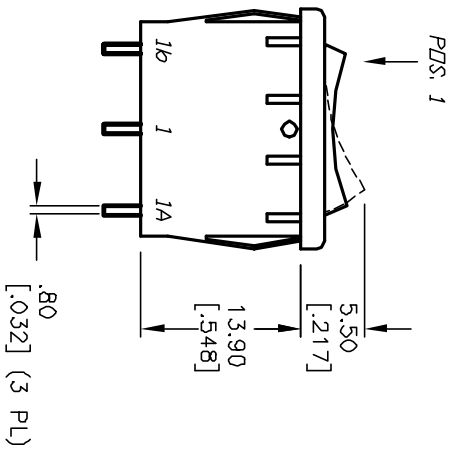
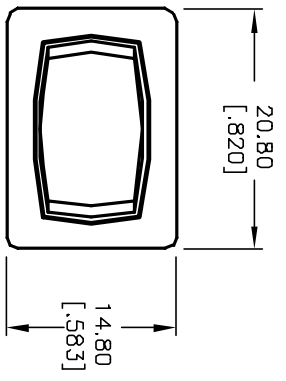
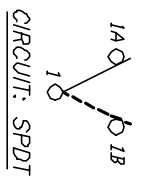


PANEL THICKNESS	X dimension
0.75-1.25 [0.30-.049]	19.2-.01 [7.56]
1.25-2.0 [0.49-.079]	19.4-.01 [7.64]
2.0-3.0 [0.79-.118]	19.8-.01 [7.80]



PANEL CUTOUT
NDT TO SCALE

SWITCH FUNCTION		
POS. 1	POS. 2	POS. 3
<DN>	DNF	<DN>
1-1a	OPEN	1-1b



CIRCUIT: SPDT

NOTES:

1. ALL DIMENSIONS IN MM [INCH]
2. GENERAL TOLERANCE: X.X=±0.4 X.XX=±0.25
3. TERMINAL NUMBERS FOR REF ONLY
4. RATING: 15A @ 125VAC OR 6A @ 250VAC
5. APPROVALS: UL, CSA, NEMKO, SEMKO, FEMKO, DEMKO
6. MATERIALS: TERMINALS: Silver Plated Copper Alloy CONTACTS: Coin Silver, Silver Plated
7. ELECTRIC LIFE: 10,000 cycles
8. CONTACT RESISTANCE: <20 Mega-OHM
9. INSULATION RESISTANCE: >1000 Mega-OHM
10. DIELECTRIC STRENGTH: >1500 V 1 minute >3000 V between poles

E-SWITCH®

R19661 BLK BLK ES

REV.	ECN No.	DESCRIPTION	DATE	CHKD
B	12061	REVISED AND REDRAWN	4/16/02	CJB

TITLE	SCALE	DATE	DR	DWG	REV
R19661 BLK BLK ES	1.5:1	4/16/02	CB	M306203	B

THE INFORMATION CONTAINED IN THIS DOCUMENT IS PROPRIETARY TO E-SWITCH AND IS NOT TO BE COPIED OR TRANSFERRED

X-ON Electronics

Largest Supplier of Electrical and Electronic Components

Click to view similar products for [Rocker Switches](#) category:

Click to view products by [E-Switch](#) manufacturer:

Other Similar products are found below :

[LTI LA6E-1S-WH-RC-FN12VXCR1](#) [6-1571986-9](#) [8007K26N324V52](#) [8055K32Z7V](#) [8055K52Z7V](#) [8138K20E6M50](#) [84206L](#) [84312LX](#)
[PREDD5-07F-BB0GW](#) [999-16716-002](#) [999-16716-003](#) [999-16716-004](#) [A101J1V3Q004](#) [A101J2ZQ004](#) [A101J4ZQ004](#) [A101J51CB0004](#)
[A103J1ZQ004](#) [A201J1AQ004](#) [A201J3ZB004](#) [A201J50ZQ004](#) [A203J51ZQ0004](#) [A435S1YZQ](#) [H8500XBBBBBL-A](#) [H8653VBBG2577W](#)
[HB130CHNWWNAAC](#) [R13112ABB-602W](#) [1251.0303](#) [AE205J60V3B004](#) [1352.0107](#) [1500G51E](#) [1571099-3](#) [1571987-4](#) [1571987-5](#)
[1571989-7](#) [1571988-5](#) [B123J77V7B2](#) [B226J50W4Q22P](#) [B433J37ZQ22M](#) [160212E](#) [1634200-7](#) [1801.1164](#) [1839.1502](#) [PANEL-PLUG-VHP-](#)
[BLACK](#) [PANEL-PLUG-VHP-WT](#) [K1ABBSCADN](#) [K2ABAAAAAA](#) [KG312A2DXD246X](#) [250011E714](#) [2600HM11E](#) [2600R21E](#)