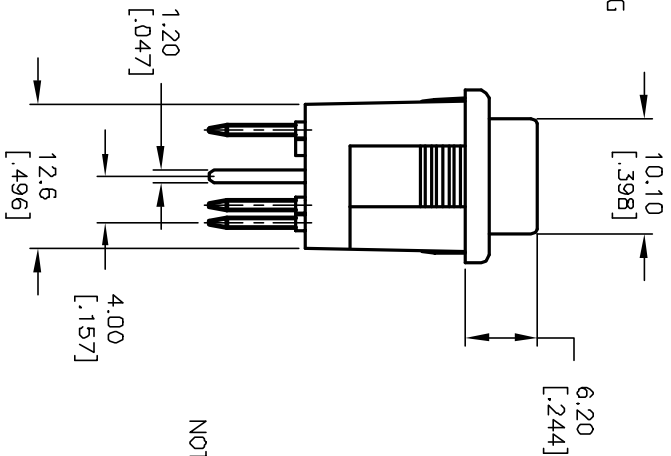
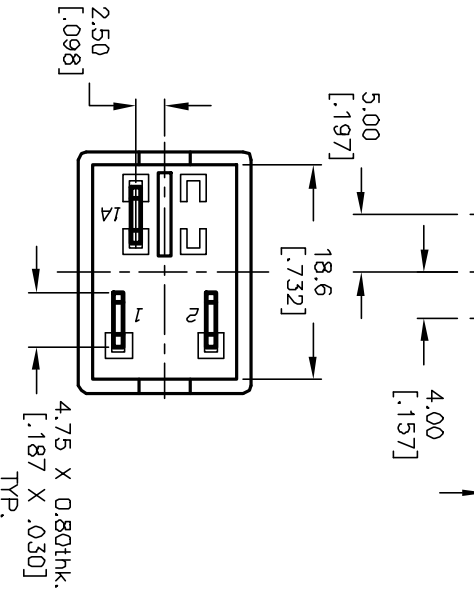
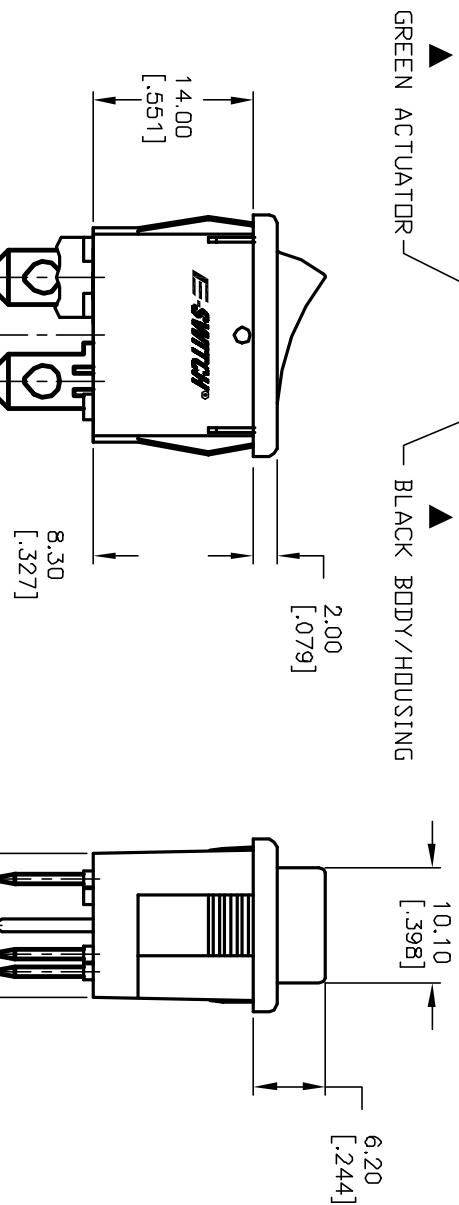
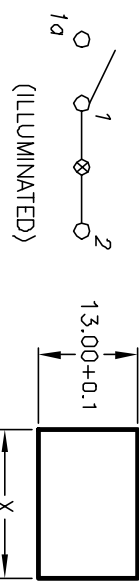


NEON BULB

PARAMETERS	SYMBOL	MAX.	UNITS
LAMP VOLTAGE (AC)	V	125	V
STARTUP VOLTAGE	V <sub>s</sub>	85	V
CURRENT	I	0.8	mA
SERIES RESISTANCE (<math>I=25V</math>)	R	68	OHMS



PANEL THICKNESS	X dimension
0.75-1.25 [0.30-0.49]	19.2-02 [0.756]
1.25-2.0 [0.49-0.79]	19.4-02 [0.764]
2.0-3.0 [0.79-1.18]	19.8-02 [0.780]



NOTES:

1. ALL DIMENSIONS IN MM [INCH]
2. GENERAL TOLERANCE: X,X=±0.4 X,XX=±0.25
3. RATING: 6A @250VAC;9A @125VAC (UL, CSA, VDE) 4(1)A @250VAC
4. LAMP VOLTAGE: 125V (NEON BULB)
5. MATERIAL: CONTACT SURFACE: Coin Silver, Silver Plate  
TERMINAL: Copper Alloy W/ Silver Plate.
6. CONTACT RESISTANCE: 20MILLIOHMS TYP. INITIAL
7. INSULATION RESISTANCE: 1000MEGΩHMS
8. DIELECTRIC STRENGTH: >1500V RMS min. @SEA LEVEL >3000V RMS @SEA LEVEL
9. MECHANICAL LIFE: 50,000 CYCLES.
10. ELECTRICAL LIFE: 10,000 CYCLES.

**E-SWITCH®**

REV.	ECN No.	DESCRIPTION	DATE	CHKD
A	11330	RELEASED FOR PRODUCTION	10/03/01	CJB

TITLE	SCALE	DATE	DR	DWG	REV
R19734 BLK GRN EFF1	1.5:1	10/3/01	CJB	M400004	A

THE INFORMATION CONTAINED IN THIS DOCUMENT IS PROPRIETARY TO E-SWITCH AND IS NOT TO BE COPIED OR TRANSFERRED

## X-ON Electronics

Largest Supplier of Electrical and Electronic Components

*Click to view similar products for [Rocker Switches](#) category:*

*Click to view products by [E-Switch](#) manufacturer:*

Other Similar products are found below :

[LTI LA6E-1S-WH-RC-FN12VXCR1](#) [6-1571986-9](#) [8007K26N324V52](#) [8055K32Z7V](#) [8055K52Z7V](#) [8138K20E6M50](#) [84206L](#) [84312LX](#)  
[PREDD5-07F-BB0GW](#) [999-16716-002](#) [999-16716-003](#) [999-16716-004](#) [A101J1V3Q004](#) [A101J2ZQ004](#) [A101J4ZQ004](#) [A101J51CB0004](#)  
[A103J1ZQ004](#) [A201J1AQ004](#) [A201J3ZB004](#) [A201J50ZQ004](#) [A203J51ZQ0004](#) [A435S1YZQ](#) [H8500XBBBBL-A](#) [H8653VBBG2577W](#)  
[HB130CHNWWNAAC](#) [R13112ABB-602W](#) [1251.0303](#) [AE205J60V3B004](#) [1352.0107](#) [1500G51E](#) [1571099-3](#) [1571987-4](#) [1571987-5](#)  
[1571989-7](#) [1571988-5](#) [B123J77V7B2](#) [B226J50W4Q22P](#) [B433J37ZQ22M](#) [160212E](#) [1634200-7](#) [1801.1164](#) [1839.1502](#) [PANEL-PLUG-VHP-](#)  
[BLACK](#) [PANEL-PLUG-VHP-WT](#) [K1ABBSCADN](#) [K2ABAAAAAA](#) [KG312A2DXD246X](#) [250011E714](#) [2600HM11E](#) [2600R21E](#)