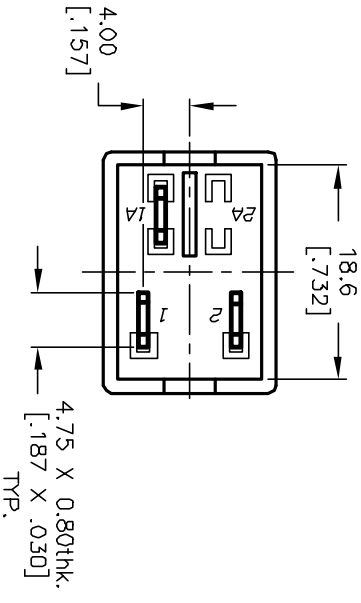
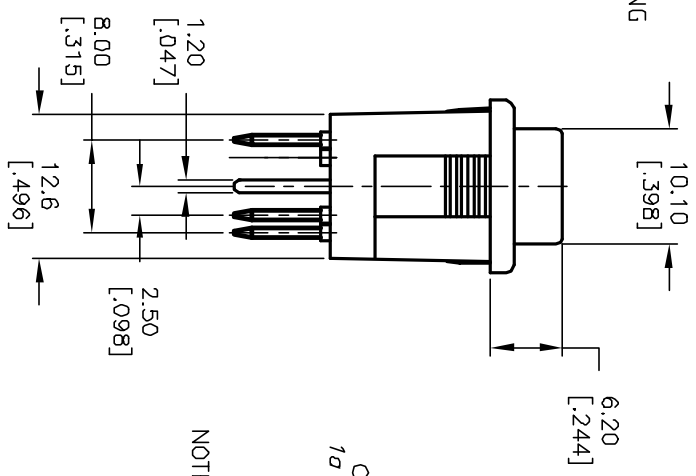
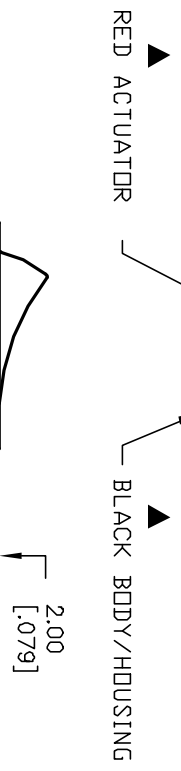
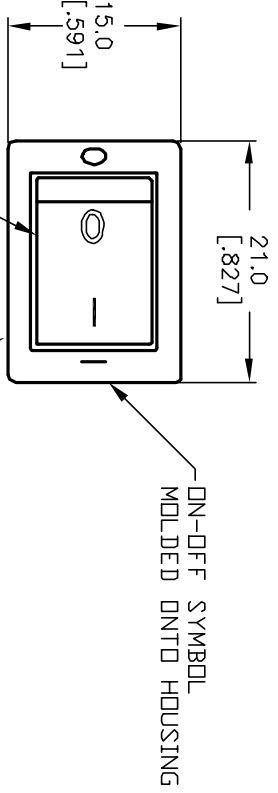
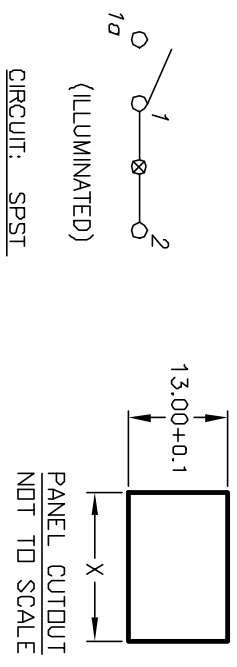


INCANDESCENT BULB

| PARAMETERS | SYMBOL | MAX. | UNITS |
|----------------------|----------------|------|-------|
| LAMP VOLTAGE (AC/DC) | V | 24 | V |
| POWER DISSIPATION | P _d | 2 | Watts |
| CURRENT | I | 50 | mA |



| PANEL THICKNESS | X dimension |
|-----------------------|------------------|
| 0.75-1.25 [0.30-0.49] | 19.2-01 [0.7561] |
| 1.25-2.0 [0.49-0.79] | 19.4-01 [0.764] |
| 2.0-3.0 [0.79-1.18] | 19.8-01 [0.7801] |



NOTES:

1. ALL DIMENSIONS IN MM [INCH]
2. GENERAL TOLERANCE: X.X=±0.4
X.XX=±0.25
3. RATING: 6A @250VAC;9A @125VAC (UL, CSA, VDE)
4(1)A @250VAC
4. LAMP VOLTAGE: 24VDC (Incandescent Bulb)
5. MATERIAL: CONTACT SURFACE: Coin Silver, Silver Plate
TERMINAL: Copper Alloy W/ Silver Plate.
6. CONTACT RESISTANCE: 20mILLIOHMS TYP. INITIAL
7. INSULATION RESISTANCE: 1000MegaOHMS
8. DIELECTRICAL STRENGTHS >1500V RMS min. @SEA LEVEL
>3000V RMS @SEA LEVEL
9. MECHANICAL LIFE: 50,000 CYCLES.
10. ELECTRICAL LIFE: 10,000 CYCLES.

E-SWITCH®

R19734 BLK RED FF4

| REV. | ECN No. | DESCRIPTION | DATE | CHKD |
|------|---------|-------------------------|----------|------|
| A | 11692 | RELEASED FOR PRODUCTION | 10/01/01 | CJB |

| TITLE | SCALE | DATE | DR | DWG | REV |
|--------------------|-------|----------|-----|---------|-----|
| R19734 BLK RED FF4 | 1.5:1 | 10/01/01 | CJB | M400063 | A |

THE INFORMATION CONTAINED IN THIS DOCUMENT IS PROPRIETARY TO E-SWITCH AND IS NOT TO BE COPIED OR TRANSFERRED

X-ON Electronics

Largest Supplier of Electrical and Electronic Components

Click to view similar products for [Rocker Switches](#) category:

Click to view products by [E-Switch](#) manufacturer:

Other Similar products are found below :

[LTI LA6E-1S-WH-RC-FN12VXCR1](#) [6-1571986-9](#) [8007K26N324V52](#) [8055K32Z7V](#) [8055K52Z7V](#) [8138K20E6M50](#) [84206L](#) [84312LX](#)
[PREDD5-07F-BB0GW](#) [999-16716-002](#) [999-16716-003](#) [999-16716-004](#) [A101J1V3Q004](#) [A101J2ZQ004](#) [A101J4ZQ004](#) [A101J51CB0004](#)
[A103J1ZQ004](#) [A201J1AQ004](#) [A201J3ZB004](#) [A201J50ZQ004](#) [A203J51ZQ0004](#) [A435S1YZQ](#) [H8500XBBBBBL-A](#) [H8653VBBG2577W](#)
[HB130CHNWWNAAC](#) [R13112ABB-602W](#) [1251.0303](#) [AE205J60V3B004](#) [1352.0107](#) [1500G51E](#) [1571099-3](#) [1571987-4](#) [1571987-5](#)
[1571989-7](#) [1571988-5](#) [B123J77V7B2](#) [B226J50W4Q22P](#) [B433J37ZQ22M](#) [160212E](#) [1634200-7](#) [1801.1164](#) [1839.1502](#) [PANEL-PLUG-VHP-](#)
[BLACK](#) [PANEL-PLUG-VHP-WT](#) [K1ABBSCADN](#) [K2ABAAAAAA](#) [KG312A2DXD246X](#) [250011E714](#) [2600HM11E](#) [2600R21E](#)