



SERIES R1973 SWITCHES

ROCKER SWITCHES - ILLUMINATED



SPECIFICATIONS

Contact Rating:	9A@125 VAC (UL, CUL, CSA) 6A@250 VAC
Life Expectancy (Mechanical):	30,000 cycles
Life Expectancy (Electrical):	10,000 cycles
Contact Resistance:	20 mΩ max., initial @ 2-4 VDC
Insulation Resistance:	>1,000MΩ
Dielectric Strength:	>1,500 VAC, terminal to terminal >3,000 VAC, terminal to case
Operating Temp:	-30°C to 55°C
Safety Standard Approval:	UL, CUL, VDE

MATERIALS

Body:	Nylon 6/6 (UL94 V-2)
Rocker:	Polycarbonate (UL94 V-2)
Contact Surface:	Coin silver, silver plated
Terminal:	Silver plated copper alloy
Illuminated Rockers:	Neon lamp or Incandescent bulb

FEATURES & BENEFITS

- ▶ Industry standard panel cut-out size
- ▶ Single & double pole options
- ▶ Fully illuminated actuator option

APPLICATIONS/MARKETS

- ▶ Audio/Visual
- ▶ Consumer Electronics
- ▶ Test/instrumentation

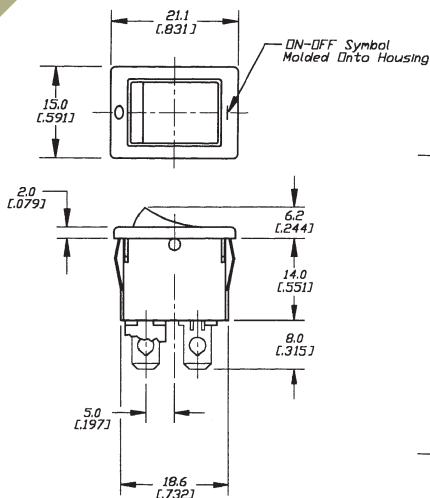
HOW TO ORDER

SERIES	CIRCUIT	HOUSING COLOR	ACTUATOR COLOR	MARKING	TERMINATION	LAMP VOLTAGE
R1973	<input type="checkbox"/>	<input type="checkbox"/>	<input type="checkbox"/>	<input type="checkbox"/>	<input type="checkbox"/>	<input type="checkbox"/>
	A = SPST B = DPST	BLK = Black WHT = White GRY = Grey	BLK = Black WHT = White GRY = Grey RED = Red ORG = Orange YIL = Yellow ILL. GIL = Green ILL. RIL = Red ILL. BIL = Blue ILL.	A B C D E F G H I J K L	F = Faston R = Rt. Angle PC Pin L = Left Angle PC Pin	0 = No Lamp 1 = 125V AC ¹ 2 = 250V AC ¹ 3 = 12V DC ² 4 = 24V DC ² 6 = 6V DC ² ¹ Neon Bulb ² Incandescent Bulb

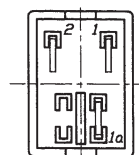
▶ ▶ ▶ Example Ordering Number
R1973-B-BLK-RED-E-F-2

Specifications subject to change without notice.

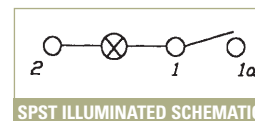
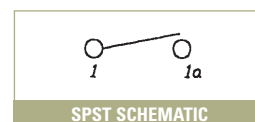
A SPST



Bottom View



Circuit	POS 1	POS 2
SPST	ON	OFF
Term. Comm.	1-1a	OPEN





SERIES R1973 SWITCHES

ROCKER SWITCHES - ILLUMINATED

TACT SWITCHES

NAVIGATION SWITCHES

PUSHBUTTON SWITCHES

TOGGLE SWITCHES

ROCKER SWITCHES

SLIDE SWITCHES

SNAP-ACTION SWITCHES

DIP SWITCHES

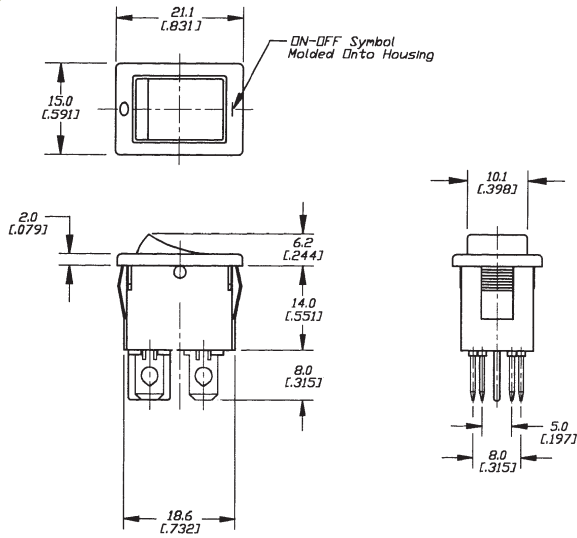
KEYLOCK SWITCHES

ROTARY SWITCHES

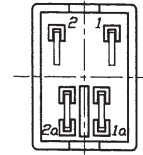
DETECTOR SWITCHES

CAP OPTIONS

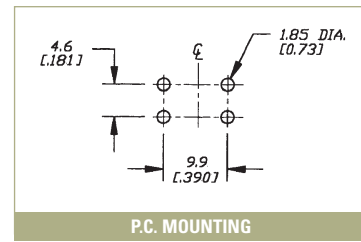
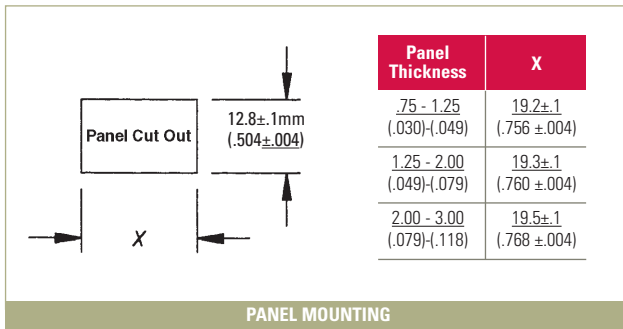
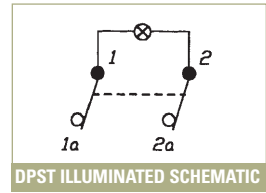
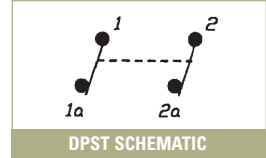
B DPST



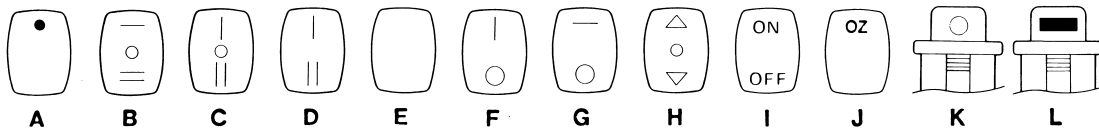
Bottom View



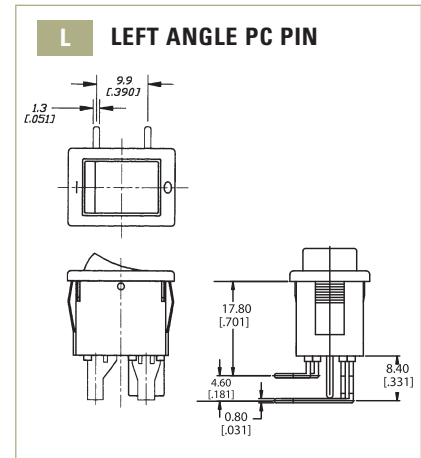
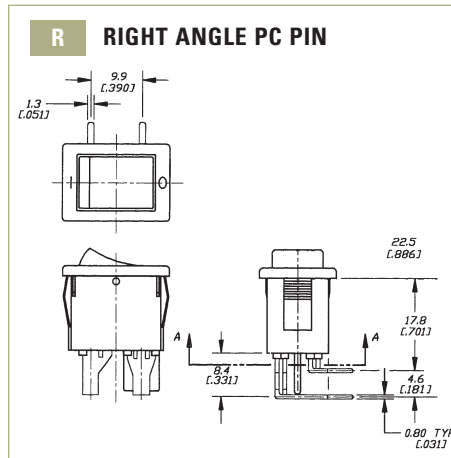
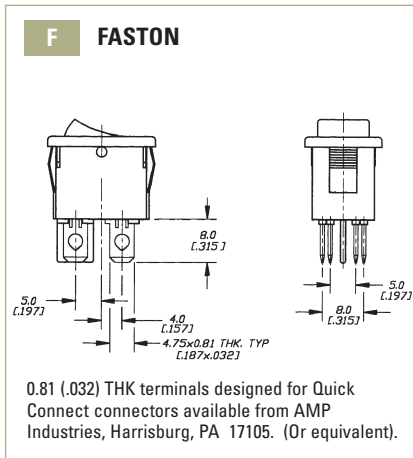
Circuit	POS 1	POS 2
DPST	ON	OFF
Term. Comm.	1-1a, 2-2a	OPEN



MARKING OPTIONS



TERMINATION OPTIONS



X-ON Electronics

Largest Supplier of Electrical and Electronic Components

Click to view similar products for [Rocker Switches](#) category:

Click to view products by [E-Switch](#) manufacturer:

Other Similar products are found below :

[LTI LA6E-1S-WH-RC-FN12VXCR1](#) [6-1571986-9](#) [8007K26N324V52](#) [8055K32Z7V](#) [8055K52Z7V](#) [8138K20E6M50](#) [84206L](#) [84312LX](#)
[PREDD5-07F-BB0GW](#) [999-16716-002](#) [999-16716-003](#) [999-16716-004](#) [A101J1V3Q004](#) [A101J2ZQ004](#) [A101J4ZQ004](#) [A101J51CB0004](#)
[A103J1ZQ004](#) [A201J1AQ004](#) [A201J3ZB004](#) [A201J50ZQ004](#) [A203J51ZQ0004](#) [A435S1YZQ](#) [H8500XBBBBBL-A](#) [H8653VBBG2577W](#)
[HB130CHNWWNAAC](#) [R13112ABB-602W](#) [1251.0303](#) [AE205J60V3B004](#) [1352.0107](#) [1500G51E](#) [1571099-3](#) [1571987-4](#) [1571987-5](#)
[1571989-7](#) [1571988-5](#) [B123J77V7B2](#) [B226J50W4Q22P](#) [B433J37ZQ22M](#) [160212E](#) [1634200-7](#) [1801.1164](#) [1839.1502](#) [PANEL-PLUG-VHP-](#)
[BLACK](#) [PANEL-PLUG-VHP-WT](#) [K1ABBSCADN](#) [K2ABAAAAAA](#) [KG312A2DXD246X](#) [250011E714](#) [2600HM11E](#) [2600R21E](#)