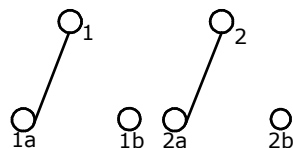


RECOMMENDED PANEL MOUNTING

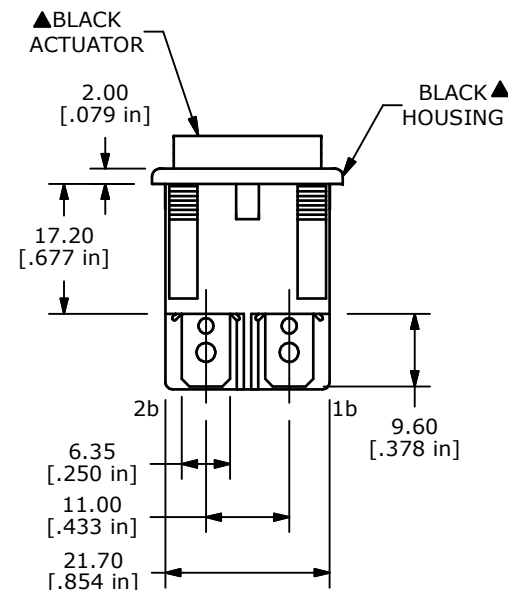
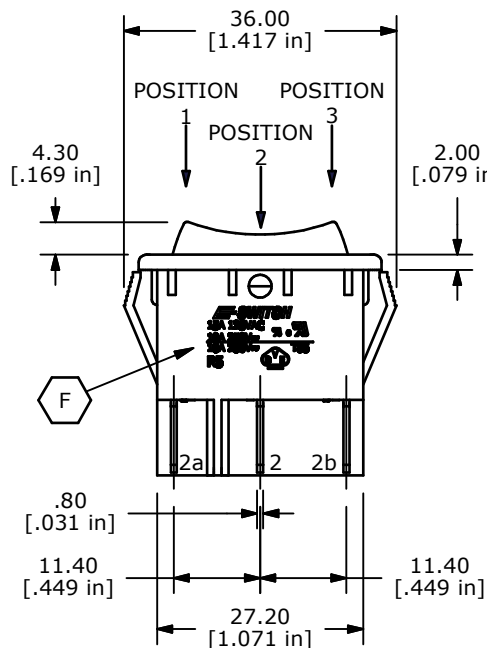
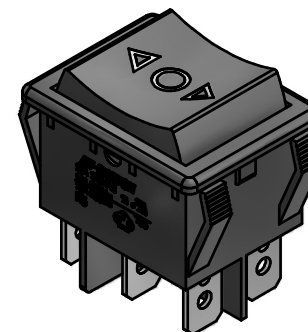
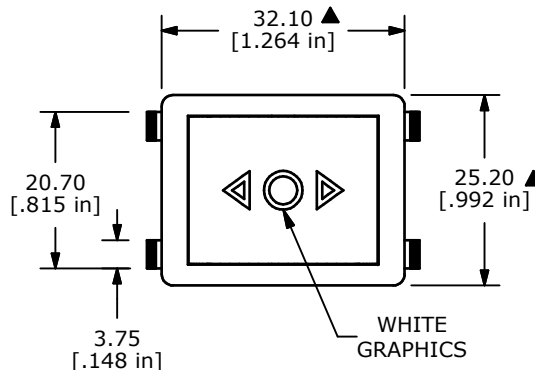
PANEL THICKNESS	X
0.75-1.25	30.0-30.2
1.25-2.00	30.2-30.4
2.00-3.00	30.6-30.8

SWITCH FUNCTION		
POS. 1	POS. 2	POS. 3
ON	OFF	ON
1-1b, 2-2b	NONE	1-1a, 2-2a



CIRCUIT: DPDT

- NOTES:
- ALL DIMENSIONS IN MM [INCH]
  - GENERAL TOLERANCE: X.X=±0.4  
X.XX=±0.25
  - TERM. NOS. FOR REF. ONLY
  - ▲ 4. RATING: 10A @250VAC UL APPROVED  
15A @125VAC UL APPROVED  
16A @250VAC VDE APPROVED
  - ELECTRICAL LIFE: 10,000 CYCLES
  - MECHANICAL LIFE: 30,000 CYCLES
  - CONTACT RESISTANCE: <20 MILLI-OHMS INITIAL
  - DIELECTRIC STRENGTH: >1,500V AC 1MIN
  - INSULATION RESISTANCE: >1000MOHMS
  - OPERATING TEMP: TERMINAL SIDE: -20°C to 85°C  
ROCKER SIDE: -20°C to 55°C
  - ▲ DENOTES CRITICAL PARAMETER.
  - 2002/95/EC (ROHS) COMPLIANT



TITLE R5DBLKBLKHFO				
SCALE 1:1	DATE 3/23/2011	DR BMA	DWG M050210	REV F

REV	PCR NO	DESCRIPTION	DATE	BY
F	20975	CORRECT RATING TEXT	1/18/13	EBP
E	19789	UPDATE / CONVERT TO INVENTOR	03/23/11	BMA

THE INFORMATION CONTAINED IN THIS DOCUMENT IS PROPRIETARY TO E-SWITCH AND IS NOT TO BE COPIED OR TRANSFERRED

## X-ON Electronics

Largest Supplier of Electrical and Electronic Components

*Click to view similar products for [Rocker Switches](#) category:*

*Click to view products by [E-Switch](#) manufacturer:*

Other Similar products are found below :

[LTI LA6E-1S-WH-RC-FN12VXCR1](#) [6-1571986-9](#) [8007K26N324V52](#) [8055K32Z7V](#) [8055K52Z7V](#) [8138K20E6M50](#) [84206L](#) [84312LX](#)  
[PREDD5-07F-BB0GW](#) [999-16716-002](#) [999-16716-003](#) [999-16716-004](#) [A101J1V3Q004](#) [A101J2ZQ004](#) [A101J4ZQ004](#) [A101J51CB0004](#)  
[A103J1ZQ004](#) [A201J1AQ004](#) [A201J3ZB004](#) [A201J50ZQ004](#) [A203J51ZQ0004](#) [A435S1YZQ](#) [H8500XBBBBBL-A](#) [H8653VBBG2577W](#)  
[HB130CHNWWNAAC](#) [R13112ABB-602W](#) [1251.0303](#) [AE205J60V3B004](#) [1352.0107](#) [1500G51E](#) [1571099-3](#) [1571987-4](#) [1571987-5](#)  
[1571989-7](#) [1571988-5](#) [B123J77V7B2](#) [B226J50W4Q22P](#) [B433J37ZQ22M](#) [160212E](#) [1634200-7](#) [1801.1164](#) [1839.1502](#) [PANEL-PLUG-VHP-](#)  
[BLACK](#) [PANEL-PLUG-VHP-WT](#) [K1ABBSCADN](#) [K2ABAAAAAA](#) [KG312A2DXD246X](#) [250011E714](#) [2600HM11E](#) [2600R21E](#)