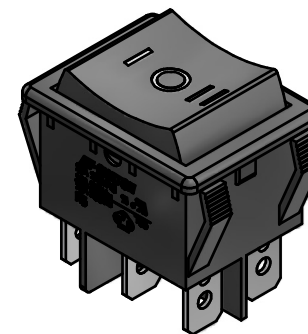
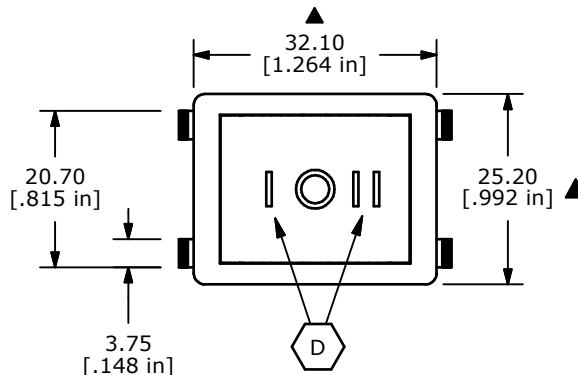
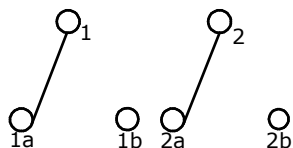


RECOMMENDED PANEL MOUNTING

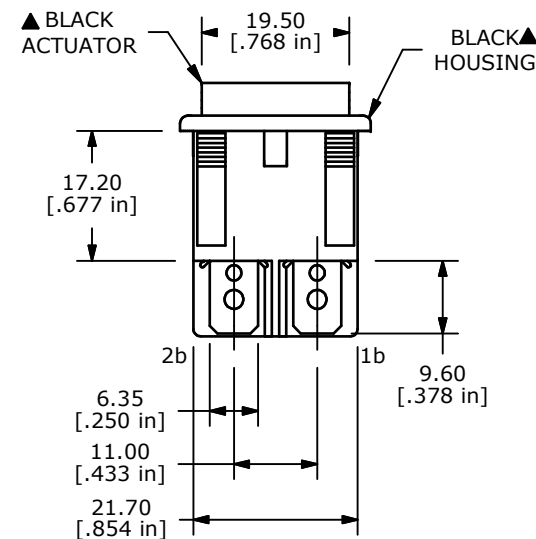
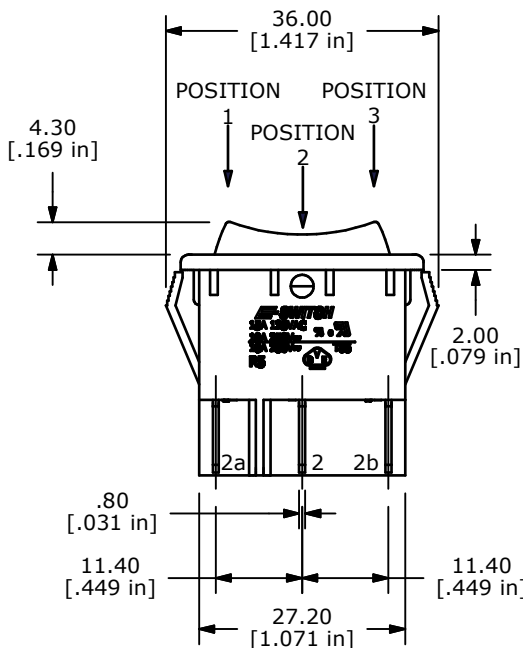
PANEL THICKNESS	X
0.75-1.25	30.0-30.2
1.25-2.00	30.2-30.4
2.00-3.00	30.6-30.8



C	SWITCH FUNCTION		
	POS. 1	POS. 2	POS. 3
	ON	OFF	(ON)
	1-1b, 2-2b	NONE	1-1a, 2-2a



CIRCUIT: DPDT



- NOTES:
1. ALL DIMENSIONS IN MM [INCH]
  2. GENERAL TOLERANCE: X.X=±0.4  
X.XX=±0.25
  3. TERM. NOS. FOR REF. ONLY
  4. RATING: 10A @250VAC UL APPROVED  
15A @125VAC UL APPROVED  
16A @250VAC VDE APPROVED
  5. ELECTRICAL LIFE: 10,000 CYCLES
  6. MECHANICAL LIFE: 30,000 CYCLES
  7. CONTACT RESISTANCE: <20 MILLI-OHMS INITIAL
  8. DIELECTRIC STRENGTH: >1,500V AC 1MIN
  9. INSULATION RESISTANCE: >1000MOHMS
  10. OPERATING TEMP: TERMINAL SIDE: -20°C to 85°C  
ROCKER SIDE: -20°C to 55°C
  11. ▲ DENOTES CRITICAL PARAMETER.
  12. 2002/95/EC (ROHS) COMPLIANT

D	20952	CHANGE ACTUATOR ORIENTATION	1/7/13	EBP
C	19798	CORRECT SWITCH FUNCTION	03/29/11	BMA
B	19786	UPDATE DRAWING	03/22/11	BMA
A	19015	RELEASE FOR PRODUCTION	04/13/10	BLR
REV	PCR NO	DESCRIPTION	DATE	BY



TITLE R5IBLKBLKBF0

SCALE	DATE	DR	DWG	REV
1:1	4/13/2010	BLR	M050261	D

## X-ON Electronics

Largest Supplier of Electrical and Electronic Components

*Click to view similar products for [Rocker Switches](#) category:*

*Click to view products by [E-Switch](#) manufacturer:*

Other Similar products are found below :

[LTI LA6E-1S-WH-RC-FN12VXCR1](#) [6-1571986-9](#) [8007K26N324V52](#) [8055K32Z7V](#) [8055K52Z7V](#) [8138K20E6M50](#) [84206L](#) [84312LX](#)  
[PREDD5-07F-BB0GW](#) [999-16716-002](#) [999-16716-003](#) [999-16716-004](#) [A101J1V3Q004](#) [A101J2ZQ004](#) [A101J4ZQ004](#) [A101J51CB0004](#)  
[A103J1ZQ004](#) [A201J1AQ004](#) [A201J3ZB004](#) [A201J50ZQ004](#) [A203J51ZQ0004](#) [A435S1YZQ](#) [H8500XBBBBL-A](#) [H8653VBBG2577W](#)  
[HB130CHNWWNAAC](#) [R13112ABB-602W](#) [1251.0303](#) [AE205J60V3B004](#) [1352.0107](#) [1500G51E](#) [1571099-3](#) [1571987-4](#) [1571987-5](#)  
[1571989-7](#) [1571988-5](#) [B123J77V7B2](#) [B226J50W4Q22P](#) [B433J37ZQ22M](#) [160212E](#) [1634200-7](#) [1801.1164](#) [1839.1502](#) [PANEL-PLUG-VHP-](#)  
[BLACK](#) [PANEL-PLUG-VHP-WT](#) [K1ABBSCADN](#) [K2ABAAAAAA](#) [KG312A2DXD246X](#) [250011E714](#) [2600HM11E](#) [2600R21E](#)