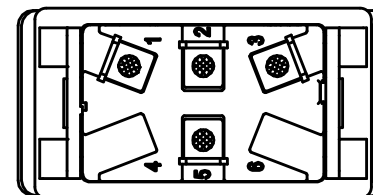
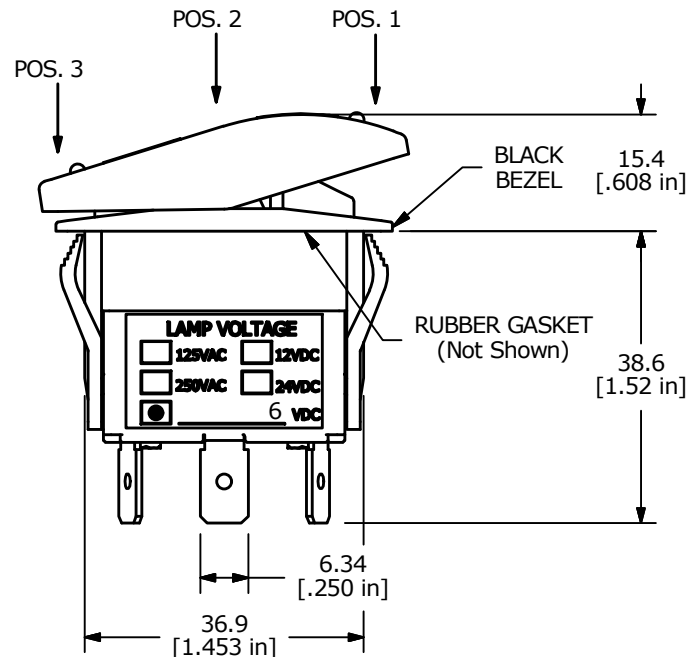
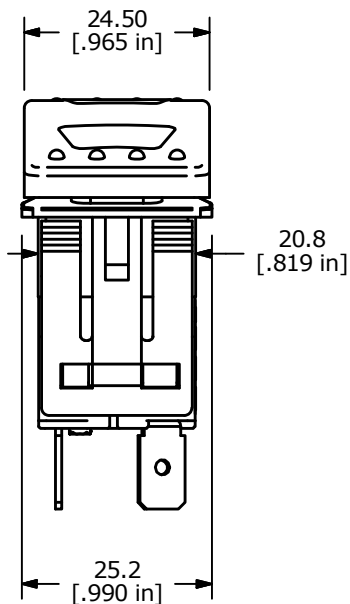
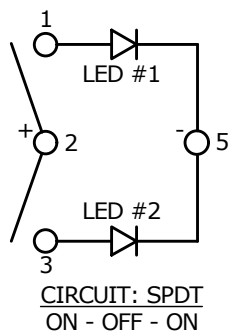


SWITCH FUNCTION		
POS. 1	POS. 2	POS. 3
ON	OFF	ON
1-2	NONE	2-3



- NOTES:
- ALL DIMENSIONS IN MM [INCH]
  - GENERAL TOLERANCE: X.X = ±0.4  
X.XX = ±0.25
  - TERM. NOS. FOR REF. ONLY
  - RATING: 16A @ 30VDC, 50/60 Hz, μT85/55  
UL LISTED
  - ELECTRICAL LIFE: 10,000 CYCLES
  - MECHANICAL LIFE: 30,000 CYCLES
  - CONTACT RESISTANCE: <20 MILLI-OHMS INITIAL
  - DIELECTRIC STRENGTH: >1,500V AC 1MIN
  - INSULATION RESISTANCE: >100 MOHMS @ 500VDC
  - OPERATING TEMP: 0°C to 55°C
  - LED VOLTAGE: 6VDC
  - ▲ DENOTES CRITICAL PARAMETER.
  - 2011/65/EC (ROHS) COMPLIANT



A	22526	New Release	9/28/16	MW
REV	PCR NO	DESCRIPTION	DATE	BY

TITLE	R713FE3-SXXX1B4RAW			
-------	--------------------	--	--	--

SCALE	DATE	DR	DWG	REV
1:1	9/28/2016	MW	C700034	A

THE INFORMATION CONTAINED IN THIS DOCUMENT IS PROPRIETARY TO E-SWITCH AND IS NOT TO BE COPIED OR TRANSFERRED

## X-ON Electronics

Largest Supplier of Electrical and Electronic Components

*Click to view similar products for [Rocker Switches](#) category:*

*Click to view products by [E-Switch](#) manufacturer:*

Other Similar products are found below :

[LTILA6E-1S-WH-RC-FN12VXCR1](#) [6-1571986-9](#) [8055K23Z7V](#) [8055K52Z7V](#) [8138K20E6M50](#) [PREDD5-07F-BB0GW](#) [999-16716-002](#)  
[A101J1V3Q004](#) [A101J51CB0004](#) [A103J1ZQ004](#) [A201J1AQ004](#) [A201J50ZQ004](#) [A435S1YZQ](#) [H8653VBBG2577W](#)  
[HB130CHNWWNAAC](#) [R13112ABB-602W](#) [1251.0303](#) [1352.0107](#) [1500G51E](#) [1571099-3](#) [1571987-4](#) [1571987-5](#) [1571988-5](#) [B123J77V7B2](#)  
[160212E](#) [1634200-7](#) [1801.1164](#) [PANEL-PLUG-VHP-BLACK](#) [PANEL-PLUG-VHP-WT](#) [K2ABAAAAAA](#) [250011E714](#) [2600R21E](#) [260413E](#)  
[2639LH/2A7/127000L0](#) [LL3AZXX-100-XGT1](#) [LL3AZXX-100-XHS1](#) [LL3AZXX-100-XSD1](#) [30-695B](#) [160311E](#) [A103J3ZQ004](#)  
[A201J61ZQ0004](#) [1852.1102](#) [1890.1104](#) [191.081.011](#) [AE107J1AQ004](#) [1935.3128](#) [1935.3133](#) [1MR7-B](#) [T8601VBBB-GOLD-CNTS](#)  
[AML26FBC2AA01R](#)