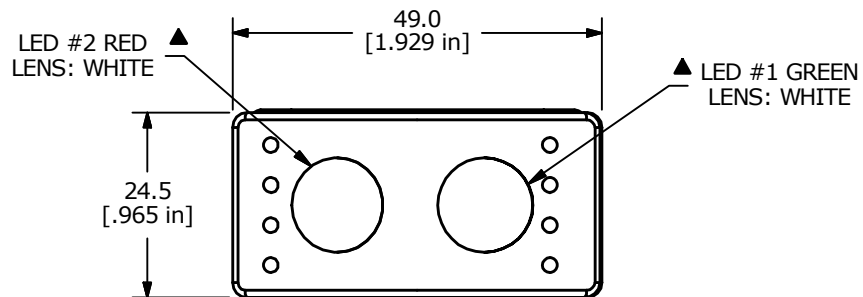
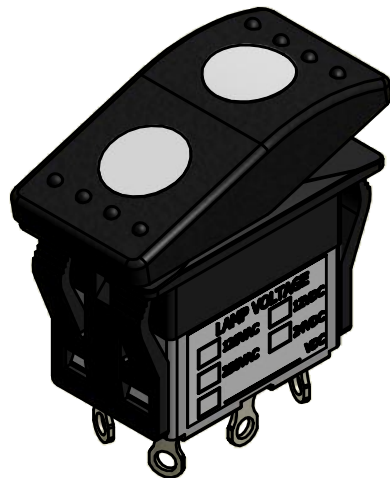
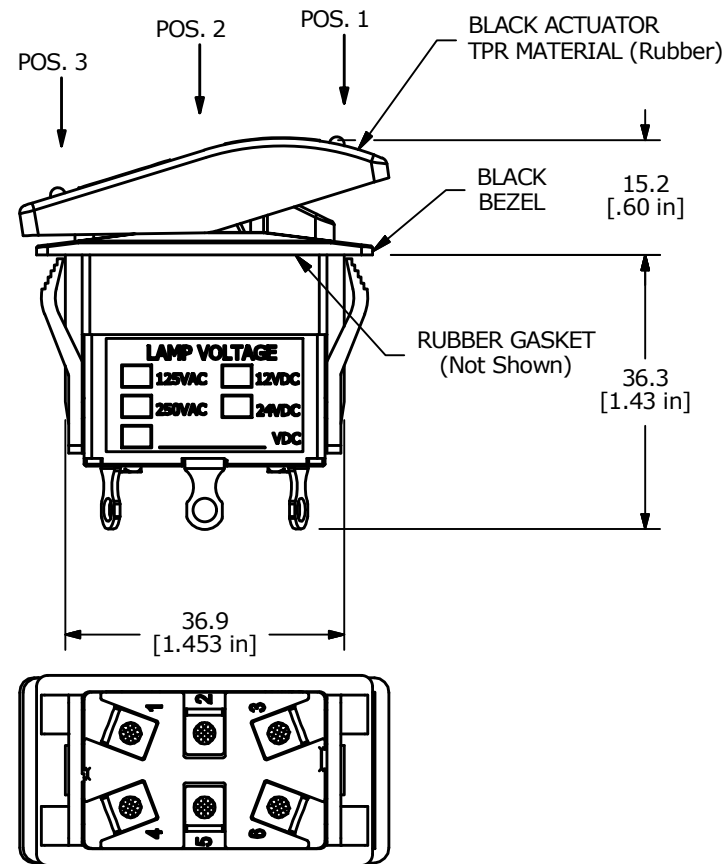
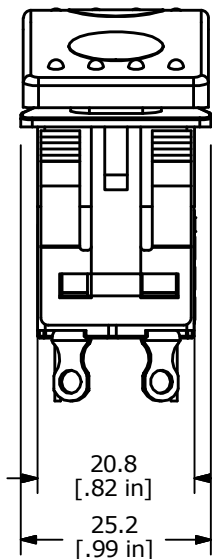
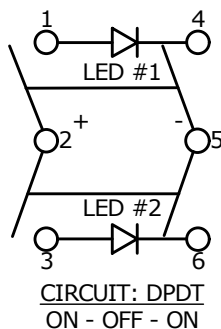


RECOMMENDED PANEL CUT-OUT

PANEL THICKNESS	X
1.0 - 1.5	37.3 ^{+0.0} _{-0.1}
2.5 - 3.0	37.5 ^{+0.0} _{-0.1}
3.5 - 4.5	37.7 ^{+0.0} _{-0.1}



SWITCH FUNCTION		
POS. 1	POS. 2	POS. 3
ON	OFF	ON
1-2; 4-5	OFF	2-3; 5-6



- NOTES:
- ALL DIMENSIONS IN MM [INCH]
 - GENERAL TOLERANCE: X.X=±0.4
X.XX=±0.25
 - TERM. NOS. FOR REF. ONLY
 - RATING: 20(8)A @125/250VAC 50/60Hz, T85/T55
 - ELECTRICAL LIFE: 10,000 CYCLES
 - MECHANICAL LIFE: 30,000 CYCLES
 - CONTACT RESISTANCE: <20 MILLI-OHMS INITIAL
 - DIELECTRIC STRENGTH: >1,500V AC 1MIN
 - INSULATION RESISTANCE: >100 MOHMS @ 500VDC
 - OPERATING TEMP: 0°C to 55°C
 - LED VOLTAGE: 125VAC
 - ▲ DENOTES CRITICAL PARAMETER.
 - 2011/65/EU (ROHS) COMPLIANT



A	22297	NEW RELEASE	5/20/16	MJR
REV	PCR NO	DESCRIPTION	DATE	BY

TITLE R723SF3-SXXX4B2GRW				
SCALE 1:1	DATE 5/9/2016	DR MJR	DWG C700027	REV A

THE INFORMATION CONTAINED IN THIS DOCUMENT IS PROPRIETARY TO E-SWITCH AND IS NOT TO BE COPIED OR TRANSFERRED

X-ON Electronics

Largest Supplier of Electrical and Electronic Components

Click to view similar products for [Rocker Switches](#) category:

Click to view products by [E-Switch](#) manufacturer:

Other Similar products are found below :

[LTILA6E-1S-WH-RC-FN12VXCR1](#) [6-1571986-9](#) [8055K23Z7V](#) [8055K52Z7V](#) [8138K20E6M50](#) [PREDD5-07F-BB0GW](#) [999-16716-002](#)
[A101J1V3Q004](#) [A101J51CB0004](#) [A103J1ZQ004](#) [A201J1AQ004](#) [A201J50ZQ004](#) [A435S1YZQ](#) [H8653VBBG2577W](#)
[HB130CHNWWNAAC](#) [R13112ABB-602W](#) [1251.0303](#) [1352.0107](#) [1500G51E](#) [1571099-3](#) [1571987-4](#) [1571987-5](#) [1571988-5](#) [B123J77V7B2](#)
[160212E](#) [1634200-7](#) [1801.1164](#) [PANEL-PLUG-VHP-BLACK](#) [PANEL-PLUG-VHP-WT](#) [K2ABAAAAAA](#) [250011E714](#) [2600R21E](#) [260413E](#)
[2639LH/2A7/127000L0](#) [LL3AZXX-100-XGT1](#) [LL3AZXX-100-XHS1](#) [LL3AZXX-100-XSD1](#) [30-695B](#) [160311E](#) [A103J3ZQ004](#)
[A201J61ZQ0004](#) [1852.1102](#) [1890.1104](#) [191.081.011](#) [AE107J1AQ004](#) [1935.3128](#) [1935.3133](#) [1MR7-B](#) [T8601VBBB-GOLD-CNTS](#)
[AML26FBC2AA01R](#)