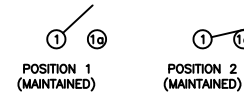


SCHEMATIC



SPECIFICATIONS

FUNCTION:
1P1T OFF-ON

RATINGS:
ANSI/UL 1054 and CAN/CSA C22.2 No. 55 (E194579):
16A 125VAC [UR, cUR]
10A 250VAC [UR, cUR]
1/3HP 125/250VAC [UR, cUR]

EN 61058-1:2002:
10(4)A 250V~ μ 1E4 T125/55 [ENEC14]
10(2)A 250V~ μ 5E4 T85/55 [ENEC14]

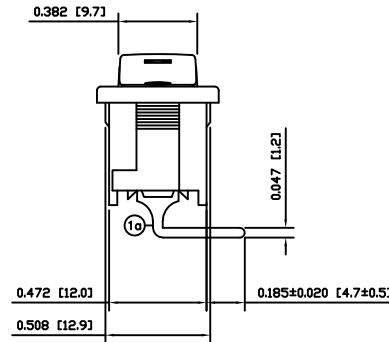
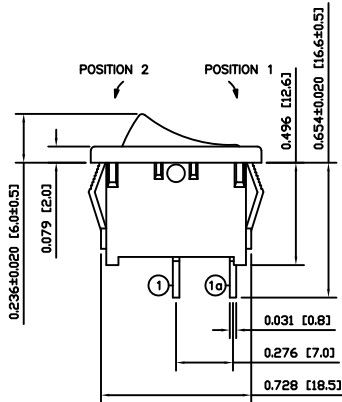
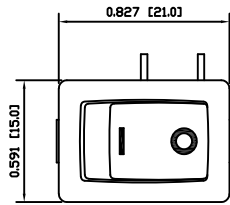
CONTACT RESISTANCE:
Initial: 35mΩ Max. at 50VAC

INSULATION RESISTANCE:
100MΩ Min. at 500VDC

DIELECTRIC STRENGTH:
1,500VAC For 1 Minute

ELECTRICAL LIFE:
6,000 Cycles [UR, cUR]
10,000 Cycles [ENEC14: 10(4)A 250V~]
50,000 Cycles [ENEC14: 10(2)A 250V~]

TEMPERATURE:
Operating: -20°C to 105°C [UR, cUR]
Operating: -20°C to 125°C [ENEC14: 10(4)A 250V~]
Operating: -20°C to 85°C [ENEC14: 10(2)A 250V~]



COLORS AND MARKINGS

BODY:
Black

ACTUATOR:
Black

MARKINGS:
/O Horizontal (R)

MARKING COLOR:
White

MATERIALS

BODY:
Polyamide 6/6 (PA66), UL94 V-2

ACTUATOR:
Polyamide 6/6 (PA66), UL94 V-2

SPRING:
Steel

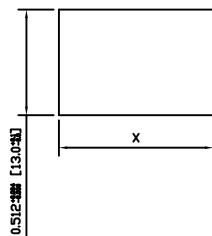
BALL:
Steel

MOBILE CONTACT:
Silver Alloy

CONTACTS:
Silver Alloy

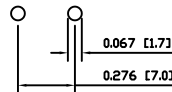
TERMINALS:
Silver Plated Copper

SUGGESTED PANEL CUTOUT



PANEL THICKNESS		X
0.030~0.049	[0.75~1.25]	0.756 [19.2]
0.049~0.079	[1.25~2.00]	0.764 [19.4]
0.079~0.118	[2.00~3.00]	0.772 [19.6]

SUGGESTED PCB CUTOUT



ACTUATOR	A	09/05/04	CAB
BODY	A	09/05/04	CAB
COLORS	A	09/05/04	CAB
MATERIALS	A	09/05/04	CAB
SPECIFICATIONS	B	09/06/13	CAB
REFERENCE	REV.	DATE	BY

THE INFORMATION CONTAINED IN THIS DOCUMENT IS PROPRIETARY TO E-SWITCH-LAMB INDUSTRIES AND IS NOT TO BE COPIED OR TRANSFERRED

B	REMOVED SEMKO RATING	23428	06/28/18	MJR
A	INITIAL RELEASE	18773	10/01/14	CAB
REV.	DESCRIPTION	PCR	DATE	DRAWN BY

DIMENSIONS	
INCHES [MILLIMETERS]	
GENERAL TOLERANCES	
±0.008 [±0.2] / ±1'	
SCALE	PROJECTION
DRAWING NOT TO SCALE	1:1

RA1H1C112R

DRAWING NUMBER	DATE	REVISION
38-RA1H1C112R	JANUARY 14, 2010	B

X-ON Electronics

Largest Supplier of Electrical and Electronic Components

Click to view similar products for [Rocker Switches](#) category:

Click to view products by [E-Switch](#) manufacturer:

Other Similar products are found below :

[LTI LA6E-1S-WH-RC-FN12VXCR1](#) [6-1571986-9](#) [8007K26N324V52](#) [8055K32Z7V](#) [8055K52Z7V](#) [8138K20E6M50](#) [84206L](#) [84312LX](#)
[PREDD5-07F-BB0GW](#) [999-16716-002](#) [999-16716-003](#) [999-16716-004](#) [A101J1V3Q004](#) [A101J2ZQ004](#) [A101J4ZQ004](#) [A101J51CB0004](#)
[A103J1ZQ004](#) [A201J1AQ004](#) [A201J3ZB004](#) [A201J50ZQ004](#) [A203J51ZQ0004](#) [A435S1YZQ](#) [H8500XBBBBL-A](#) [H8653VBBG2577W](#)
[HB130CHNWWNAAC](#) [R13112ABB-602W](#) [1251.0303](#) [AE205J60V3B004](#) [1352.0107](#) [1500G51E](#) [1571099-3](#) [1571987-4](#) [1571987-5](#)
[1571989-7](#) [1571988-5](#) [B123J77V7B2](#) [B226J50W4Q22P](#) [B433J37ZQ22M](#) [160212E](#) [1634200-7](#) [1801.1164](#) [1839.1502](#) [PANEL-PLUG-VHP-](#)
[BLACK](#) [PANEL-PLUG-VHP-WT](#) [K1ABBSCADN](#) [K2ABAAAAAA](#) [KG312A2DXD246X](#) [250011E714](#) [2600HM11E](#) [2600R21E](#)