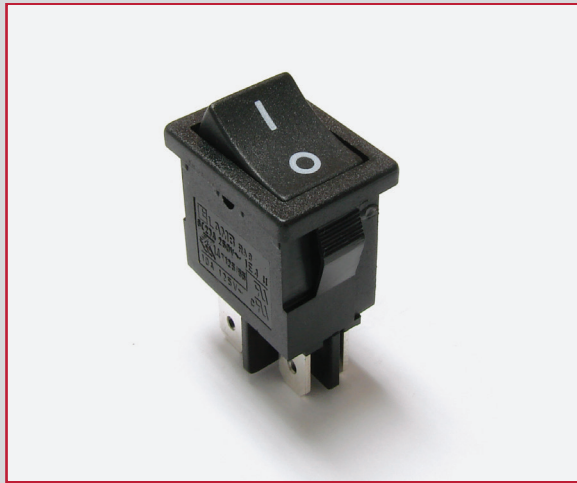
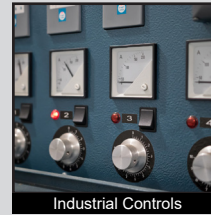


# RA8 SERIES ROCKER SWITCH

ANTI-VANDAL SWITCHES  
DETECTOR SWITCHES  
DIP SWITCHES  
KEYLOCK SWITCHES  
NAVIGATION SWITCHES  
PUSHBUTTON SWITCHES  
ROCKER SWITCHES  
ROTARY SWITCHES  
SLIDE SWITCHES  
SNAP ACTION SWITCHES  
TACTILE SWITCHES  
TOGGLE SWITCHES  
CAP OPTIONS



## APPLICATIONS / MARKETS



**RoHS**

## SPECIFICATIONS

### Electrical Rating:

Option 3: 10A 125VAC [cURus]  
6(2)A 250VAC T125/55 1E4 [ENEC]  
Option C: 16A @ 125VAC 1/3HP T105 [cURus]  
10A @ 250VAC 1/3HP T105 [cURus]  
10(4)A 250V~ 1E4 T125/55 [ENEC]  
10(2)A 250V~ 5E4 T85/55 [ENEC]

**Operating Temperature:** -20°C to 55°C  
**Electrical Life:** 10,000 Cycles  
**Mechanical Life:** 100,000 Cycles  
**Contact Resistance:** 35mΩ Max. at 500VDC  
**Insulation Resistance:** 500MΩ Min. at 500VDC  
**Dielectric Strength:** 1,500VAC for 1 min.

## FEATURES & BENEFITS

- High Contact Rating Switch
- Industry Standard 13mm x 19mm Cutout
- Illumination Options
- Multiple Marking Options
- Multiple Terminal Options
- 1 or 2 Pole Maintained Functions

## PART NUMBER CONFIGURATOR

| Series | Terminal                      | Function                               | Rating                           | Body Color                                    | Actuator Color   | Marking Color                                 | Marking Type   | Lens Style                         | Lens Color  | Lamp Voltage  |
|--------|-------------------------------|--|----------------------------------|---|--|---|--|------------------------------------|---|---|
| RA8    | 1 - 4.8mm Tab<br>3 - PCB Pins | 1 - 1 Pole Off-On<br>2 - 2 Pole Off-On | 3 - 10A 125VAC<br>C - 16A 125VAC | 1 - Black<br>2 - White<br>4 - Grey<br>9 - Red | 0 - Illuminated<br>1 - Black<br>2 - White<br>4 - Grey<br>9 - Red | 0 - None<br>1 - Black<br>2 - White<br>8 - Red | 0 - None<br>1 - I/O Vertical<br>3 - ON-OFF Vertical<br>4 - ON-OFF Horizontal<br>R - I/O Horizontal | None - Not Illuminated<br>1 - Full | None - Not Illuminated<br>0 - White<br>1 - Red<br>2 - Orange<br>3 - Green | None - Not Illuminated<br>3 - 6V<br>4 - 12V<br>6 - 125V<br>7 - 250V |

Notes:  
Custom Colors and Markings Available Upon Request

Specifications subject to change without notice 10.29.2018



**E-SWITCH®**

www.e-switch.com

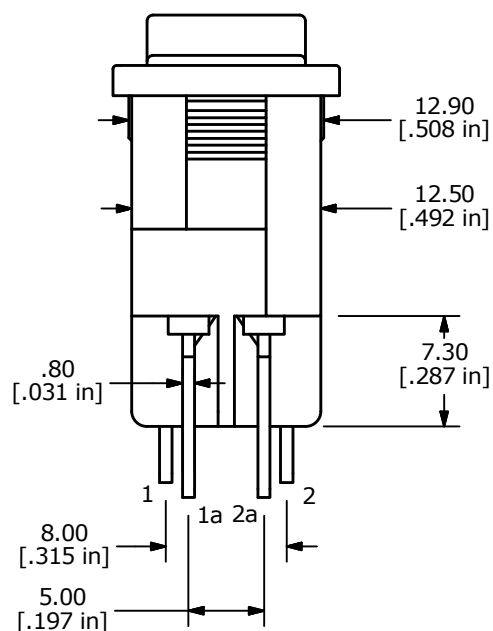
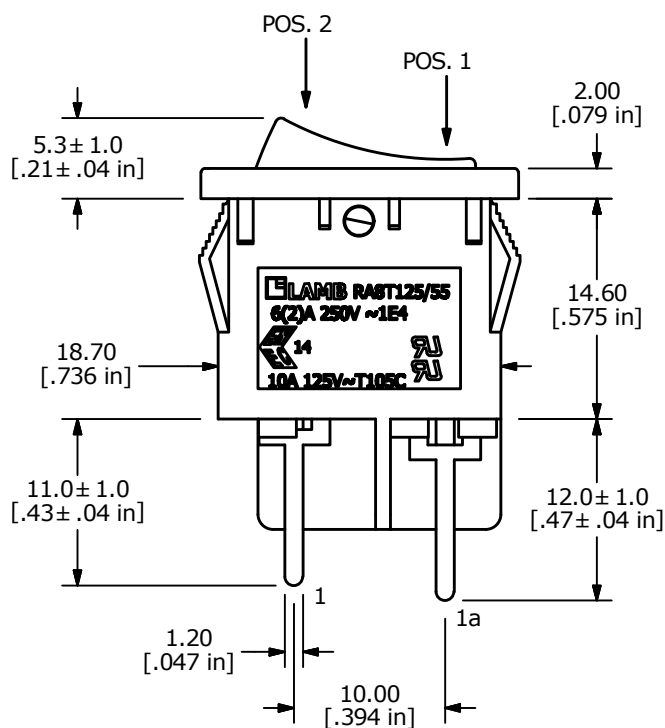
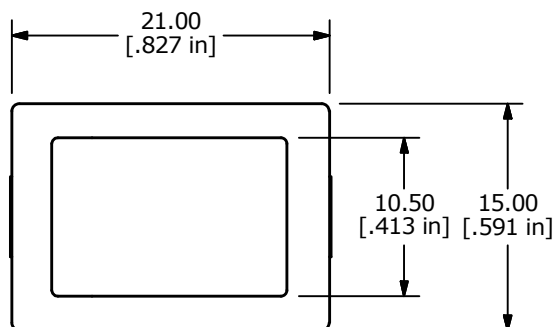
800.867.2717

1

# RA8 SERIES ROCKER SWITCH

## BODY DIMENSIONS

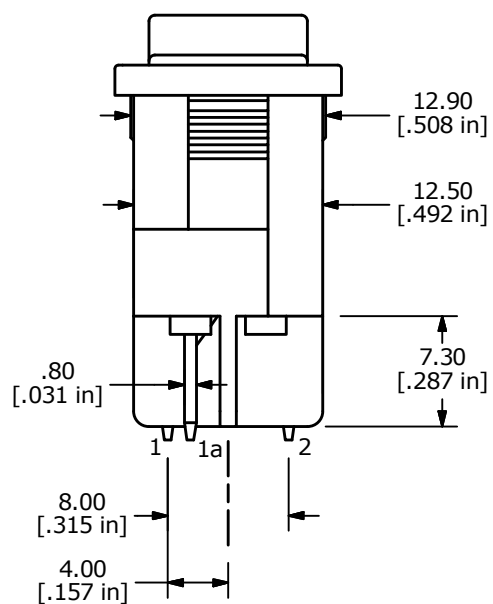
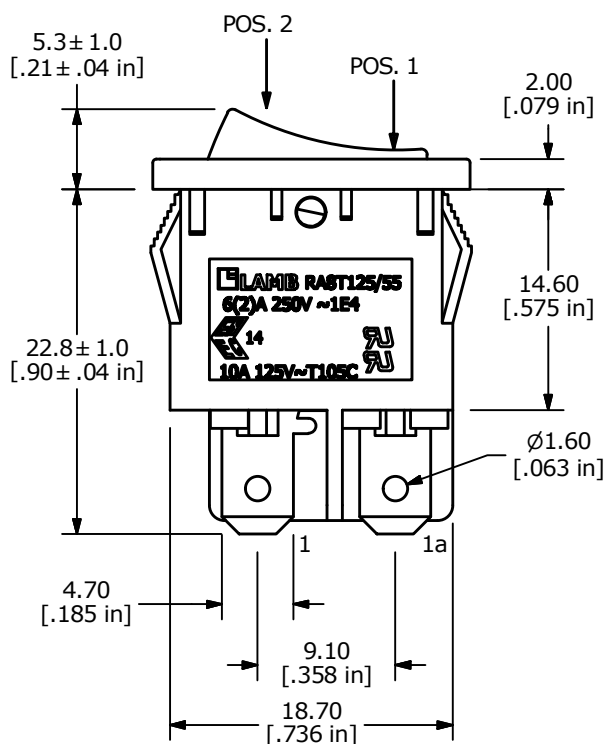
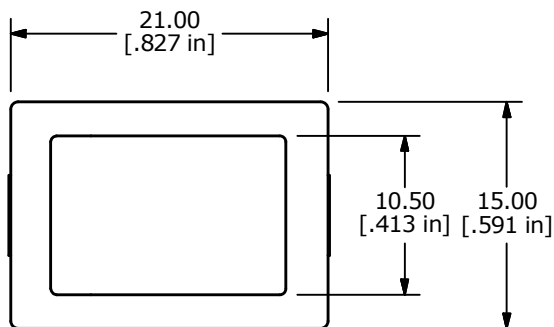
FUNCTION - 2 POLE /  
 TERMINAL - 3 (PCB Pins) / LENS STYLE - NONE



# RA8 SERIES ROCKER SWITCH

## BODY DIMENSIONS

FUNCTION - 1 POLE /  
 TERMINAL - 1 (4.8mm TAB) / LENS STYLE - 1 FULL ILLUMINATION

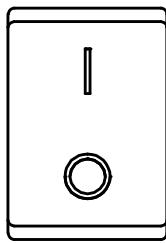


# RA8 SERIES ROCKER SWITCH

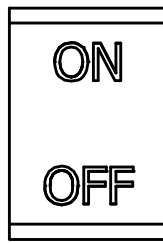
## MARKING TYPE



0 - NONE



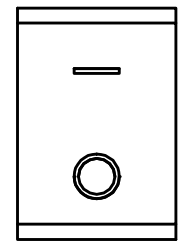
1 - I/O  
VERTICAL



3 - ON-OFF  
VERTICAL

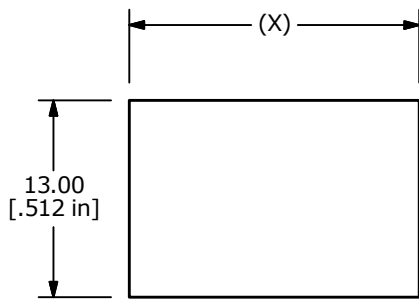


4 - ON-OFF  
HORIZONTAL

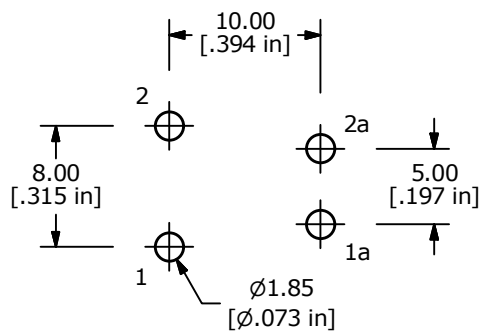


R - I/O  
HORIZONTAL

## PANEL CUT OUT, PCB LAYOUT, & SCHEMATICS

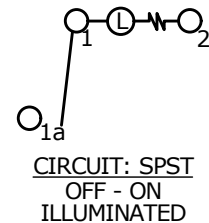
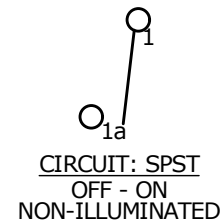


| PANEL THICKNESS | X    |
|-----------------|------|
| 0.75 - 1.25     | 19.2 |
| 1.25 - 2.00     | 19.4 |
| 2.00 - 3.00     | 19.6 |

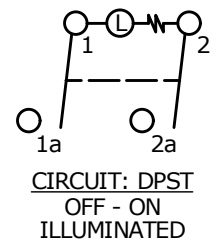
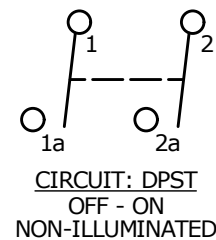


RECOMMENDED PANEL CUTOUT AND PCB LAYOUT

| SWITCH FUNCTION |         |
|-----------------|---------|
| POS. 1          | POS. 2  |
|                 |         |
| OFF             | ON      |
| OPEN            | 1-1a, 2 |



| SWITCH FUNCTION |            |
|-----------------|------------|
| POS. 1          | POS. 2     |
|                 |            |
| OFF             | ON         |
| OPEN            | 1-1a, 2-2a |



SCHEMATIC OPTIONS



## X-ON Electronics

Largest Supplier of Electrical and Electronic Components

*Click to view similar products for [Rocker Switches](#) category:*

*Click to view products by [E-Switch](#) manufacturer:*

Other Similar products are found below :

[LTI LA6E-1S-WH-RC-FN12VXCR1](#) [6-1571986-9](#) [8007K26N324V52](#) [8055K32Z7V](#) [8055K52Z7V](#) [8138K20E6M50](#) [84206L](#) [84312LX](#)  
[PREDD5-07F-BB0GW](#) [999-16716-002](#) [999-16716-003](#) [999-16716-004](#) [A101J1V3Q004](#) [A101J2ZQ004](#) [A101J4ZQ004](#) [A101J51CB0004](#)  
[A103J1ZQ004](#) [A201J1AQ004](#) [A201J3ZB004](#) [A201J50ZQ004](#) [A203J51ZQ0004](#) [A435S1YZQ](#) [H8500XBBBBBL-A](#) [H8653VBBG2577W](#)  
[HB130CHNWWNAAC](#) [R13112ABB-602W](#) [1251.0303](#) [AE205J60V3B004](#) [1352.0107](#) [1500G51E](#) [1571099-3](#) [1571987-4](#) [1571987-5](#)  
[1571989-7](#) [1571988-5](#) [B123J77V7B2](#) [B226J50W4Q22P](#) [B433J37ZQ22M](#) [160212E](#) [1634200-7](#) [1801.1164](#) [1839.1502](#) [PANEL-PLUG-VHP-](#)  
[BLACK](#) [PANEL-PLUG-VHP-WT](#) [K1ABBSCADN](#) [K2ABAAAAAA](#) [KG312A2DXD246X](#) [250011E714](#) [2600HM11E](#) [2600R21E](#)