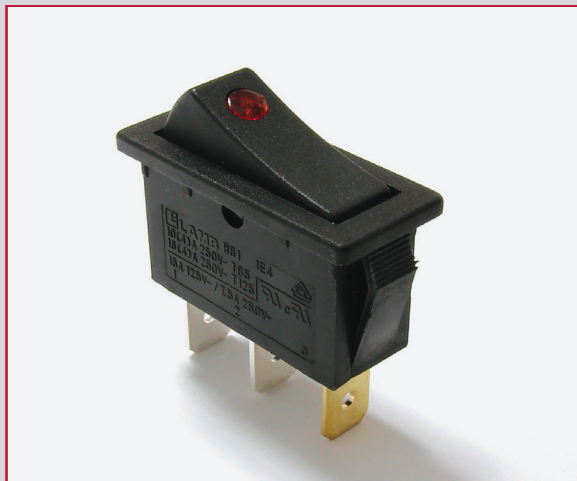


RB1 SERIES ROCKER SWITCH

ANTI-VANDAL SWITCHES
DETECTOR SWITCHES
DIP SWITCHES
KEYLOCK SWITCHES
NAVIGATION SWITCHES
PUSHBUTTON SWITCHES
ROCKER SWITCHES
ROTARY SWITCHES
SLIDE SWITCHES
SNAP ACTION SWITCHES
TACTILE SWITCHES
TOGGLE SWITCHES
CAP OPTIONS



APPLICATIONS / MARKETS



RoHS

SPECIFICATIONS

Electrical Rating:

Option C: 15A 125VAC T85 [cURus]
7.5A 250VAC T85 [cURus]
16(4)A 250V~ 1E4 T125/55 [ENEC]

Option D (2 Position Functions):

20A 125VAC T105 [cURus]
16A 250VAC T105 [cURus]
3/4HP 125VAC T105 [cURus]
3/4HP 250VAC T105 [cURus]
20(8)A 250V~ 1E4 T125/55 [VDE, ENEC]
10(2)A 250V~ 5E4 T85/55 [VDE, ENEC]
16(4)A 250V~ 1E4 T85/55 [VDE, ENEC]

Option E (3 Position Functions):

16A 125VAC T65 [cURus]
16A 250VAC T65 [cURus]

Operating Temperature: -20°C to 65°C

Electrical Life: 10,000 Cycles

Contact Resistance: 35mΩ Max. at 50VAC

Insulation Resistance: 100MΩ Min. at 500VDC

Dielectric Strength: 1,500VAC for 1 min.

Ingress Protection: IP54 with optional silicone cap

FEATURES & BENEFITS

- High Quality and Reliable Switch
- Industry Standard 11mm x 30mm Cutout
- Illumination Options
- Marking Options
- Multiple Terminal and Actuator Options
- Front Panel Mount Applications
- Optional Cap for Dust and Water Protection
- 1 Pole Maintained and Momentary Functions

PART NUMBER CONFIGURATOR

Series	Terminal	Function	Rating	Body Color	Actuator Color	Marking Color	Marking Type	Lens Style	Lens Color	Lamp Voltage
RB1	1 - 4.8mm 4 - 6.3mm	1 - Off-On 3 - On-On 4 - Off-(On) 5 - On-Off-On A - On-(Off) B - On-(On) C - On-Off-(On) D - (On)-Off-(On)	C - 15A 125V D - 20A 125V E - 16A 125V	1 - Black 2 - White 3 - Almond 4 - Grey 9 - Red	0 - None 1 - Black 2 - White 3 - Almond 4 - Grey 5 - Orange 7 - Blue 8 - Green 9 - Red	0 - None 1 - Black 2 - White 8 - Red	0 - None 1 - I/O Vertical 2 - ON-OFF-ON Vertical 3 - ON-OFF Vertical 4 - ON-OFF Horizontal 9 - I/O/II Horizontal R - I/O Horizontal S - I/O/II Vertical	None - Not Illuminated 1 - Full 2 - Round*	None - Not Illuminated 0 - Clear 1 - Red 2 - Amber 3 - Green 4 - Blue 5 - Yellow	None - Not Illuminated 4 - 12V 5 - 24V 6 - 125V 7 - 250V

Notes:

Custom Colors and Markings Available Upon Request

() = Denotes Momentary Function

* = Only Available with the "C" Rating

Specifications subject to change without notice 8.14.2018



E-SWITCH®

www.e-switch.com

800.867.2717

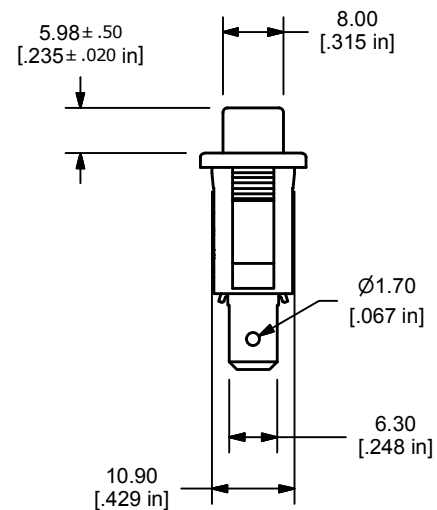
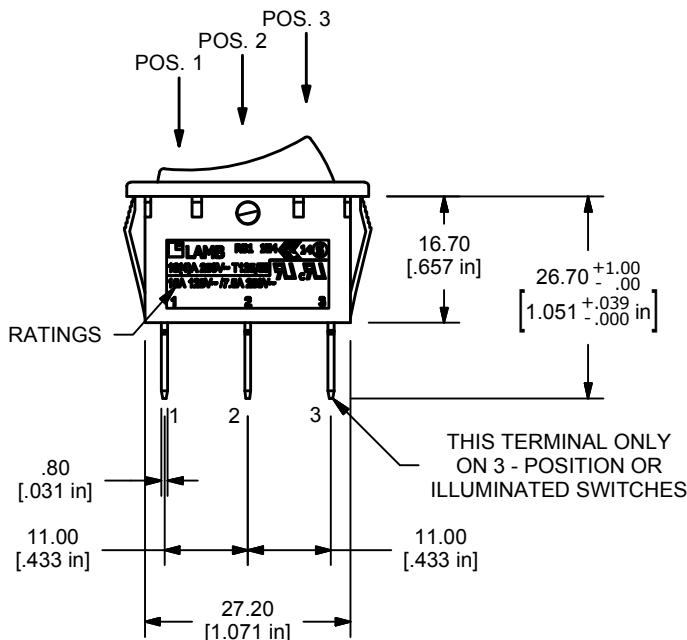
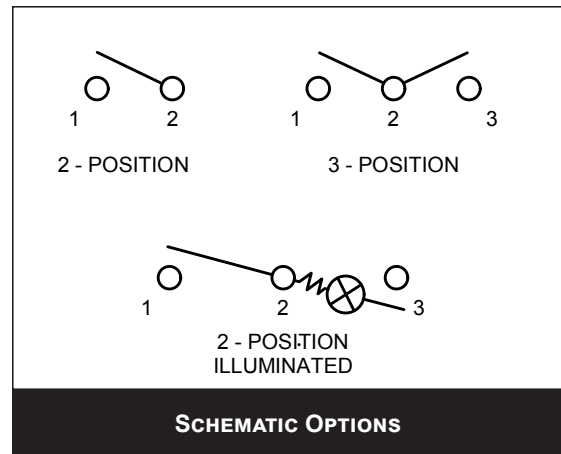
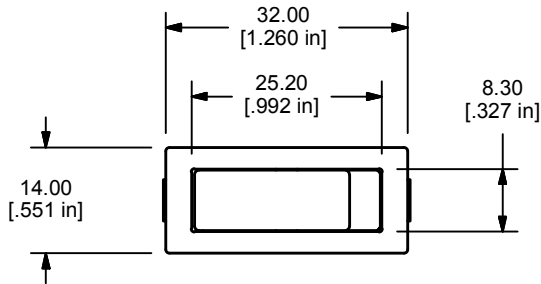
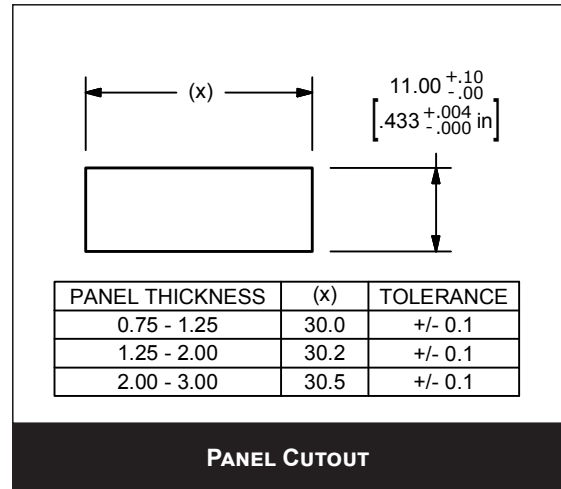
1

RB1 SERIES ROCKER SWITCH

BODY DIMENSIONS

FUNCTION	POS. 1	POS. 2	POS. 3
1	OFF	NONE	ON
3	ON	NONE	ON
4	OFF	NONE	(ON)
5	ON	OFF	ON
A	ON	NONE	(OFF)
B	ON	NONE	(ON)
C	ON	OFF	(ON)
D	(ON)	OFF	(ON)
TERMINAL CLOSURE	2-3	OPEN	2-1

() = MOMENTARY



SHOWN WITH C - RATED BODY & TERMINAL - 4 (6.3mm TAB)



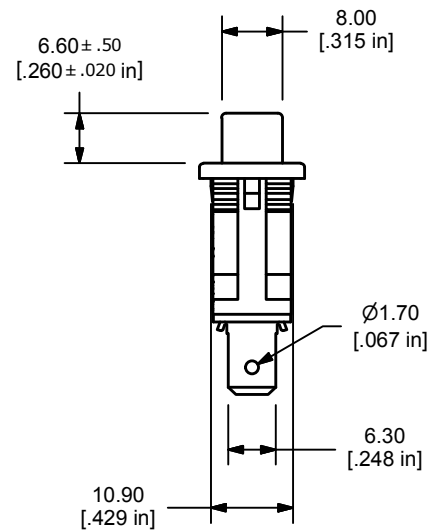
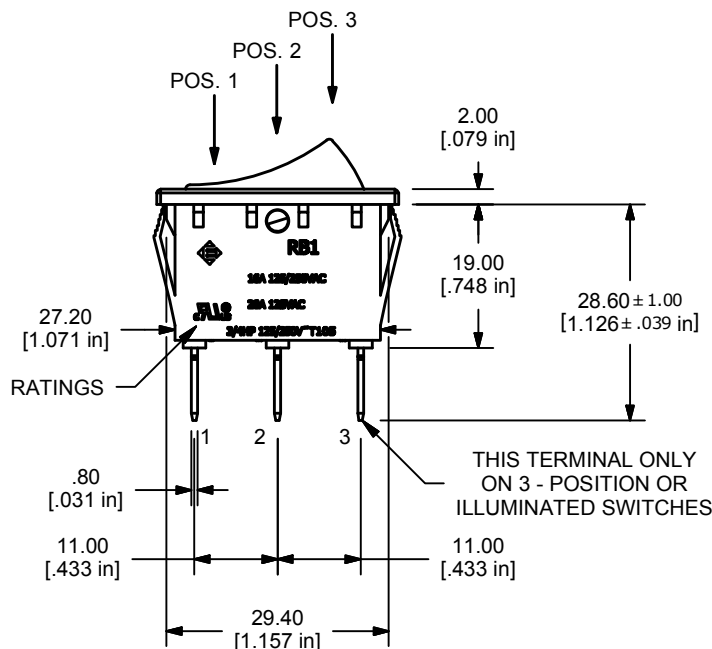
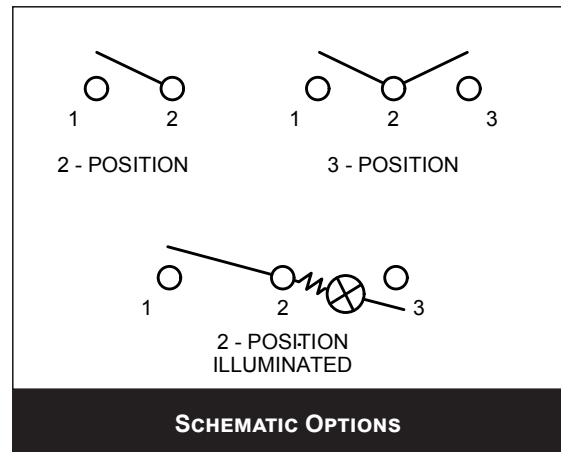
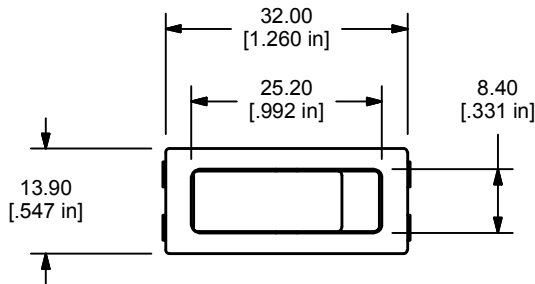
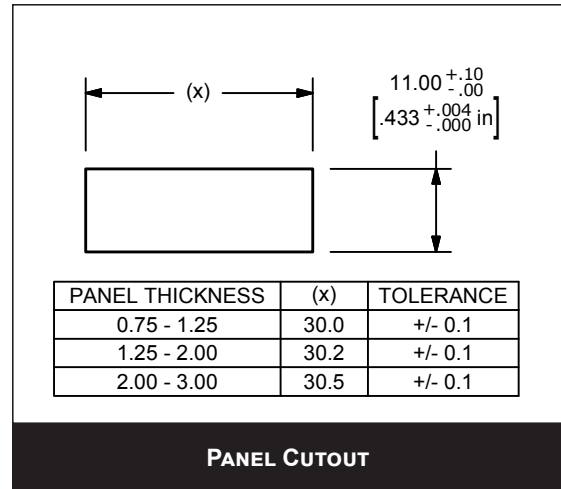
ANTI-VANDAL SWITCHES
 DETECTOR SWITCHES
 DIP SWITCHES
 KEYLOCK SWITCHES
 NAVIGATION SWITCHES
 PUSHBUTTON SWITCHES
ROCKER SWITCHES
 ROTARY SWITCHES
 SLIDE SWITCHES
 SNAP ACTION SWITCHES
 TACTILE SWITCHES
 TOGGLE SWITCHES
 CAP OPTIONS

RB1 SERIES ROCKER SWITCH

BODY DIMENSIONS

FUNCTION	POS. 1	POS. 2	POS. 3
1	OFF	NONE	ON
3	ON	NONE	ON
4	OFF	NONE	(ON)
5	ON	OFF	ON
A	ON	NONE	(OFF)
B	ON	NONE	(ON)
C	ON	OFF	(ON)
D	(ON)	OFF	(ON)
TERMINAL CLOSURE	2-3	OPEN	2-1

() = MOMENTARY



SHOWN WITH D - RATED BODY & TERMINAL - 4 (6.3mm TAB)

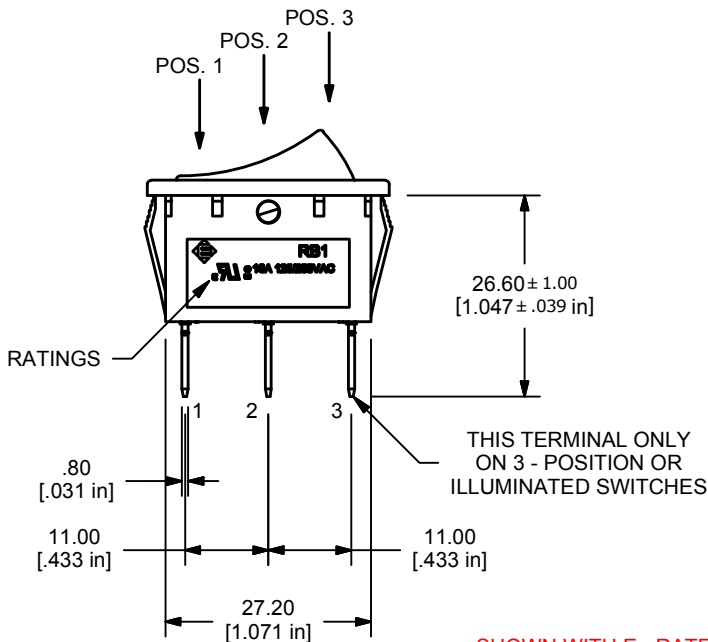
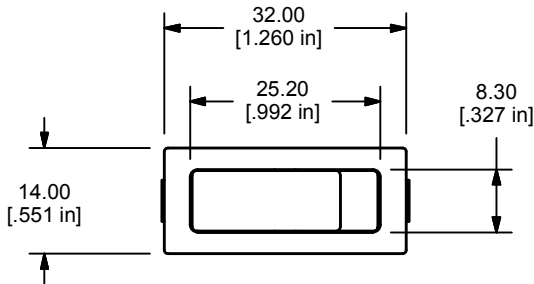


RB1 SERIES ROCKER SWITCH

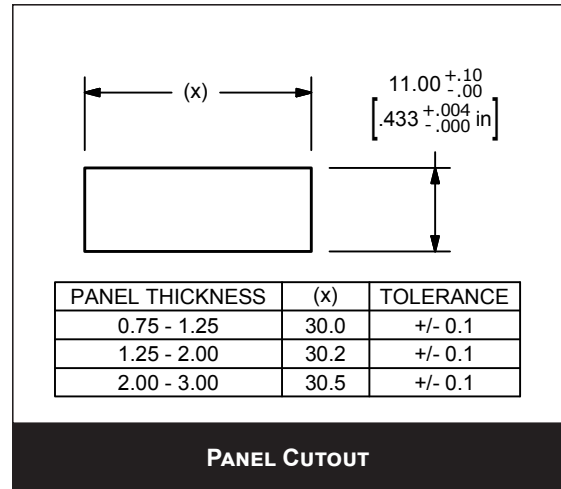
BODY DIMENSIONS

FUNCTION	POS. 1	POS. 2	POS. 3
1	OFF	NONE	ON
3	ON	NONE	ON
4	OFF	NONE	(ON)
5	ON	OFF	ON
A	ON	NONE	(OFF)
B	ON	NONE	(ON)
C	ON	OFF	(ON)
D	(ON)	OFF	(ON)
TERMINAL CLOSURE	2-3	OPEN	2-1

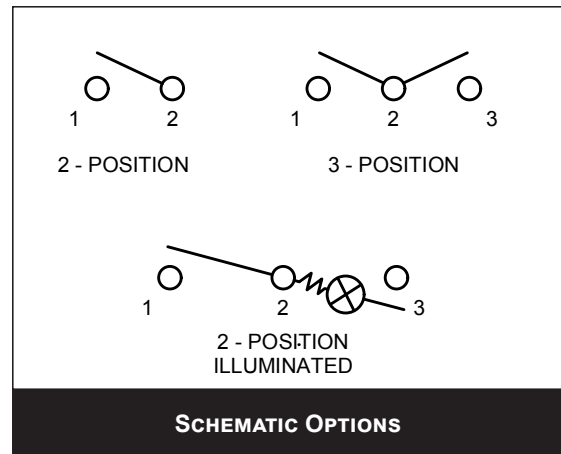
() = MOMENTARY



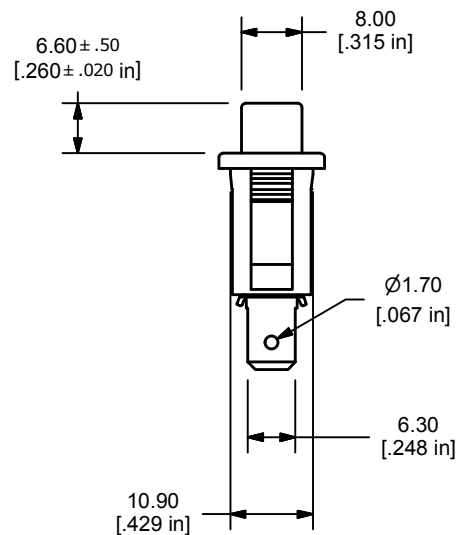
SHOWN WITH E - RATED BODY & TERMINAL - 4 (6.3mm TAB)



PANEL CUTOUT



SCHEMATIC OPTIONS

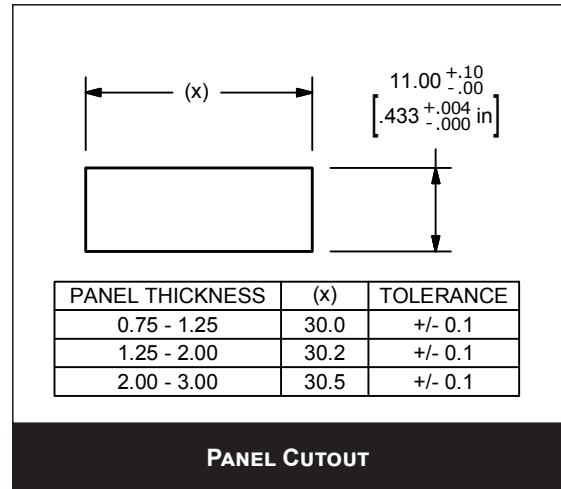


RB1 SERIES ROCKER SWITCH

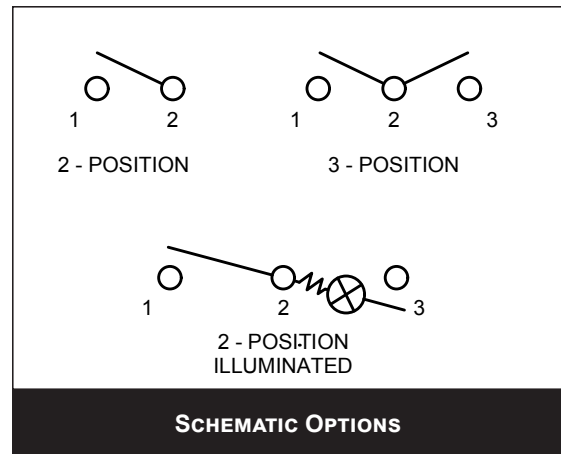
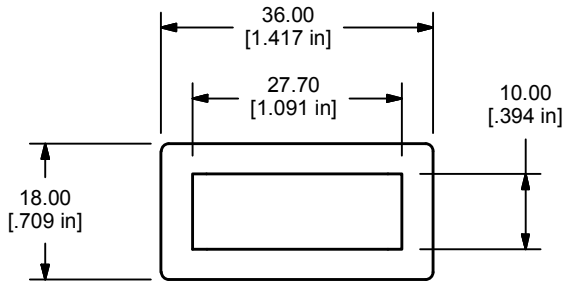
BODY DIMENSIONS

FUNCTION	POS. 1	POS. 2	POS. 3
1	OFF	NONE	ON
3	ON	NONE	ON
4	OFF	NONE	(ON)
5	ON	OFF	ON
A	ON	NONE	(OFF)
B	ON	NONE	(ON)
C	ON	OFF	(ON)
D	(ON)	OFF	(ON)
TERMINAL CLOSURE	2-3	OPEN	2-1

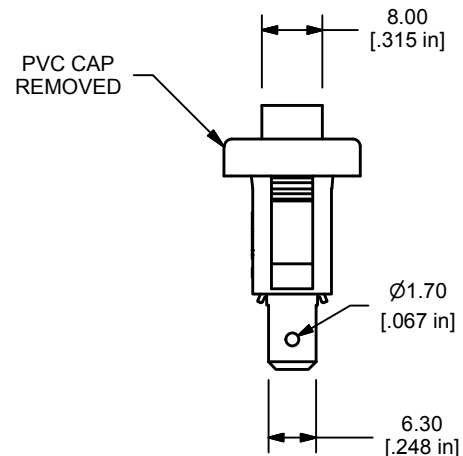
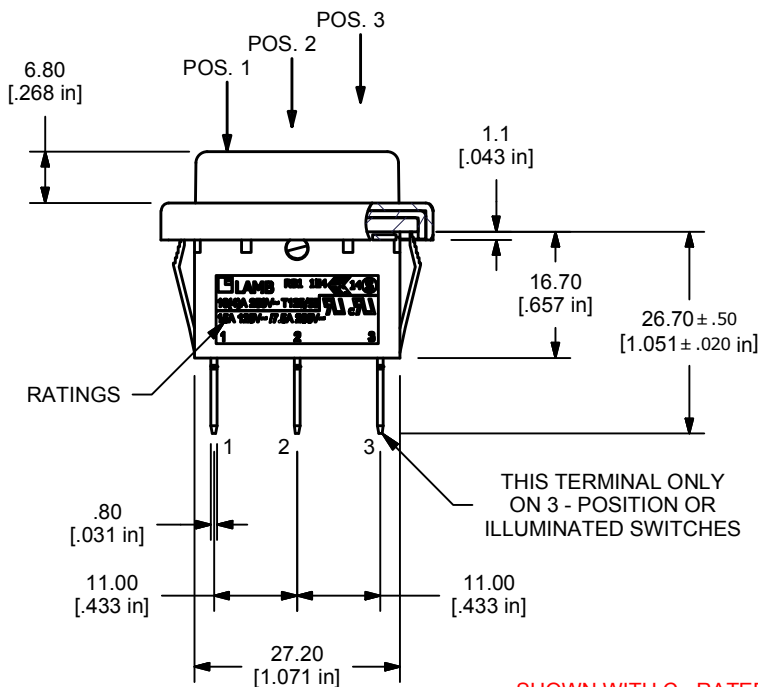
() = MOMENTARY



PANEL CUTOUT



SCHEMATIC OPTIONS



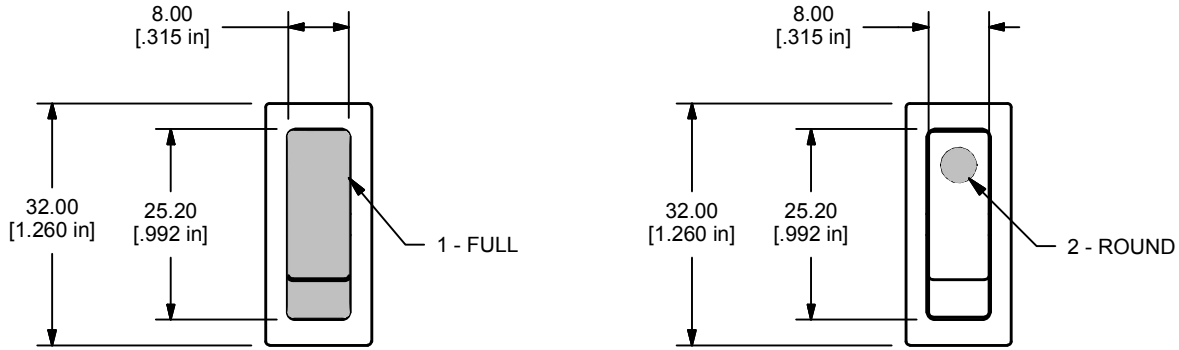
SHOWN WITH C - RATED BODY
 TERMINAL - 4 (6.3mm TAB)
 ACC-F01-1 (SILICONE CAP)



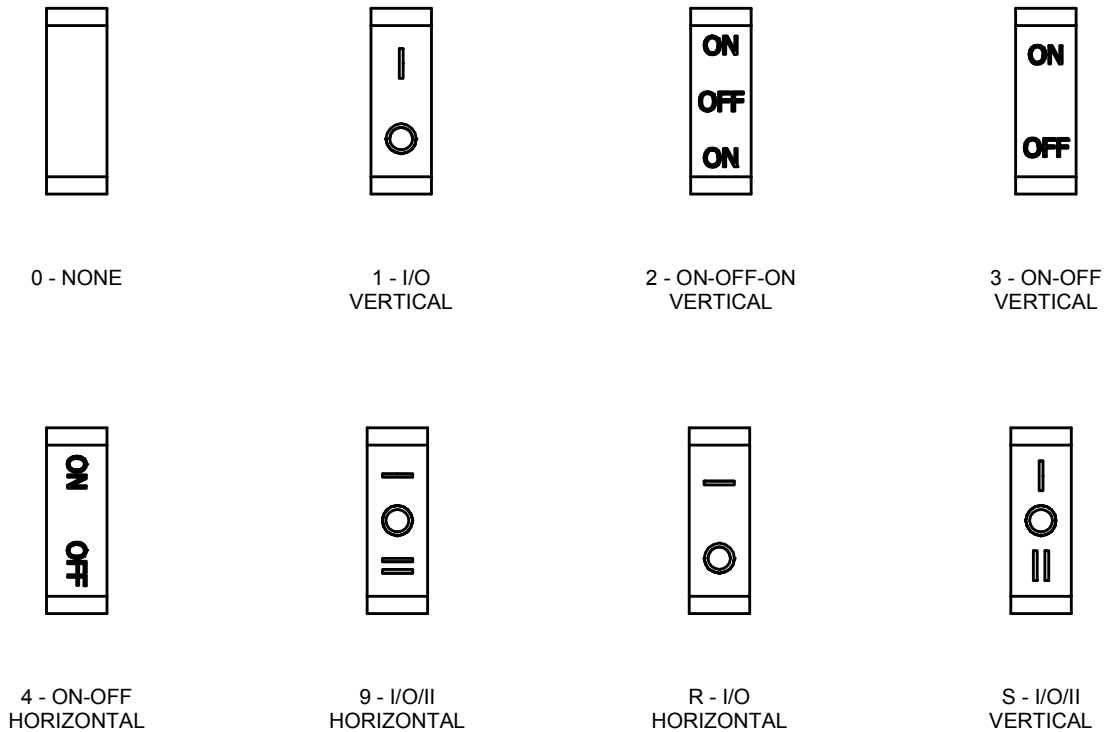
RB1 SERIES ROCKER SWITCH

ILLUMINATION TYPE/ MARKING TYPE

ILLUMINATION TYPE



MARKING TYPE



X-ON Electronics

Largest Supplier of Electrical and Electronic Components

Click to view similar products for [Rocker Switches](#) category:

Click to view products by [E-Switch](#) manufacturer:

Other Similar products are found below :

[VKD2GHNB-00000-000](#) [VSD2GNNB-00000-000](#) [6-1571986-5](#) [6-1571986-9](#) [632422-4B-KD](#) [7036WWCDBX653+U622](#) [8055K52Z7V](#)
[8138K20E6M50](#) [FMC18A2200002](#) [84206L](#) [84312LX](#) [PREDD4-07F-BB0FW](#) [PREDD5-07F-BB0GW](#) [PRFDD1-16F-BB000](#) [PRFDD3-16F-](#)
[BB000](#) [1-1634201-0](#) [999-16702-001](#) [A101J2ZQ004](#) [A101J4ZQ004](#) [A101J51CB0004](#) [A107J51ZQ0004](#) [A201J1AQ004](#) [A201J1AV2Q004](#)
[A201J3ZB004](#) [A201J50ZQ004](#) [A203J51ZQ0004](#) [A226L11YZQ](#) [A22L11A](#) [A435S1YZQ](#) [H8500XBBBBL-A](#) [H8653VBBG2577W](#)
[HB130CHNWWNAAC](#) [1251.0303](#) [AE205J60V3B004](#) [RH110C2NBB](#) [1352.0107](#) [1363.0201](#) [AML25GBF2AA03GR](#) [1571099-3](#) [1571987-4](#)
[1571987-5](#) [1571989-7](#) [B123J77V7B2](#) [B226J50W4Q22P](#) [B433J37ZQ22M](#) [160212E](#) [1801.1164](#) [1831.1102](#) [1833.3402](#) [1837.1118](#)