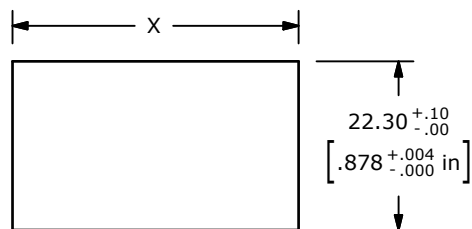
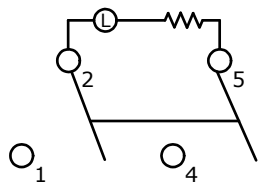
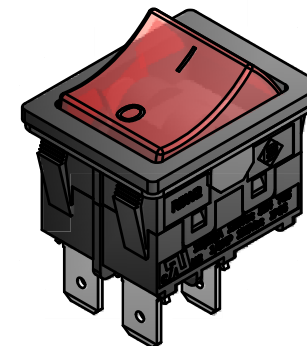
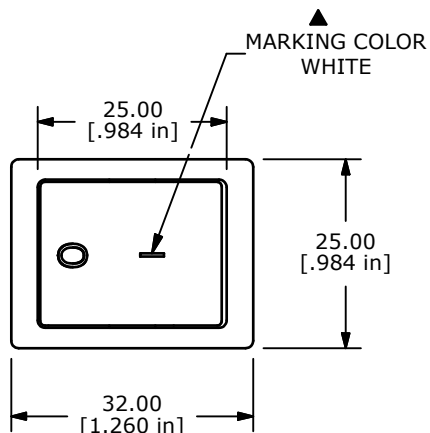


SWITCH FUNCTION ▲		
POS. 1	POS. 2	POS. 3
OFF	NONE	ON
OPEN	N/A	2-1, 5-4



RECOMMENDED PANEL MOUNTING

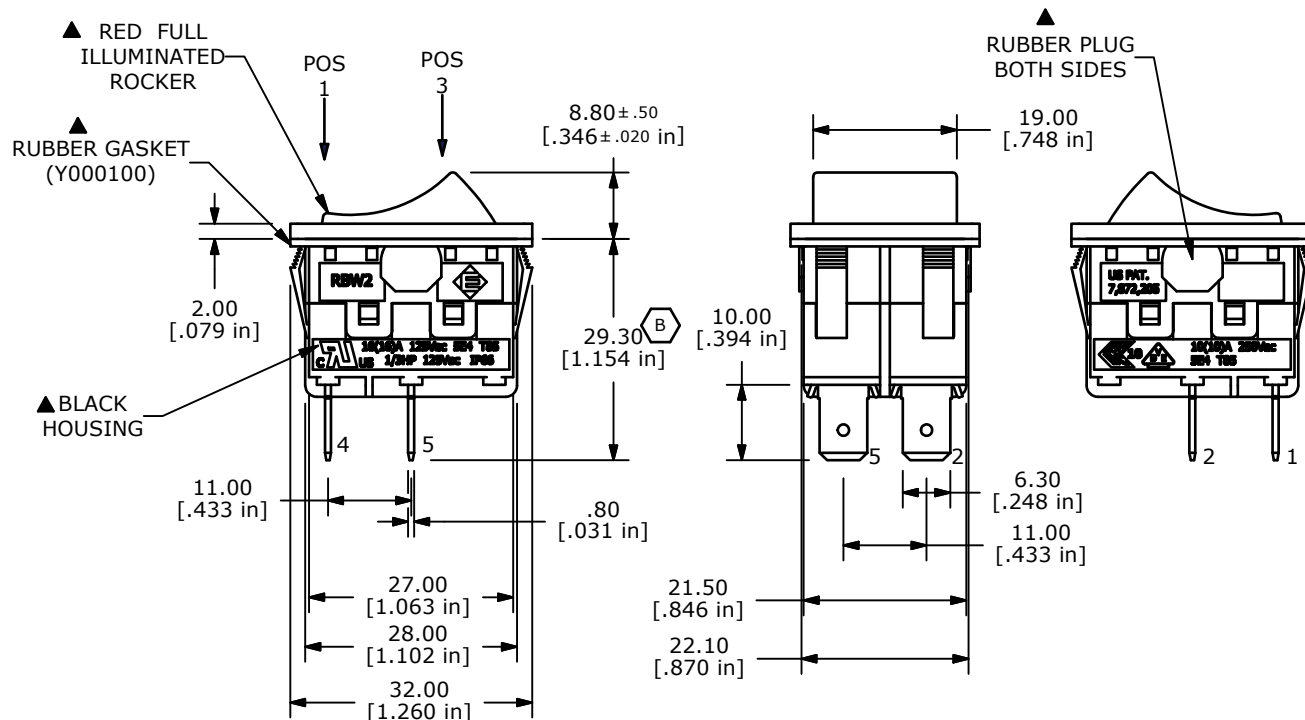
PANEL THICKNESS	X
1.2-1.8	29.9/30.0
1.8-2.4	30.3/30.4
2.4-3.0	30.7/30.8



CIRCUIT: SPDT FUNCTIONS

NOTES:

- ALL DIMENSIONS IN MM [INCH]
- GENERAL TOLERANCE: X.X=±0.4  
X.XX=±0.25
- TERM. NOS. FOR REF. ONLY
- RATING: CUL: 16(16)A 125VAC 5E4 T85  
1/3HP 125VAC IP66  
VDE: 10(10)A 250VAC 5E4 T85
- MECHANICAL LIFE: 50,000 CYCLES
- CONTACT RESISTANCE: <30 MILLI-OHMS INITIAL
- DIELECTRIC STRENGTH: 1000V AC 1MIN
- ▲ DENOTES CRITICAL PARAMETER.
- INSULATION RESISTANCE: 500M OHMS AT 500VDC
- OPERATING TEMP: -20°C to 85°C
- ▲ LAMP: 125VAC NEON
- RATING: IP66
- 2002/95/EC (ROHS) COMPLIANT



B	20086	ADD RUBBER GASKET, DIM was 29.00	8/10/11	BGL
A	19860	New Release	4/19/11	BGL
REV	PCR NO	DESCRIPTION	DATE	BY

TITLE RBW2ABLKRLFF1				
SCALE	DATE	DR	DWG	REV
2:1	4/19/2011	BGL	Y100009	B

THE INFORMATION CONTAINED IN THIS DOCUMENT IS PROPRIETARY TO E-SWITCH AND IS NOT TO BE COPIED OR TRANSFERRED

## X-ON Electronics

Largest Supplier of Electrical and Electronic Components

*Click to view similar products for [Rocker Switches](#) category:*

*Click to view products by [E-Switch](#) manufacturer:*

Other Similar products are found below :

[LTI LA6E-1S-WH-RC-FN12VXCR1](#) [6-1571986-9](#) [8007K26N324V52](#) [8055K32Z7V](#) [8055K52Z7V](#) [8138K20E6M50](#) [84206L](#) [84312LX](#)  
[PREDD5-07F-BB0GW](#) [999-16716-002](#) [999-16716-003](#) [999-16716-004](#) [A101J1V3Q004](#) [A101J2ZQ004](#) [A101J4ZQ004](#) [A101J51CB0004](#)  
[A103J1ZQ004](#) [A201J1AQ004](#) [A201J3ZB004](#) [A201J50ZQ004](#) [A203J51ZQ0004](#) [A435S1YZQ](#) [H8500XBBBBBL-A](#) [H8653VBBG2577W](#)  
[HB130CHNWWNAAC](#) [R13112ABB-602W](#) [1251.0303](#) [AE205J60V3B004](#) [1352.0107](#) [1500G51E](#) [1571099-3](#) [1571987-4](#) [1571987-5](#)  
[1571989-7](#) [1571988-5](#) [B123J77V7B2](#) [B226J50W4Q22P](#) [B433J37ZQ22M](#) [160212E](#) [1634200-7](#) [1801.1164](#) [1839.1502](#) [PANEL-PLUG-VHP-](#)  
[BLACK](#) [PANEL-PLUG-VHP-WT](#) [K1ABBSCADN](#) [K2ABAAAAAA](#) [KG312A2DXD246X](#) [250011E714](#) [2600HM11E](#) [2600R21E](#)