



SERIES RP 3502 SWITCHES

PUSHBUTTON SWITCHES - PANEL MOUNT

TACT SWITCHES

NAVIGATION SWITCHES

PUSHBUTTON SWITCHES

TOGGLE SWITCHES

ROCKER SWITCHES

SLIDE SWITCHES

SNAP-ACTION SWITCHES

DIP SWITCHES

KEYLOCK SWITCHES

ROTARY SWITCHES

DETECTOR SWITCHES

CAP OPTIONS



SPECIFICATIONS

Contact Rating:	3A @ 120 VAC 1.5A @ 250 VAC
Life Expectancy (Mechanical):	6,000 cycles
Life Expectancy (Electrical):	6,000 cycles
Contact Resistance:	50mΩ (initial max.)
Insulation Resistance:	500MΩ min.
Dielectric Strength:	1,000 VAC 1 minute
Operating Temperature:	-20°C to +65°C

MATERIALS

Plastic:	Nylon (UL flame: 94V-2)
Metal:	Nickel plated brass

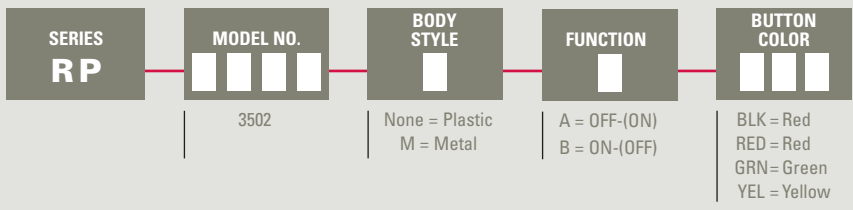
FEATURES & BENEFITS

- ▶ Single Pole, Single throw with momentary function
- ▶ Rugged, Panel mount design
- ▶ Available in Nylon or metal frame body

APPLICATIONS/MARKETS

- ▶ Test & Instrumentation
- ▶ Industrial controls
- ▶ Telecommunications
- ▶ Networking

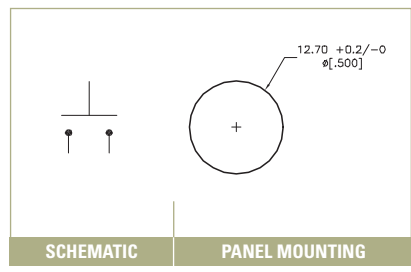
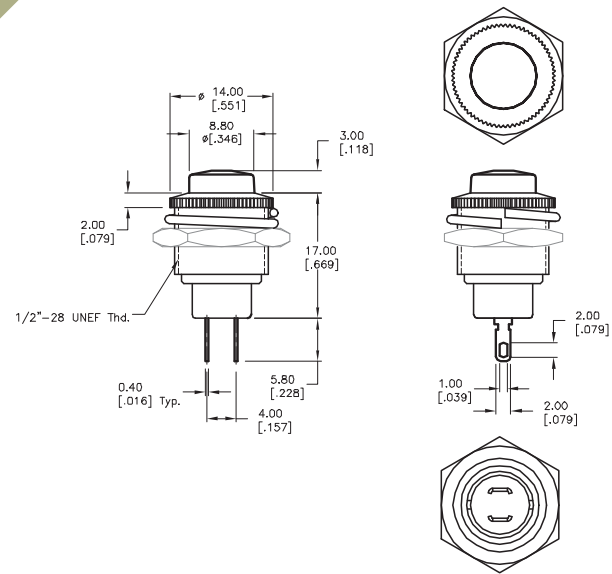
▶ ▶ ▶ HOW TO ORDER



▶ ▶ ▶ Example Ordering Number
RP-3502-M-A-BLK

Specifications subject to change without notice.

RP 3502



X-ON Electronics

Largest Supplier of Electrical and Electronic Components

Click to view similar products for [Pushbutton Switches](#) category:

Click to view products by [E-Switch](#) manufacturer:

Other Similar products are found below :

[8940K2012](#) [LW1L-M1C10V-A](#) [LW1L-M1C70-A](#) [LW2L-A1C20M-GD](#) [LW2L-M1C20M-A](#) [60324L](#) [M22-D-R-GB0/K11](#) [M7E-HRN2](#)
[67021K512](#) [67081K512X](#) [701PB580](#) [7190K101](#) [7199K101](#) [810K12910](#) [810KSV30B](#) [MML21EA2ADK](#) [MML21KA3ABK](#)
[MML23KA3AC05K-001](#) [MML23KW3AA01W](#) [8418K2](#) [8442K3](#) [8450K1](#) [860K11911T01A](#) [861901](#) [861K11911T01A07](#)
[861K13810T00A14](#) [861K13911](#) [8646AB6X718UL](#) [8646ABUL](#) [9001KXRK](#) [907AYY100](#) [PMHD155A1](#) [95-313.000](#)
[9533CD4+U574+U4922](#) [95-414.000](#) [99-450.837](#) [99-453.837](#) [PV3H2B0NN-341](#) [1203MRA](#) [A22NZBGANGA](#) [A22NZBMMNGA](#)
[A22NZBNANGA](#) [A22NZMPATRA](#) [A2PMA1X03EC56](#) [A3A-5123-02](#) [A3A-7140](#) [A3A-7310](#) [A3A-7340](#) [A3U-TMW-A2C-5M](#) [A595](#)