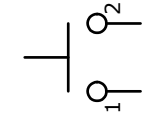
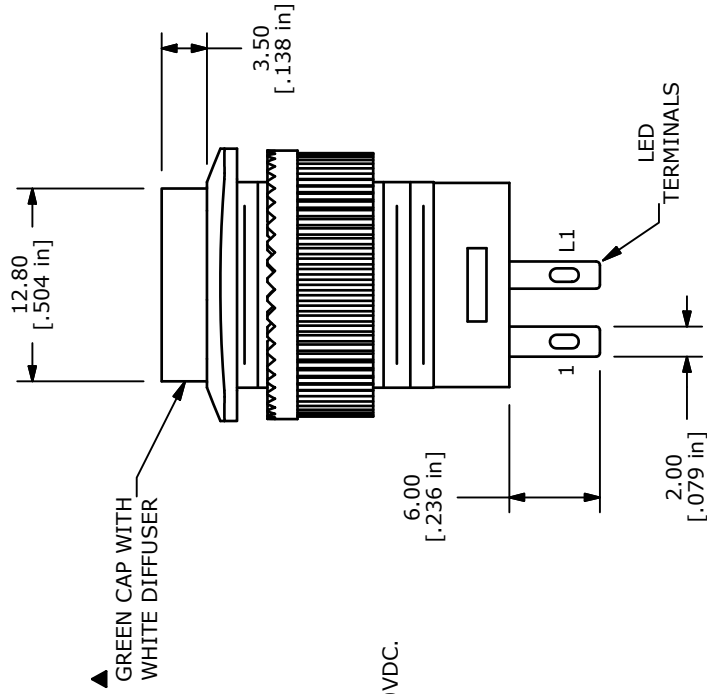
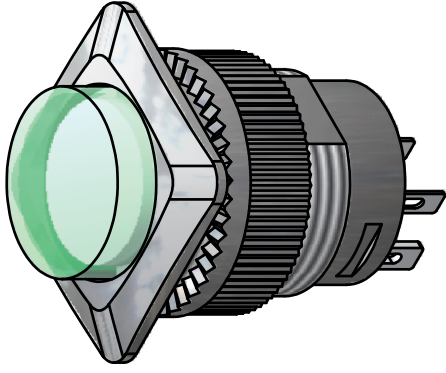
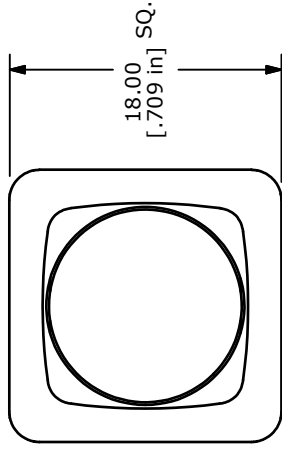
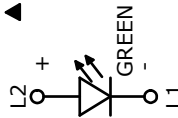


PANEL MOUNTING



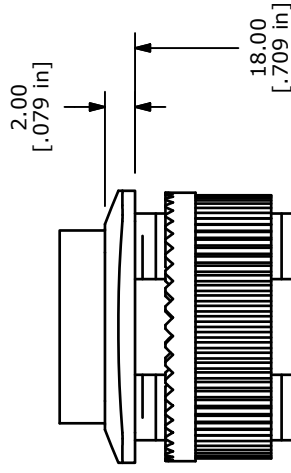
CIRCUIT: SPST
MOMENTARY



GREEN CAP WITH
WHITE DIFFUSER

NOTE:

1. ALL DIMENSIONS IN MM [INCH]
2. GENERAL TOLERANCE: X.X=±0.4
X.XX=±0.25
3. TERMINAL NUMBERS FOR REF ONLY
4. CIRCUIT: SPST OFF-MOMENTARY ON
5. CONTACT RATING: 3A @ 125VAC, 1.5A @ 250VAC
6. ELECTRIC LIFE: 6,000 CYCLES AT FULL LOAD MIN.
7. CONTACT RESISTANCE: 50 MILLI-OHM MAX. (INITIAL)
8. INSULATION RESISTANCE: 100 MEGA-OHM MIN. @ 500VDC.
9. DIELECTRIC STRENGTH: 1,500VAC FOR 1 MINUTE.
10. LED COLOR: GREEN
11. OPERATING TEMPERATURE: -0°C TO +65°C.
12. PANEL THICKNESS RANGE: 7.0 mm MAX.
13. ▲ DENOTES CRITICAL PARAMETER.
14. 2002/95/EC (ROHS) COMPLIANT
15. HARDWARE INCLUDED: MOUNTING NUT



▲ LED SPECS	UNITS	GREEN
FORWARD CURRENT	mA	20
FORWARD VOLTAGE	V	2.0-2.6
LUMINOUS INTENSITY	MCD	100



TITLE RP3508ABLKGRNRNNS

E	19610	ADDED LED SPECS	1/20/11	BGL
REV	PCR NO	DESCRIPTION	DATE	BY

THE INFORMATION CONTAINED IN THIS DOCUMENT IS PROPRIETARY TO E-SWITCH AND IS NOT TO BE COPIED OR TRANSFERRED

SCALE 2 : 1

DR BGL

DWG F130422

REV E

X-ON Electronics

Largest Supplier of Electrical and Electronic Components

Click to view similar products for [Pushbutton Switches](#) category:

Click to view products by [E-Switch](#) manufacturer:

Other Similar products are found below :

[8940K2012](#) [LW1L-M1C10V-A](#) [LW1L-M1C70-A](#) [LW2L-A1C20M-GD](#) [LW2L-M1C20M-A](#) [60324L](#) [M22-D-R-GB0/K11](#) [M7E-HRN2](#)
[67021K512](#) [67081K512X](#) [701PB580](#) [7190K101](#) [7199K101](#) [810K12910](#) [810KSV30B](#) [MML21EA2ADK](#) [MML21KA3ABK](#)
[MML23KA3AC05K-001](#) [MML23KW3AA01W](#) [8418K2](#) [8442K3](#) [8450K1](#) [860K11911T01A](#) [861901](#) [861K11911T01A07](#)
[861K13810T00A14](#) [861K13911](#) [8646AB6X718UL](#) [8646ABUL](#) [9001KXRK](#) [907AYY100](#) [PMHD155A1](#) [95-313.000](#)
[9533CD4+U574+U4922](#) [95-414.000](#) [99-450.837](#) [99-453.837](#) [PV3H2B0NN-341](#) [1203MRA](#) [A22NZBGANGA](#) [A22NZBMMNGA](#)
[A22NZBNANGA](#) [A22NZMPATRA](#) [A2PMA1X03EC56](#) [A3A-5123-02](#) [A3A-7140](#) [A3A-7310](#) [A3A-7340](#) [A3U-TMW-A2C-5M](#) [A595](#)