



# SERIES RP3508 SWITCHES

## PUSHBUTTON SWITCHES - ILLUMINATED



### SPECIFICATIONS

Contact Rating: 3A@125 VAC  
1.5A@250 VDC

Life Expectancy (Mechanical): ≥20,000 cycles

Life Expectancy (Electrical): ≥6,000 cycles

Insulation Resistance: > 1,000M Ω

Dielectric Strength: > 1,500 volts 1 minute

Operating Temperature: 0°C to +65°C

Storage Temperature: -25°C to +85°C

### MATERIALS

Switch Housing: UL94-HB

Terminals: Solder lug, silver-plated

### FEATURES & BENEFITS

- ▶ Panel mount
- ▶ Illuminated
- ▶ Standard green, red and yellow LED options

### APPLICATIONS/MARKETS

- ▶ Telecommunications
- ▶ Networking
- ▶ Computers/servers
- ▶ Performance audio
- ▶ Instrumentation
- ▶ Low power on/off designs
- ▶ External hard drives and modems

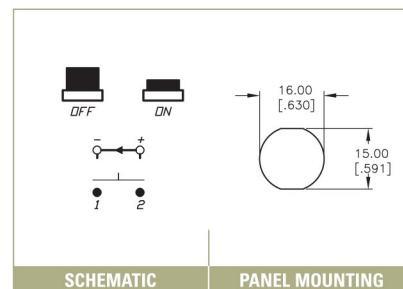
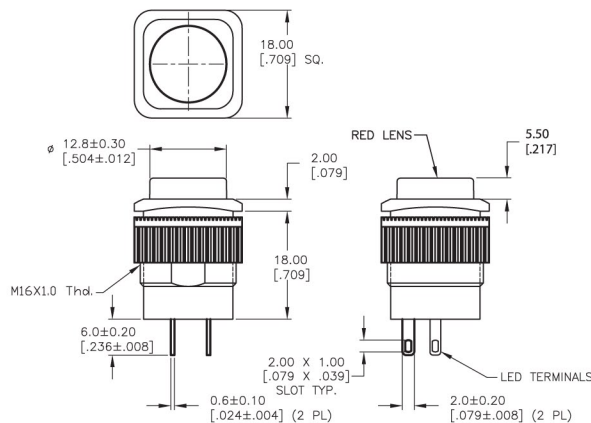
### HOW TO ORDER

SERIES	MODEL NO.	CIRCUIT	HOUSING COLOR	ACTUATOR COLOR	LED COLOR	MARKING	TERMINATION
RP	3508	A = SPST OFF-(ON) B = SPST OFF-ON	BLK = Black	GRN = Green RED = Red YEL = Yellow	N = None GRN = Green RED = Red YEL = Yellow	N = None	S = Solder Lug

▶ ▶ ▶ **Example Ordering Number**  
**RP-3508-A-BLK-RED-GRN-N-S**

Specifications subject to change without notice.

## RP 3508



## X-ON Electronics

Largest Supplier of Electrical and Electronic Components

*Click to view similar products for [Pushbutton Switches](#) category:*

*Click to view products by [E-Switch](#) manufacturer:*

Other Similar products are found below :

[8940K2012](#) [LW1L-M1C10V-A](#) [LW1L-M1C70-A](#) [LW2L-A1C20M-GD](#) [LW2L-M1C20M-A](#) [60324L](#) [M22-D-R-GB0/K11](#) [M7E-HRN2](#)  
[67021K512](#) [67081K512X](#) [701PB580](#) [7190K101](#) [7199K101](#) [810K12910](#) [810KSV30B](#) [MML21EA2ADK](#) [MML21KA3ABK](#)  
[MML23KA3AC05K-001](#) [MML23KW3AA01W](#) [8418K2](#) [8442K3](#) [8450K1](#) [860K11911T01A](#) [861901](#) [861K11911T01A07](#)  
[861K13810T00A14](#) [861K13911](#) [8646AB6X718UL](#) [8646ABUL](#) [9001KXRK](#) [907AYY100](#) [PMHD155A1](#) [95-313.000](#)  
[9533CD4+U574+U4922](#) [95-414.000](#) [99-450.837](#) [99-453.837](#) [PV3H2B0NN-341](#) [1203MRA](#) [A22NZBGANGA](#) [A22NZBMMNGA](#)  
[A22NZBNANGA](#) [A22NZMPATRA](#) [A2PMA1X03EC56](#) [A3A-5123-02](#) [A3A-7140](#) [A3A-7310](#) [A3A-7340](#) [A3U-TMW-A2C-5M](#) [A595](#)