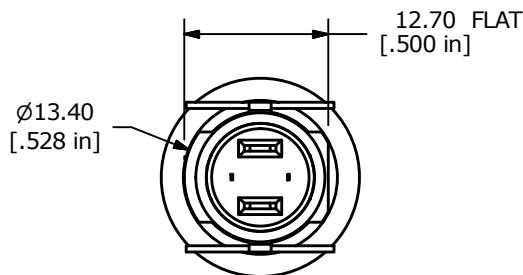
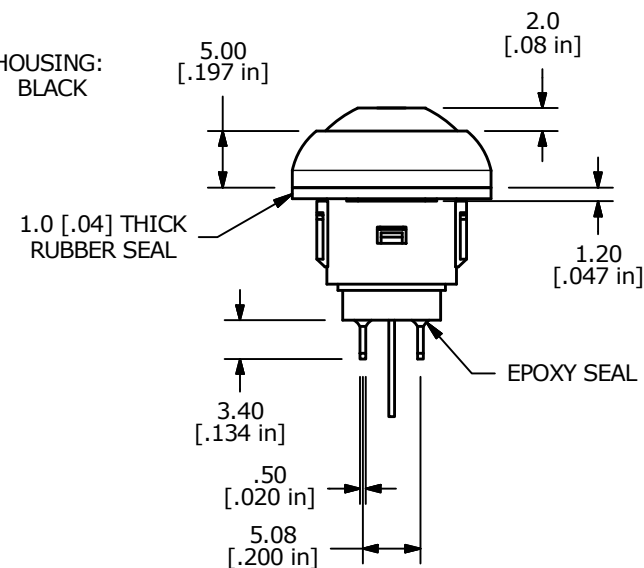
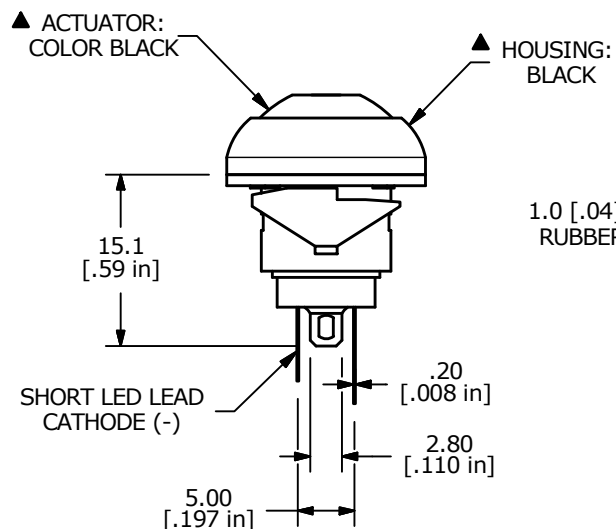


| LED PARAMETER | FORWARD CURRENT | FORWARD VOLTAGE @ 20mA | LUMINOUS INTENSITY |
|---------------|-----------------|------------------------|--------------------|
| UNITS | mA | V | mcd |
| BLUE | 20 | 3.1 - 3.6 | 580 |



- NOTE:**
- ALL DIMENSIONS IN MM [INCH]
 - GENERAL TOLERANCE: X.X = ±0.4
X.XX = ±0.25
 - TERMINAL NUMBERS FOR REF ONLY
 - CIRCUIT: SPST OFF-MOMENTARY ON
 - CONTACT MATERIAL: Gold over SILVER
 - RATING: 125mA @ 125 VAC
100mA @ 50 VDC
 - ELECTRIC LIFE: 500,000 CYCLES AT FULL LOAD
 - CONTACT RESISTANCE: 50 milli-OHM max. (INITIAL)
 - INSULATION RESISTANCE: 1,000 MEGA-OHM min. @ 500VDC
 - DIELECTRIC STRENGTH: 1,000 VAC rms.
 - OPERATING FORCE: 350 gf +/- 150 gf
 - OPERATING TEMPERATURE: -30°C to +85°C
 - CONTACT BOUNCE: 10ms MAX.
 - TRAVEL: 1.5mm
 - PANEL THICKNESS RANGE: 0.8 - 1.8mm
 - ▲ DENOTES CRITICAL PARAMETER.
 - 2011/65/EU (ROHS) COMPLIANT
 - HARDWARE INCLUDED:
1. T081100 RUBBER SEAL (1)
 - SEAL RATING: IP67 AT THE FRONT PANEL

| | | | | |
|-----|--------|-------------------------------|---------|-----|
| F | 23328 | note 15 to .8 - 1.8mm | 4/25/18 | MW |
| E | 22443 | ADDED BOTTOM VIEW | 8/12/16 | MJR |
| D | 21595 | CHANGE NOTE 19: IP67 WAS IP65 | 9/25/14 | EBP |
| REV | PCR NO | DESCRIPTION | DATE | BY |



| | | | | |
|------------------------------------|-----------|-----|----------|-----|
| TITLE RP8100B1M1CEBLKBLKBLU | | | | |
| SCALE | DATE | DR | DWG | REV |
| 3:2 | 4/24/2009 | BLR | ST081041 | F |

X-ON Electronics

Largest Supplier of Electrical and Electronic Components

Click to view similar products for [Pushbutton Switches](#) category:

Click to view products by [E-Switch](#) manufacturer:

Other Similar products are found below :

[8940K2012](#) [LW1L-M1C10V-A](#) [LW1L-M1C70-A](#) [LW2L-A1C20M-GD](#) [LW2L-M1C20M-A](#) [60324L](#) [M22-D-R-GB0/K11](#) [M7E-HRN2](#)
[67021K512](#) [67081K512X](#) [701PB580](#) [7190K101](#) [7199K101](#) [810K12910](#) [810KSV30B](#) [MML21EA2ADK](#) [MML21KA3ABK](#)
[MML23KA3AC05K-001](#) [MML23KW3AA01W](#) [8418K2](#) [8442K3](#) [8450K1](#) [860K11911T01A](#) [861901](#) [861K11911T01A07](#)
[861K13810T00A14](#) [861K13911](#) [8646AB6X718UL](#) [8646ABUL](#) [9001KXRK](#) [907AYY100](#) [PMHD155A1](#) [95-313.000](#)
[9533CD4+U574+U4922](#) [95-414.000](#) [99-450.837](#) [99-453.837](#) [PV3H2B0NN-341](#) [1203MRA](#) [A22NZBGANGA](#) [A22NZBMMNGA](#)
[A22NZBNANGA](#) [A22NZMPATRA](#) [A2PMA1X03EC56](#) [A3A-5123-02](#) [A3A-7140](#) [A3A-7310](#) [A3A-7340](#) [A3U-TMW-A2C-5M](#) [A595](#)