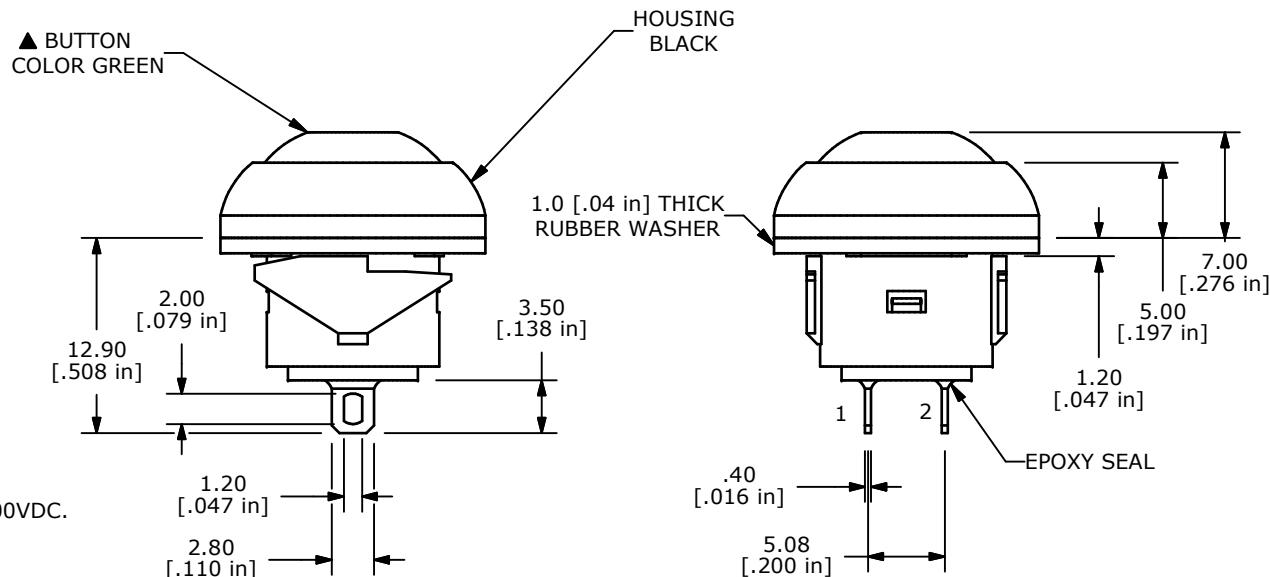
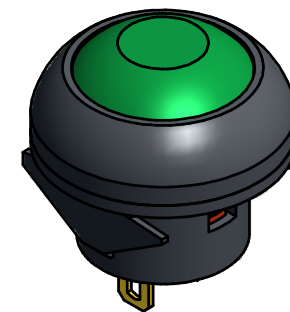
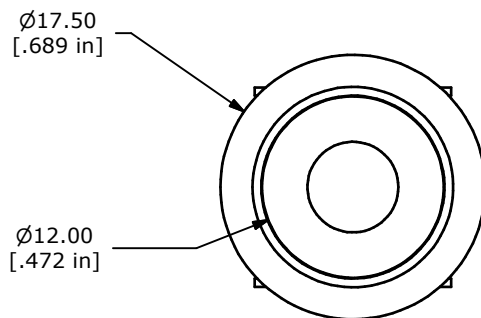


▲ **CIRCUIT: SPST**
OFF-(ON)
MOMENTARY

- NOTE:
1. ALL DIMENSIONS IN MM [INCH]
 2. GENERAL TOLERANCE: X.X=±0.4
X.XX=±0.25
 3. TERMINAL NUMBERS FOR REF ONLY
 4. CIRCUIT: SPST OFF-MOMENTARY ON
 5. CONTACT MATERIAL: GOLD over SILVER
 - ▲ 6. RATING: 125mA @ 125 VAC
100mA @ 50 VDC
 - ▲ 7. ELECTRIC LIFE: 500,000 CYCLES AT FULL LOAD
 8. CONTACT RESISTANCE: 50 milli-OHM max. (INITIAL)
 9. INSULATION RESISTANCE: 1,000 MEGA-OHM min. @ 500VDC.
 10. DIELECTRIC STRENGTH: 1,000 VAC rms.
 - ▲ 11. OPERATING FORCE: 350 gf +/- 150 gf
 12. OPERATING TEMPERATURE: -30°C TO +85°C.
 13. CONTACT BOUNCE: 10ms MAX.
 - ▲ 14. TRAVEL: 1.5mm
 15. PANEL THICKNESS RANGE: 0.8 - 1.8 mm.
 16. ▲ DENOTES CRITICAL PARAMETER.
 17. 2002/95/EC (ROHS) COMPLIANT
 18. HARDWARE INCLUDED:
1. T081100 RUBBER SEAL (1)
 - Ⓟ 19. SEAL RATING: IP67 AT THE FRONT PANEL



TITLE RP8100B1M1CEBLKGRNNIL				
SCALE	DATE	DR	DWG	REV
2=1	5/6/2011	BMA	ST081045	B

THE INFORMATION CONTAINED IN THIS DOCUMENT IS PROPRIETARY TO E-SWITCH AND IS NOT TO BE COPIED OR TRANSFERRED

B	21595	CHANGE SEAL RATING FROM IP65 TO IP67	9/25/14	EBP
A	19920	RELEASE FOR PRODUCTION	05/06/11	BMA
REV	PCR NO	DESCRIPTION	DATE	BY

X-ON Electronics

Largest Supplier of Electrical and Electronic Components

Click to view similar products for [Pushbutton Switches](#) category:

Click to view products by [E-Switch](#) manufacturer:

Other Similar products are found below :

[8940K2012](#) [LW1L-M1C10V-A](#) [LW1L-M1C70-A](#) [LW2L-A1C20M-GD](#) [LW2L-M1C20M-A](#) [60324L](#) [M22-D-R-GB0/K11](#) [M7E-HRN2](#)
[67021K512](#) [67081K512X](#) [701PB580](#) [7190K101](#) [7199K101](#) [810K12910](#) [810KSV30B](#) [MML21EA2ADK](#) [MML21KA3ABK](#)
[MML23KA3AC05K-001](#) [MML23KW3AA01W](#) [8418K2](#) [8442K3](#) [8450K1](#) [860K11911T01A](#) [861901](#) [861K11911T01A07](#)
[861K13810T00A14](#) [861K13911](#) [8646AB6X718UL](#) [8646ABUL](#) [9001KXRK](#) [907AYY100](#) [PMHD155A1](#) [95-313.000](#)
[9533CD4+U574+U4922](#) [95-414.000](#) [99-450.837](#) [99-453.837](#) [PV3H2B0NN-341](#) [1203MRA](#) [A22NZBGANGA](#) [A22NZBMMNGA](#)
[A22NZBNANGA](#) [A22NZMPATRA](#) [A2PMA1X03EC56](#) [A3A-5123-02](#) [A3A-7140](#) [A3A-7310](#) [A3A-7340](#) [A3U-TMW-A2C-5M](#) [A595](#)