

RP8100 SERIES PUSHBUTTON SWITCH

ANTI-VANDAL SWITCHES
DETECTOR SWITCHES
DIP SWITCHES
KEYLOCK SWITCHES
NAVIGATION SWITCHES
PUSHBUTTON SWITCHES
ROCKER SWITCHES
ROTARY SWITCHES
SLIDE SWITCHES
SNAP ACTION SWITCHES
TACTILE SWITCHES
TOGGLE SWITCHES
CAP OPTIONS



APPLICATIONS / MARKETS



Audio / Visual



Electrical Housewares



Floor Care Appliances



White Goods



Instrumentation



Medical Equipment

RoHS

SPECIFICATIONS

Electrical Rating:
125mA @ 125VAC, 100mA @ 50VDC
Life Expectancy: 500,000 Cycles at full load
Contact Resistance: 50mΩ Max. (initial)
Insulation Resistance: 1,000MΩ Min. @ 500VDC
Dielectric Strength: 1,000VAC rms
Operating Temperature: -30°C to 85°C
Travel: 1.5mm
Contact Arrangement: SPST, Off-(On), Momentary
Actuation Force: 350 gf
Contact Bounce: 10ms MAX
Ingress Protection: IP67

FEATURES & BENEFITS

- Threaded or snap in panel mount
- 500,000 life expectancy
- LED illumination options
- Sealed to IP67 ratings
- Molded back w/ wire leads (500mm long) optional

PART NUMBER CONFIGURATOR

| Series | Bushing | Termination | Contact Material | Seal | Housing Color | Cap Color | LED Color |
|--|---|--|--------------------------|--------------------------|---|---|---|
| <input type="checkbox"/> <input type="checkbox"/> <input type="checkbox"/> <input type="checkbox"/> <input type="checkbox"/> <input type="checkbox"/> <input type="checkbox"/> <input type="checkbox"/> <input type="checkbox"/> <input type="checkbox"/> <input type="checkbox"/> <input type="checkbox"/> <input type="checkbox"/> <input type="checkbox"/> <input type="checkbox"/> <input type="checkbox"/> <input type="checkbox"/> <input type="checkbox"/> <input type="checkbox"/> <input type="checkbox"/> <input type="checkbox"/> | <input type="checkbox"/> <input type="checkbox"/> | <input type="checkbox"/> <input type="checkbox"/> | <input type="checkbox"/> | <input type="checkbox"/> | <input type="checkbox"/> <input type="checkbox"/> <input type="checkbox"/> <input type="checkbox"/> | <input type="checkbox"/> <input type="checkbox"/> <input type="checkbox"/> <input type="checkbox"/> <input type="checkbox"/> <input type="checkbox"/> <input type="checkbox"/> <input type="checkbox"/> <input type="checkbox"/> <input type="checkbox"/> | <input type="checkbox"/> <input type="checkbox"/> <input type="checkbox"/> <input type="checkbox"/> <input type="checkbox"/> <input type="checkbox"/> <input type="checkbox"/> <input type="checkbox"/> <input type="checkbox"/> <input type="checkbox"/> |
| RP8100 RP8101* | B1 - Snap In B2 - Threaded (12 x 0.75)* | M1 - Solder Lug W1 - Molded Back w/Wire Leads 500mm long | C - Gold Over Silver | E - Epoxy Sealed | BLK - Black | WHT - White BLK - Black RED - Red ORG - Orange YEL - Yellow GRN - Green BLU - Blue | WHT - White LED RED - Red LED YEL - Yellow LED GRN - Green LED BLU - Blue LED RG - Red/Green LED RB - Red/Blue LED NIL - Non Illuminated* |

*The RP8101 series is only offered with B2 Bushing and is non-illuminated.

Specifications subject to change without notice 8.25.2021



E-SWITCH®

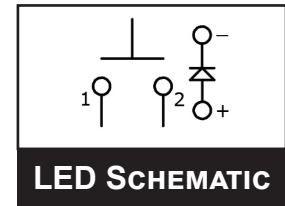
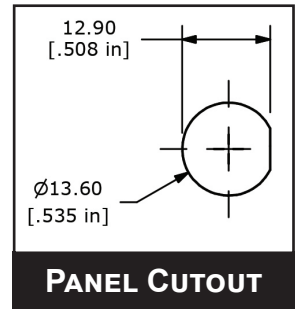
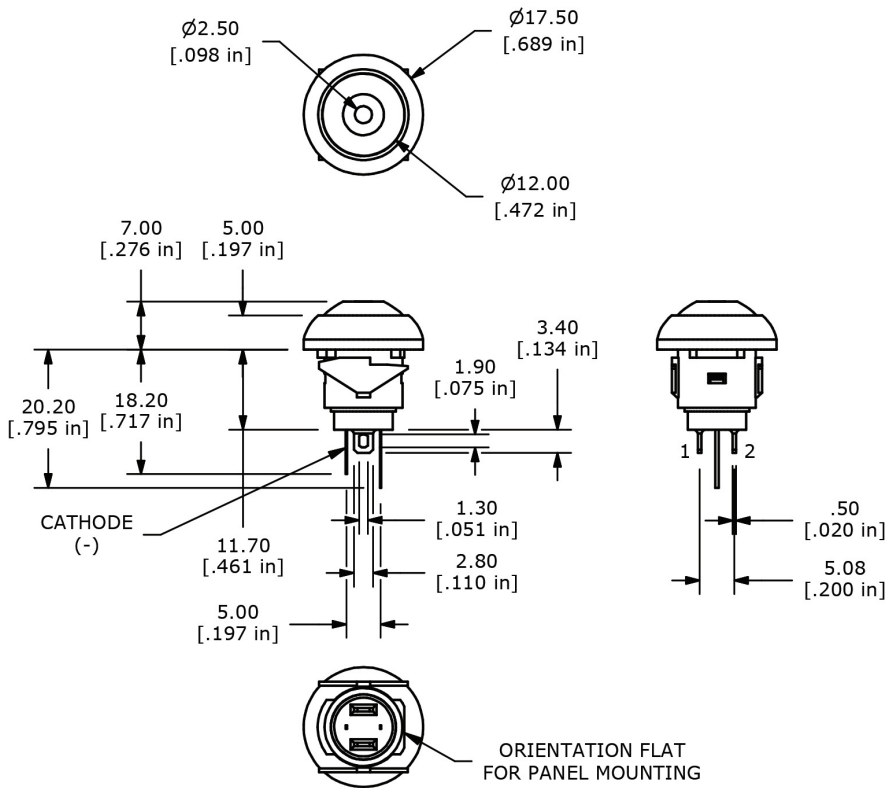
www.e-switch.com

800.867.2717

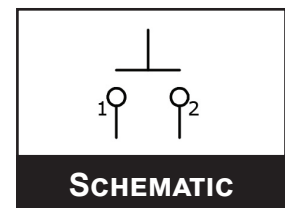
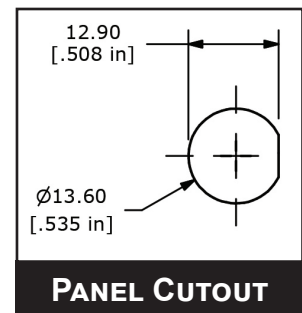
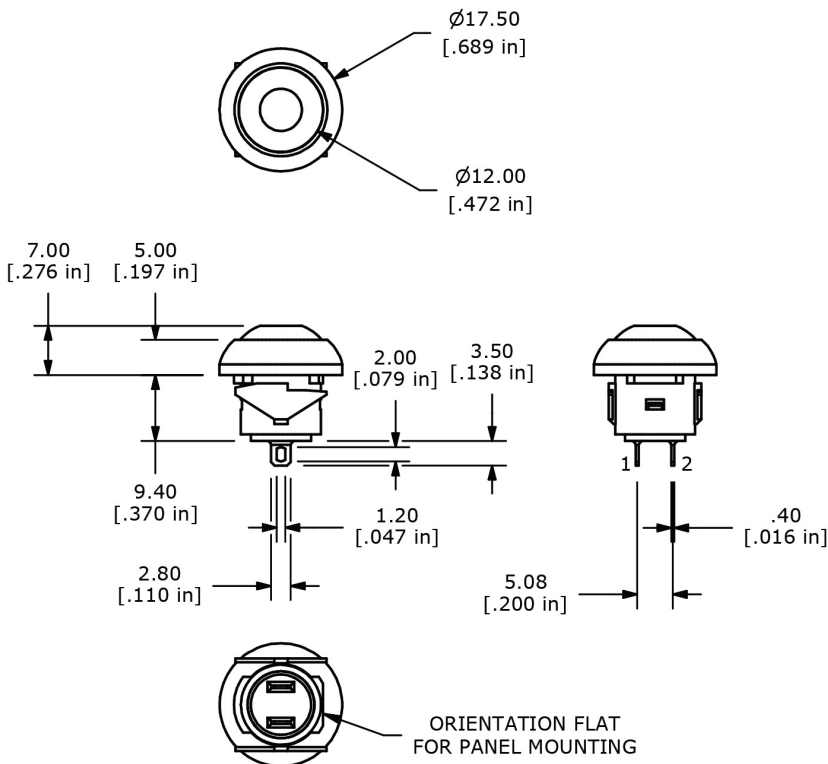
1

RP8100 SERIES PUSHBUTTON SWITCH

RP8100 w/LED B1 BUSHING

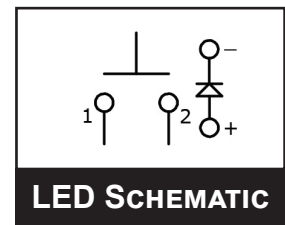
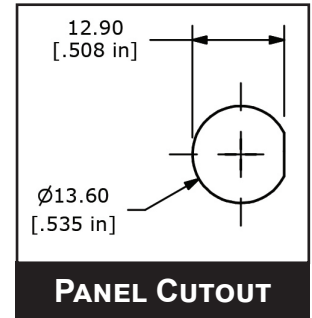
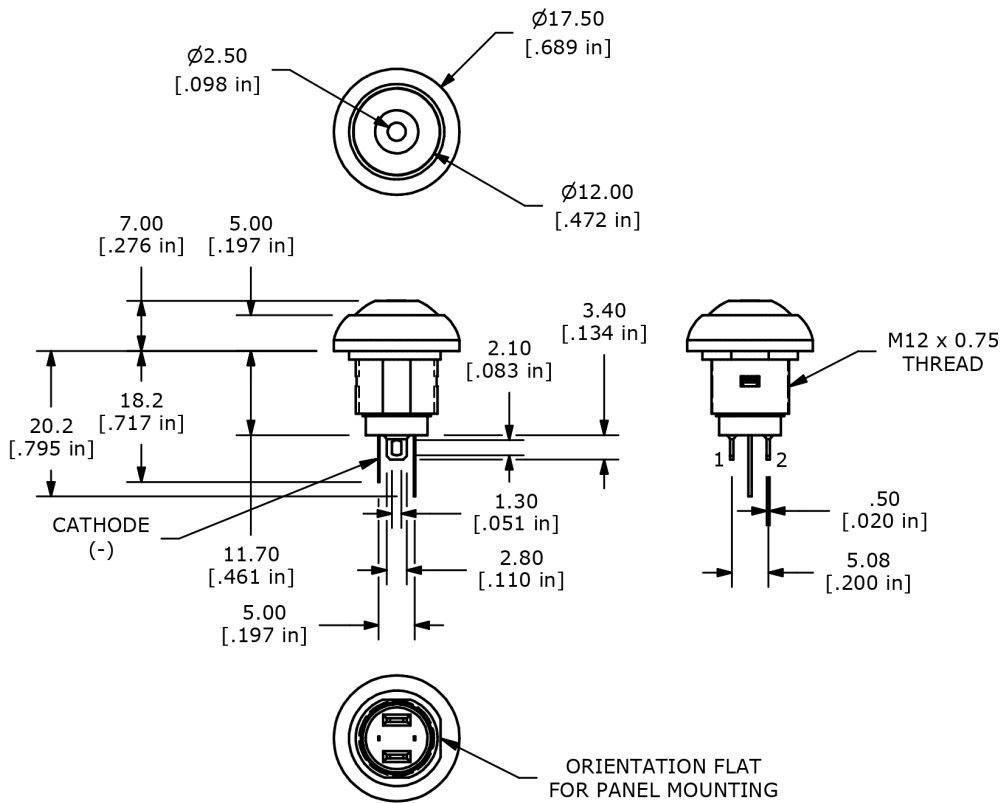


RP8100 w/o LED B1 BUSHING

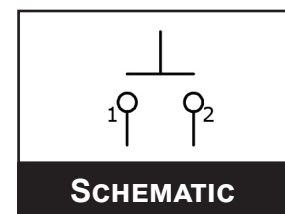
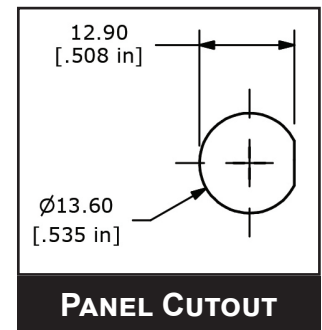
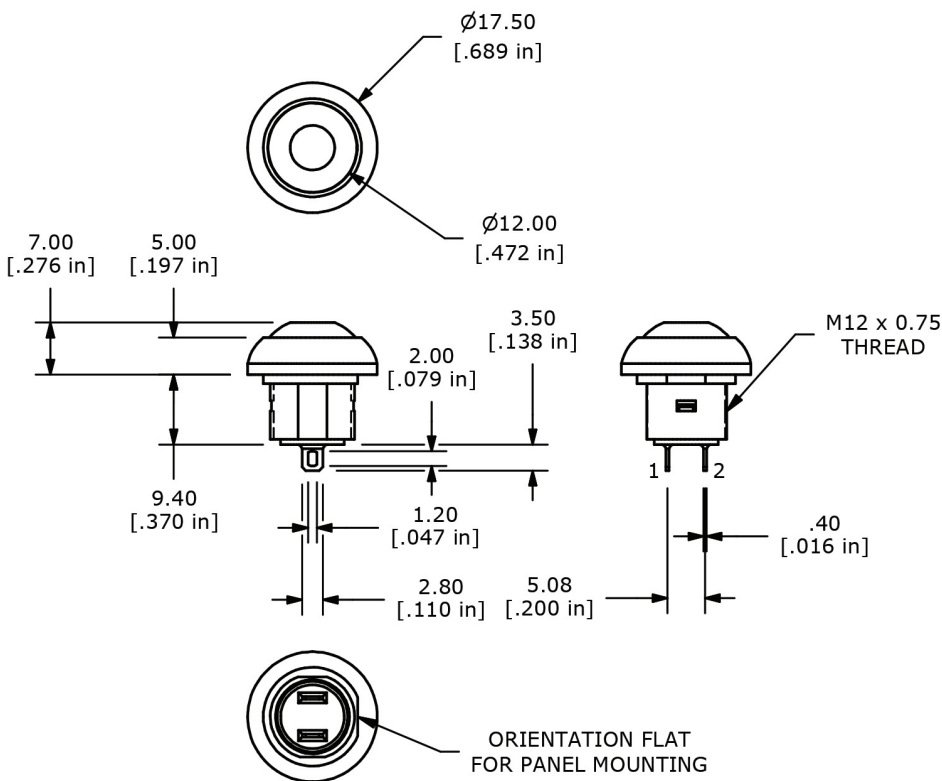


RP8100 SERIES PUSHBUTTON SWITCH

RP8100 w/ LED B2 BUSHING



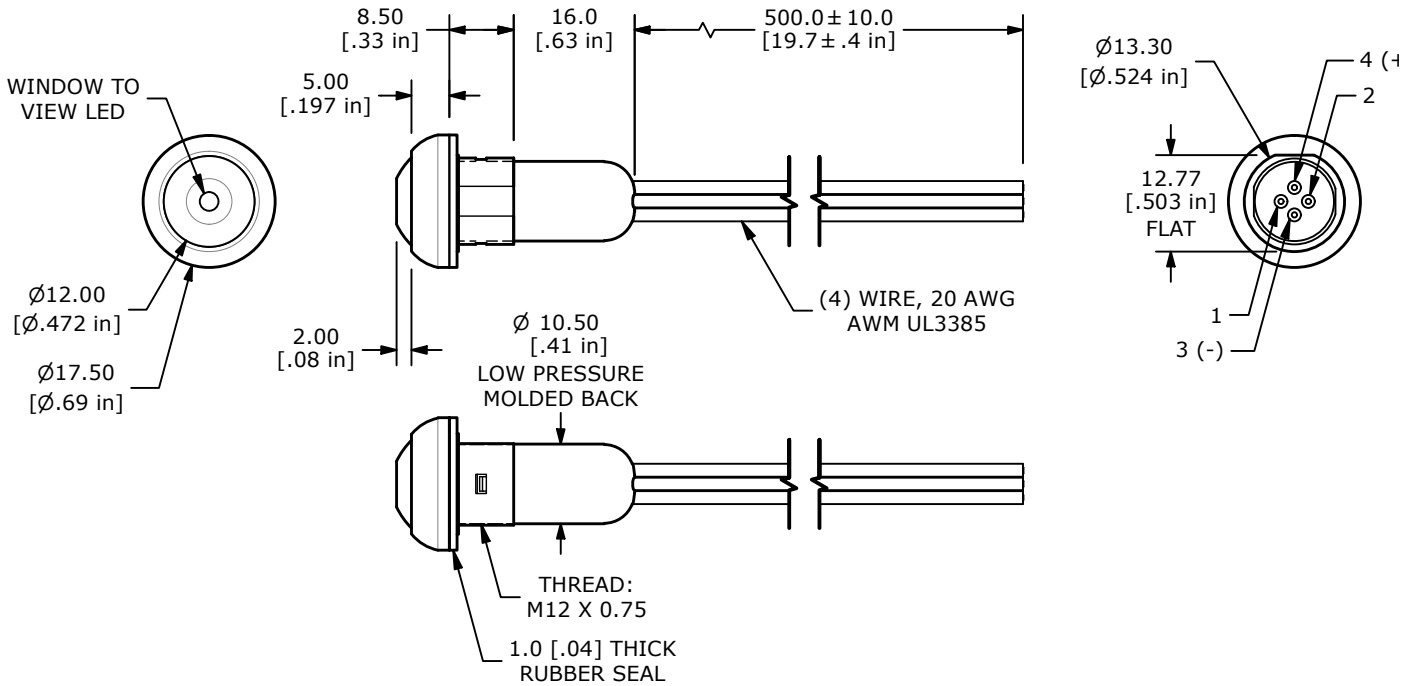
RP8100 w/o LED B2 BUSHING



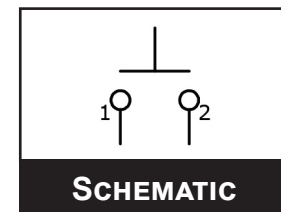
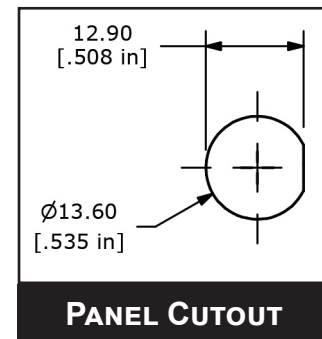
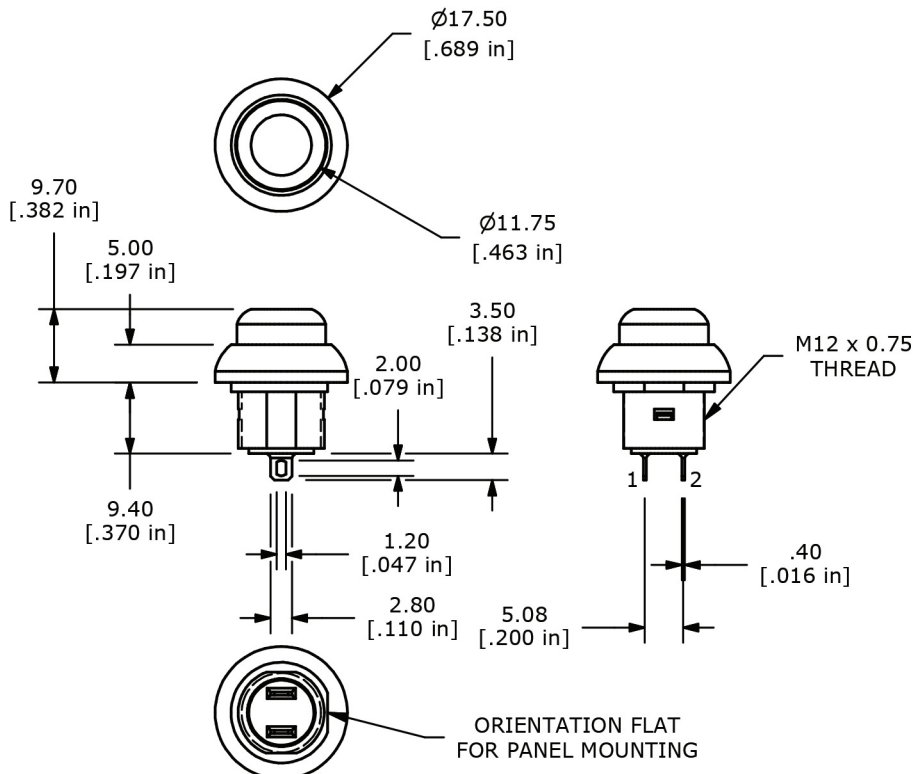
RP8100 SERIES PUSHBUTTON SWITCH

RP8100 w/ LED B2 BUSHING MOLDED BACK w/ WIRED LEADS

| TERMINAL | WIRE |
|----------|--------------------------------|
| 1 | WIRE, 20 AWG AWM UL3385, BLACK |
| 2 | WIRE, 20 AWG AWM UL3385, BLACK |
| 3 (-) | WIRE, 20 AWG AWM UL3385, GREEN |
| 4 (+) | WIRE, 20 AWG AWM UL3385, RED |



RP8101 no LED B2



X-ON Electronics

Largest Supplier of Electrical and Electronic Components

Click to view similar products for [Pushbutton Switches](#) category:

Click to view products by [E-Switch](#) manufacturer:

Other Similar products are found below :

[8940K2012](#) [LW1L-M1C10V-A](#) [LW1L-M1C70-A](#) [LW2L-A1C20M-GD](#) [LW2L-M1C20M-A](#) [60324L](#) [M22-D-R-GB0/K11](#) [M7E-HRN2](#)
[67021K512](#) [67081K512X](#) [701PB580](#) [7190K101](#) [7199K101](#) [810K12910](#) [810KSV30B](#) [MML21EA2ADK](#) [MML21KA3ABK](#)
[MML23KA3AC05K-001](#) [MML23KW3AA01W](#) [8418K2](#) [8442K3](#) [8450K1](#) [860K11911T01A](#) [861901](#) [861K11911T01A07](#)
[861K13810T00A14](#) [861K13911](#) [8646AB6X718UL](#) [8646ABUL](#) [9001KXRK](#) [907AYY100](#) [PMHD155A1](#) [95-313.000](#)
[9533CD4+U574+U4922](#) [95-414.000](#) [99-450.837](#) [99-453.837](#) [PV3H2B0NN-341](#) [1203MRA](#) [A22NZBGANGA](#) [A22NZBMMNGA](#)
[A22NZBNANGA](#) [A22NZMPATRA](#) [A2PMA1X03EC56](#) [A3A-5123-02](#) [A3A-7140](#) [A3A-7310](#) [A3A-7340](#) [A3U-TMW-A2C-5M](#) [A595](#)