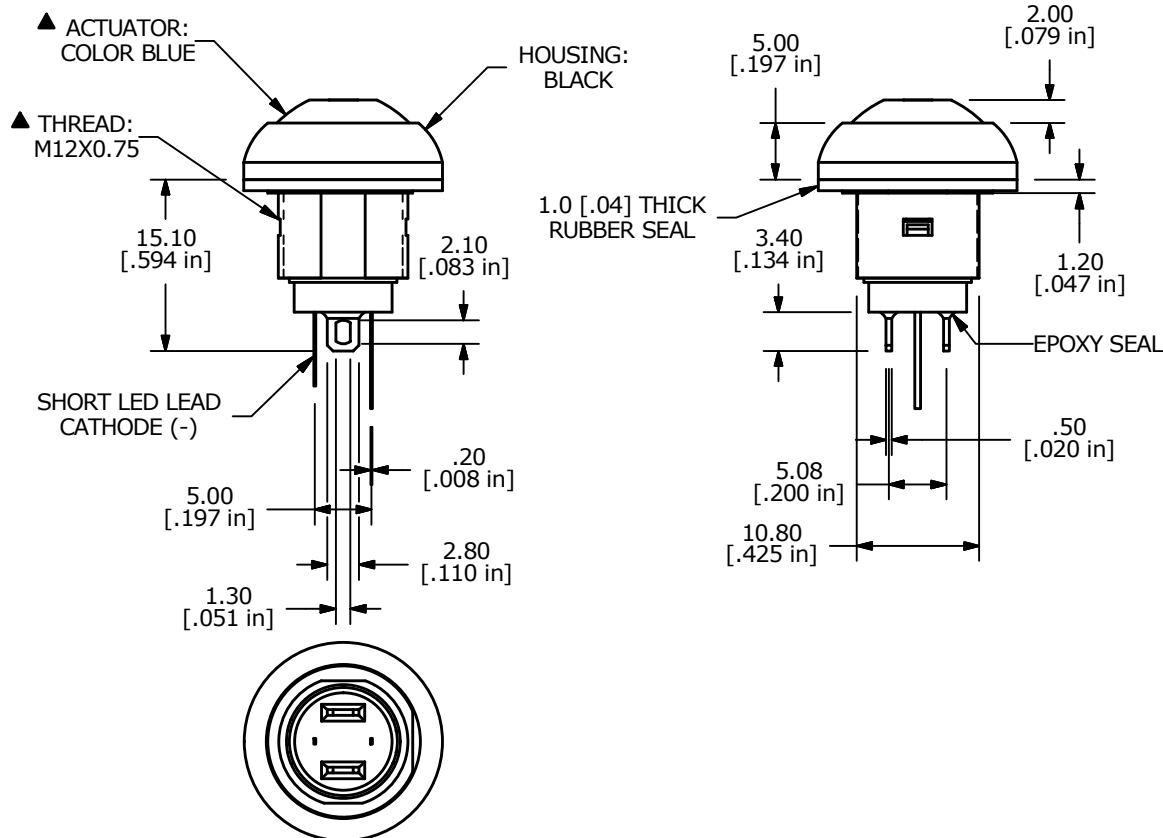


LED PARAMETER	FORWARD CURRENT	FORWARD VOLTAGE @ 20mA	LUMINOUS INTENSITY
UNITS	mA	V	mcd
BLUE	20	3.1 - 3.6	580

- NOTE:**
1. ALL DIMENSIONS IN MM [INCH]
  2. GENERAL TOLERANCE: X.X=±0.4  
X.XX=±0.25
  3. TERMINAL NUMBERS FOR REF ONLY
  4. CIRCUIT: SPST OFF-MOMENTARY ON
  5. CONTACT MATERIAL: Gold over SILVER
  - ▲ 6. RATING: 125mA @ 125 VAC  
100mA @ 50 VDC
  7. ELECTRIC LIFE: 500,000 CYCLES AT FULL LOAD
  8. CONTACT RESISTANCE: 50 milli-OHM max. (INITIAL)
  9. INSULATION RESISTANCE: 1,000 MEGA-OHM min. @ 500VDC.
  10. DIELECTRIC STRENGTH: 1,000 VAC rms.
  11. OPERATING FORCE: 350 gf +/- 150 gf
  12. OPERATING TEMPERATURE: -30°C TO +85°C.
  13. CONTACT BOUNCE: 10ms MAX.
  - ▲ 14. TRAVEL: 1.5mm
  15. PANEL THICKNESS RANGE: 1.5 - 4.0 mm.
  16. ▲ DENOTES CRITICAL PARAMETER.
  17. 2011/65/EU (ROHS) COMPLIANT
  18. MAX MOUNTING TORQUE: 1.5 Nm APPLIED TO THE NUT
  - ▲ 19. HARDWARE INCLUDED:
    1. T081101 LOCK WASHER (1)
    2. T081102 HEX NUT (1)
    3. T081100 RUBBER SEAL (1)
  20. SEAL RATING: IP67 AT THE FRONT PANEL



REV	PCR NO	DESCRIPTION	DATE	BY
E	22427	ADDED BOTTOM VIEW	8/8/16	MJR
D	21594	CHANGE NOTE 20: IP67 WAS IP65	9/24/14	EBP

<b>E-SWITCH®</b>				
TITLE <b>RP8100B2M1CEBLKBLUBLU</b>				
SCALE	DATE	DR	DWG	REV
3:2	3/18/2008	BLR	ST081030	E

THE INFORMATION CONTAINED IN THIS DOCUMENT IS PROPRIETARY TO E-SWITCH AND IS NOT TO BE COPIED OR TRANSFERRED

## X-ON Electronics

Largest Supplier of Electrical and Electronic Components

*Click to view similar products for [Pushbutton Switches](#) category:*

*Click to view products by [E-Switch](#) manufacturer:*

Other Similar products are found below :

[8940K2012](#) [LW1L-M1C10V-A](#) [LW1L-M1C70-A](#) [LW2L-A1C20M-GD](#) [LW2L-M1C20M-A](#) [60324L](#) [M22-D-R-GB0/K11](#) [M7E-HRN2](#)  
[67021K512](#) [67081K512X](#) [701PB580](#) [7190K101](#) [7199K101](#) [810K12910](#) [810KSV30B](#) [MML21EA2ADK](#) [MML21KA3ABK](#)  
[MML23KA3AC05K-001](#) [MML23KW3AA01W](#) [8418K2](#) [8442K3](#) [8450K1](#) [860K11911T01A](#) [861901](#) [861K11911T01A07](#)  
[861K13810T00A14](#) [861K13911](#) [8646AB6X718UL](#) [8646ABUL](#) [9001KXRK](#) [907AYY100](#) [PMHD155A1](#) [95-313.000](#)  
[9533CD4+U574+U4922](#) [95-414.000](#) [99-450.837](#) [99-453.837](#) [PV3H2B0NN-341](#) [1203MRA](#) [A22NZBGANGA](#) [A22NZBMMNGA](#)  
[A22NZBNANGA](#) [A22NZMPATRA](#) [A2PMA1X03EC56](#) [A3A-5123-02](#) [A3A-7140](#) [A3A-7310](#) [A3A-7340](#) [A3U-TMW-A2C-5M](#) [A595](#)