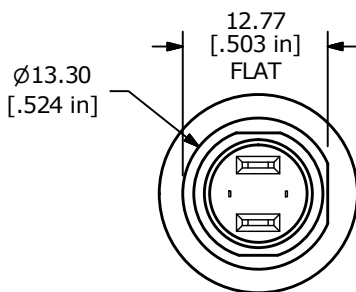
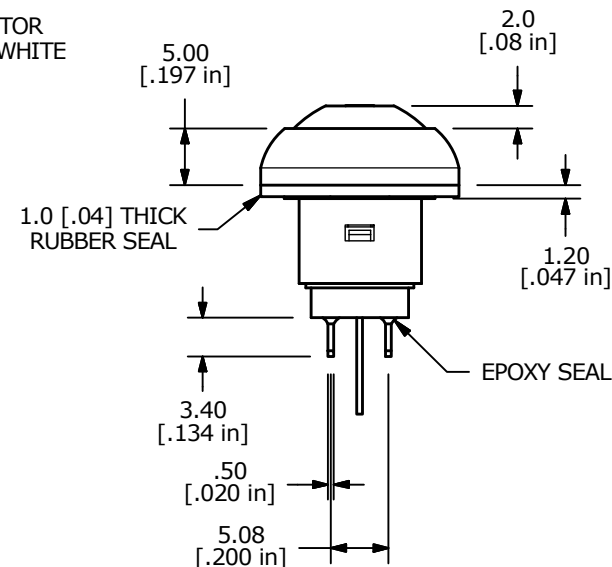
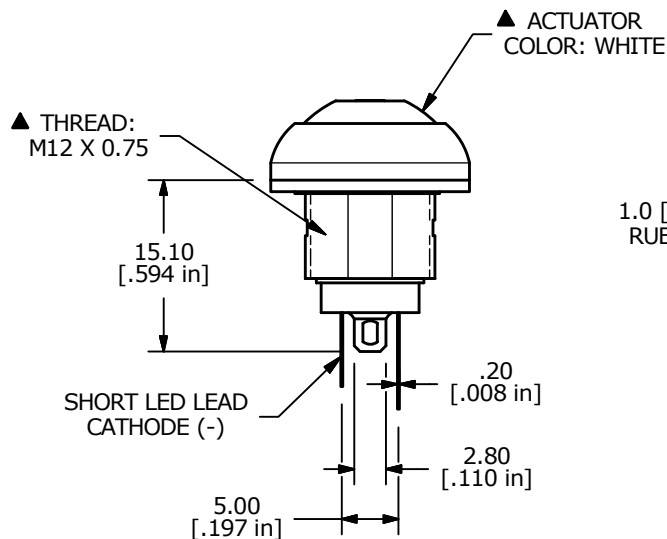


LED PARAMETER	FORWARD CURRENT	FORWARD VOLTAGE @ 20mA	LUMINOUS INTENSITY
UNITS	mA	V	mcd
BLUE	20	3.1 - 3.6	580

- NOTE:
1. ALL DIMENSIONS IN MM [INCH]
 2. GENERAL TOLERANCE: X.X = ±0.4
X.XX = ±0.25
 3. TERMINAL NUMBERS FOR REF ONLY
 4. CIRCUIT: SPST OFF-MOMENTARY ON
 5. CONTACT MATERIAL: Gold over SILVER
 - ▲ 6. RATING: 125mA @ 125 VAC
100mA @ 50 VDC
 7. ELECTRIC LIFE: 500,000 CYCLES AT FULL LOAD
 8. CONTACT RESISTANCE: 50 milli-OHM max. (INITIAL)
 9. INSULATION RESISTANCE: 1,000 MEGA-OHM min. @ 500VDC
 10. DIELECTRIC STRENGTH: 1,000 VAC rms.
 11. OPERATING FORCE: 350 gf +/- 150 gf
 12. OPERATING TEMPERATURE: -30°C to +85°C
 13. CONTACT BOUNCE: 10ms MAX.
 - ▲ 14. TRAVEL: 1.5mm
 15. PANEL THICKNESS RANGE: 1.5 - 4.0mm
 16. ▲ DENOTES CRITICAL PARAMETER.
 17. 2011/65/EU (ROHS) COMPLIANT
 18. MAX MOUNTING TORQUE: 1.5 Nm APPLIED TO THE NUT
 - ▲ 19. HARDWARE INCLUDED:
 1. T081101 LOCK WASHER (1)
 2. T081102 HEX NUT (1)
 3. T081100 RUBBER SEAL (1)
 20. SEAL RATING: IP67 AT THE FRONT PANEL



F	23236	drawing update	3/8/18	MW
E	22442	ADDED BOTTOM VIEW	8/12/16	MJR
D	21595	CHANGE NOTE 20: IP67 WAS IP65	9/25/14	EBP
REV	PCR NO	DESCRIPTION	DATE	BY

THE INFORMATION CONTAINED IN THIS DOCUMENT IS PROPRIETARY TO E-SWITCH AND IS NOT TO BE COPIED OR TRANSFERRED



TITLE RP8100B2M1CEBLKWHTBLU				
SCALE	DATE	DR	DWG	REV
3:2	3/24/2009	BLR	ST081037	F

X-ON Electronics

Largest Supplier of Electrical and Electronic Components

Click to view similar products for [Pushbutton Switches](#) category:

Click to view products by [E-Switch](#) manufacturer:

Other Similar products are found below :

[8940K2012](#) [LW1L-M1C10V-A](#) [LW1L-M1C70-A](#) [LW2L-A1C20M-GD](#) [LW2L-M1C20M-A](#) [60324L](#) [M22-D-R-GB0/K11](#) [M7E-HRN2](#)
[67021K512](#) [67081K512X](#) [701PB580](#) [7190K101](#) [7199K101](#) [810K12910](#) [810KSV30B](#) [MML21EA2ADK](#) [MML21KA3ABK](#)
[MML23KA3AC05K-001](#) [MML23KW3AA01W](#) [8418K2](#) [8442K3](#) [8450K1](#) [860K11911T01A](#) [861901](#) [861K11911T01A07](#)
[861K13810T00A14](#) [861K13911](#) [8646AB6X718UL](#) [8646ABUL](#) [9001KXRK](#) [907AYY100](#) [PMHD155A1](#) [95-313.000](#)
[9533CD4+U574+U4922](#) [95-414.000](#) [99-450.837](#) [99-453.837](#) [PV3H2B0NN-341](#) [1203MRA](#) [A22NZBGANGA](#) [A22NZBMMNGA](#)
[A22NZBNANGA](#) [A22NZMPATRA](#) [A2PMA1X03EC56](#) [A3A-5123-02](#) [A3A-7140](#) [A3A-7310](#) [A3A-7340](#) [A3U-TMW-A2C-5M](#) [A595](#)