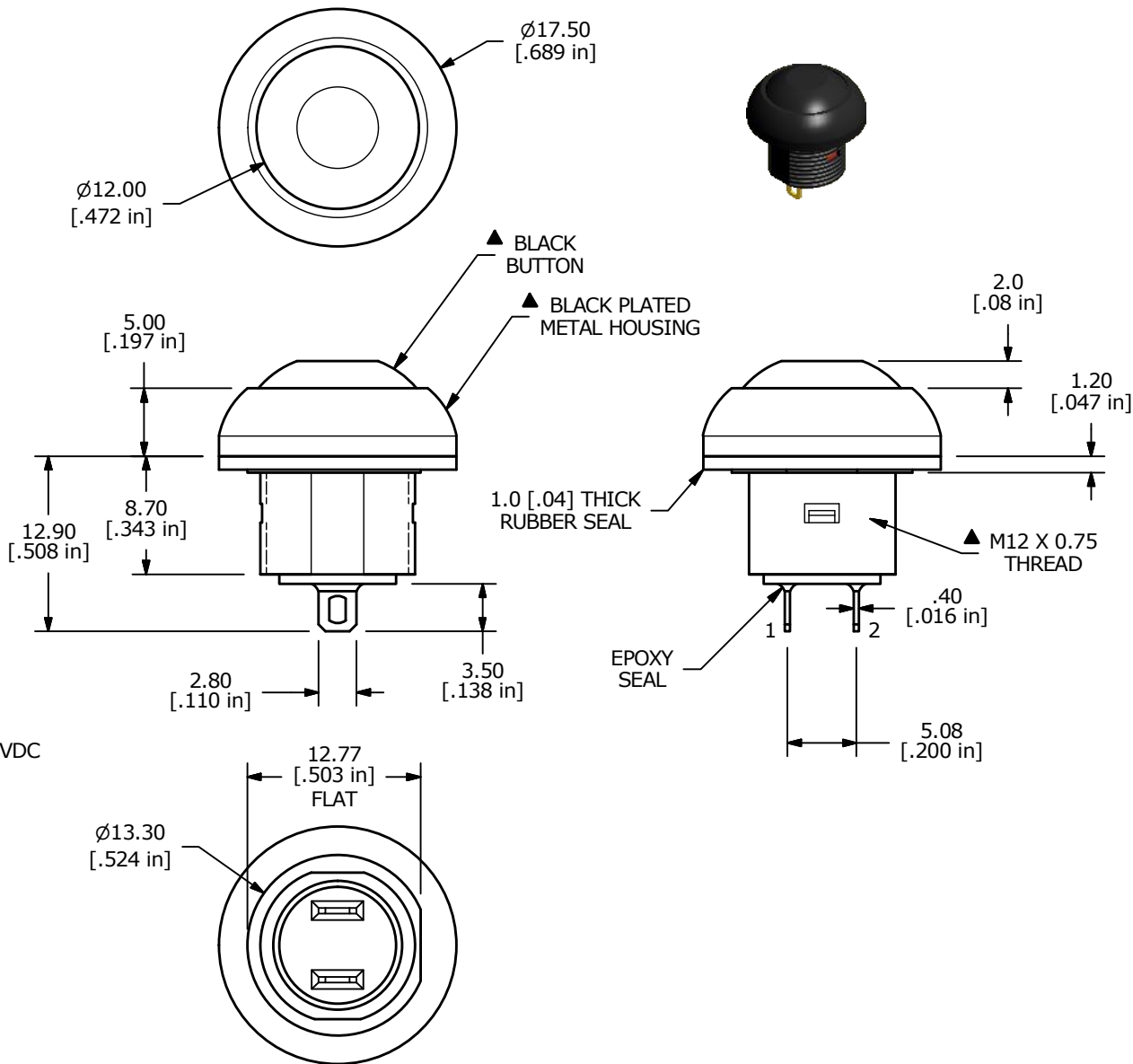


PANEL MOUNTING



NOTE:

1. ALL DIMENSIONS IN MM [INCH]
2. GENERAL TOLERANCE: X.X = ±0.4
X.XX = ±0.25
3. TERMINAL NUMBERS FOR REF ONLY
4. CIRCUIT: SPST OFF-MOMENTARY ON
5. CONTACT MATERIAL: Gold OVER SILVER
6. RATING: 500mA @ 48 VDC
200mA @ 50 VDC
200mA @ 250 VAC
7. ELECTRIC LIFE: 500,000 CYCLES AT FULL LOAD
8. CONTACT RESISTANCE: 50 MILLIOHM MAX. (INITIAL)
9. INSULATION RESISTANCE: 1,000 MEGA-OHM MIN. @ 500VDC
10. DIELECTRIC STRENGTH: 1,500 VAC FOR 1 MINUTE.
11. OPERATING FORCE: 350 gf +/- 150 gf
12. OPERATING TEMPERATURE: -30°C to +85°C.
13. CONTACT BOUNCE: 10ms MAX.
- ▲ 14. TRAVEL: 1.5±0.25MM
15. PANEL THICKNESS RANGE: 1.5 - 4.0mm
16. ▲ DENOTES CRITICAL PARAMETER.
17. 2011/65/EU (ROHS) COMPLIANT
18. MAX TORQUE APPLIED TO MOUNTING NUT: 1.5Nm
19. HARDWARE INCLUDED:
 - 1) T081101 LOCK WASHER (QTY 1)
 - 2) T081102 HEX NUT (QTY 1)
 - 3) T081103 RUBBER O-RING (QTY 1)
20. SEAL RATING: IP67 AT THE FRONT PANEL

D	23236	drawing update	3/8/18	MW
C	21599	CHANGE SEAL RATING FROM IP65 TO IP67	10/1/14	EBP
B	19915	REMOVE LED LEADS	05/05/11	BMA
A	19907	NEW RELEASE	05/04/11	BMA
REV	PCR NO	DESCRIPTION	DATE	BY

THE INFORMATION CONTAINED IN THIS DOCUMENT IS PROPRIETARY TO E-SWITCH AND IS NOT TO BE COPIED OR TRANSFERRED



TITLE RP8300B2M1CEBLKBLKNIL				
SCALE	DATE	DR	DWG	REV
2:1	5/4/2011	BMA	ST083006	D

X-ON Electronics

Largest Supplier of Electrical and Electronic Components

Click to view similar products for [Pushbutton Switches](#) category:

Click to view products by [E-Switch](#) manufacturer:

Other Similar products are found below :

[8940K2012](#) [LW1L-M1C10V-A](#) [LW1L-M1C70-A](#) [LW2L-A1C20M-GD](#) [LW2L-M1C20M-A](#) [60324L](#) [M22-D-R-GB0/K11](#) [M7E-HRN2](#)
[67021K512](#) [67081K512X](#) [701PB580](#) [7190K101](#) [7199K101](#) [810K12910](#) [810KSV30B](#) [MML21EA2ADK](#) [MML21KA3ABK](#)
[MML23KA3AC05K-001](#) [MML23KW3AA01W](#) [8418K2](#) [8442K3](#) [8450K1](#) [860K11911T01A](#) [861901](#) [861K11911T01A07](#)
[861K13810T00A14](#) [861K13911](#) [8646AB6X718UL](#) [8646ABUL](#) [9001KXRK](#) [907AYY100](#) [PMHD155A1](#) [95-313.000](#)
[9533CD4+U574+U4922](#) [95-414.000](#) [99-450.837](#) [99-453.837](#) [PV3H2B0NN-341](#) [1203MRA](#) [A22NZBGANGA](#) [A22NZBMMNGA](#)
[A22NZBNANGA](#) [A22NZMPATRA](#) [A2PMA1X03EC56](#) [A3A-5123-02](#) [A3A-7140](#) [A3A-7310](#) [A3A-7340](#) [A3U-TMW-A2C-5M](#) [A595](#)