

RP8300 SERIES PUSHBUTTON SWITCH

ANTI-VANDAL SWITCHES
 DETECTOR SWITCHES
 DIP SWITCHES
 KEYLOCK SWITCHES
 NAVIGATION SWITCHES
PUSHBUTTON SWITCHES
 ROCKER SWITCHES
 ROTARY SWITCHES
 SLIDE SWITCHES
 SNAP ACTION SWITCHES
 TACTILE SWITCHES
 TOGGLE SWITCHES
 CAP OPTIONS



APPLICATIONS / MARKETS



Audio / Visual



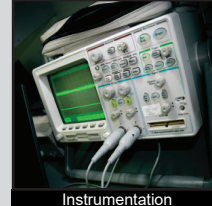
Electrical Housewares



Floor Care Appliances



White Goods



Instrumentation



Medical Equipment

RoHS

SPECIFICATIONS

Electrical Rating:
 500mA @ 48 VAC, 200mA @ 50 VDC, 200mA @ 250 VAC
Life Expectancy: 500,000 Cycles
Contact Resistance: 50mΩ Max.
Insulation Resistance: 1,000MΩ Min. @ 500VDC
Dielectric Strength: 1,500VAC for 1 minute
Operating Temperature: -30°C to 85°C
Travel: 1.5mm
Contact Arrangement: SPST, Off-(On), Momentary
Actuation Force: 350 gf
Panel Thickness: 1.5mm - 4.0mm
Ingress Protection: IP67

FEATURES & BENEFITS

- Threaded mount
- 500,000 life expectancy
- LED illumination options
- Sealed to IP67 ratings
- Metal Diecast housing

PART NUMBER CONFIGURATOR

Series	Bushing	Termination	Contact Material	Seal	Housing Color	Cap Color	LED Color
<input type="checkbox"/> <input type="checkbox"/> <input type="checkbox"/> <input type="checkbox"/> <input type="checkbox"/> <input type="checkbox"/> <input type="checkbox"/> <input type="checkbox"/> <input type="checkbox"/> <input type="checkbox"/> <input type="checkbox"/> <input type="checkbox"/> <input type="checkbox"/> <input type="checkbox"/> <input type="checkbox"/> <input type="checkbox"/> <input type="checkbox"/> <input type="checkbox"/> <input type="checkbox"/> <input type="checkbox"/> <input type="checkbox"/>	<input type="checkbox"/> <input type="checkbox"/>	<input type="checkbox"/> <input type="checkbox"/>	<input type="checkbox"/>	<input type="checkbox"/>	<input type="checkbox"/> <input type="checkbox"/> <input type="checkbox"/>	<input type="checkbox"/> <input type="checkbox"/> <input type="checkbox"/>	<input type="checkbox"/> <input type="checkbox"/> <input type="checkbox"/>
RP8300 RP8301*	B2 - Threaded (12 x 0.75)	M1 - Standard	C - Gold Over Silver	E - Epoxy Sealed	BLK - Black* NIC - Stain Nickel CHR - Chrome	WHT - White BLK - Black RED - Red ORG - Orange YEL - Yellow GRN - Green BLU - Blue	WHT - White LED RED - Red LED YEL - Yellow LED GRN - Green LED BLU - Blue LED GY - Green/Yellow LED RG - Red/Green LED RB - Red/Blue LED NIL - Non Illuminated*

*The RP8201 series is only offered with a black housing color and is non-illuminated.

Specifications subject to change without notice 9.25.2019



E-SWITCH®

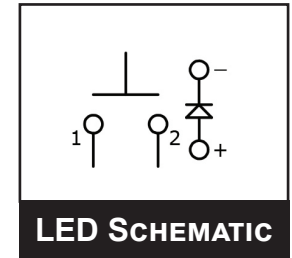
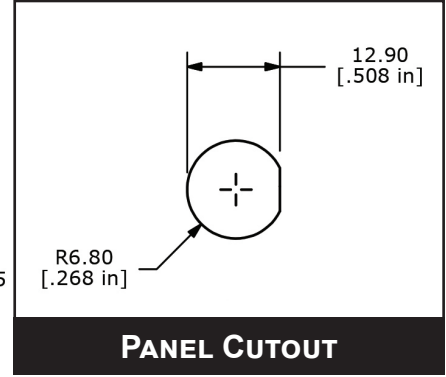
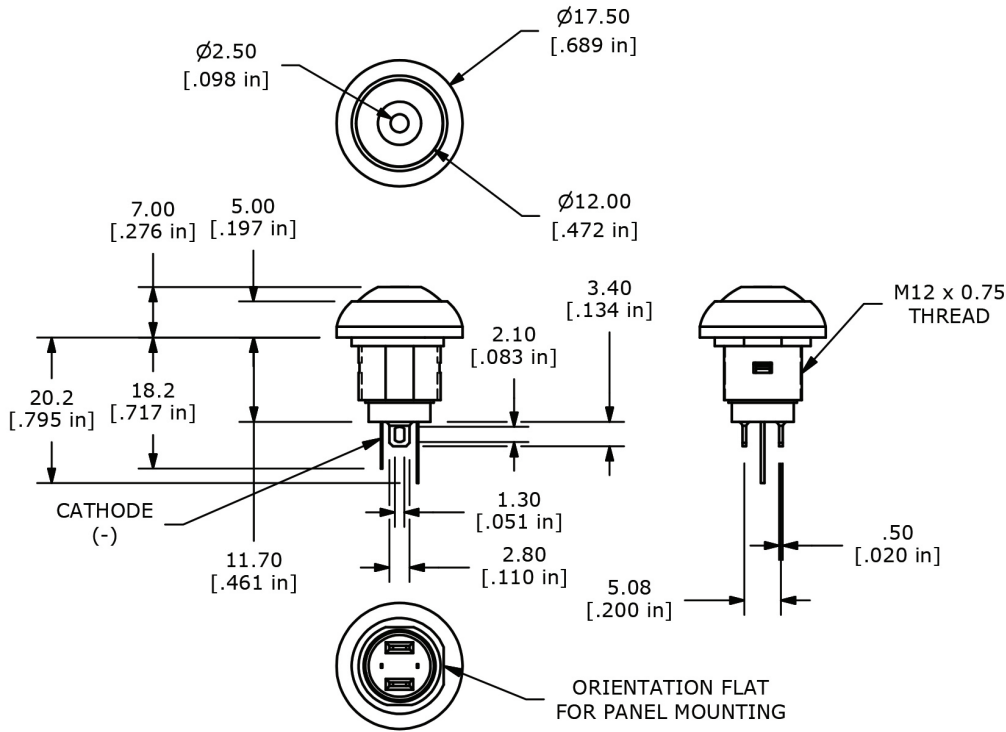
www.e-switch.com

800.867.2717

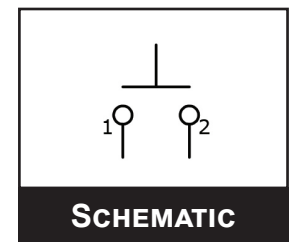
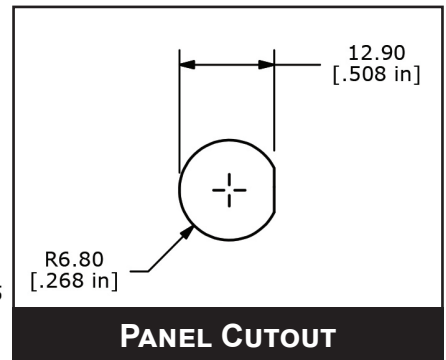
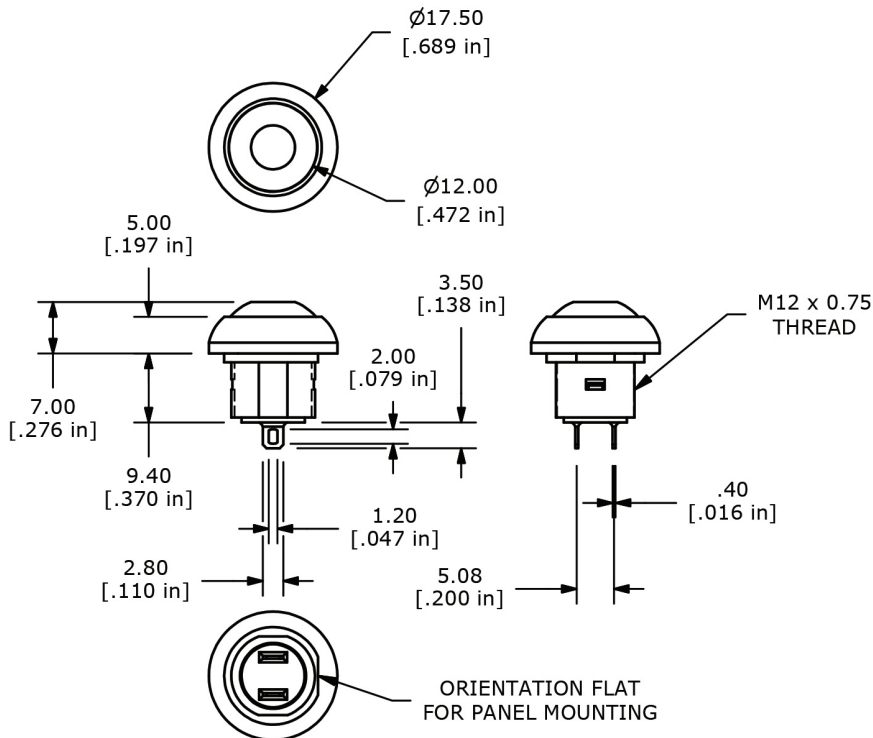
1

RP8300 SERIES PUSHBUTTON SWITCH

RP8300 w/ LED B2 BUSHING



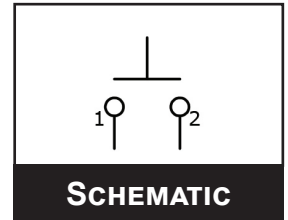
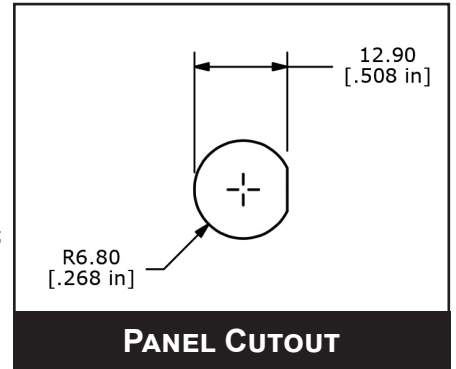
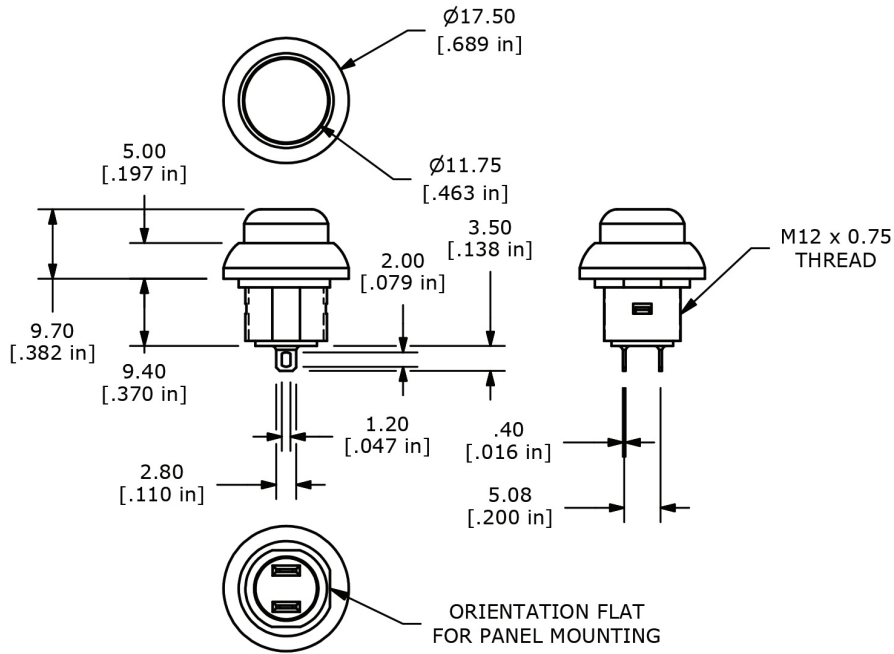
RP8300 w/o LED B2 BUSHING



ANTI-VANDAL SWITCHES
DETECTOR SWITCHES
DIP SWITCHES
KEYLOCK SWITCHES
NAVIGATION SWITCHES
PUSHBUTTON SWITCHES
ROCKER SWITCHES
ROTARY SWITCHES
SLIDE SWITCHES
SNAP ACTION SWITCHES
TACTILE SWITCHES
TOGGLE SWITCHES
CAP OPTIONS

RP8300 SERIES PUSHBUTTON SWITCH

RP8301 w/o LED B2 BUSHING



X-ON Electronics

Largest Supplier of Electrical and Electronic Components

Click to view similar products for [Pushbutton Switches](#) category:

Click to view products by [E-Switch](#) manufacturer:

Other Similar products are found below :

[8940K2012](#) [LW1L-M1C10V-A](#) [LW1L-M1C70-A](#) [LW2L-A1C20M-GD](#) [LW2L-M1C20M-A](#) [60324L](#) [M22-D-R-GB0/K11](#) [M7E-HRN2](#)
[67021K512](#) [67081K512X](#) [701PB580](#) [7190K101](#) [7199K101](#) [810K12910](#) [810KSV30B](#) [MML21EA2ADK](#) [MML21KA3ABK](#)
[MML23KA3AC05K-001](#) [MML23KW3AA01W](#) [8418K2](#) [8442K3](#) [8450K1](#) [860K11911T01A](#) [861901](#) [861K11911T01A07](#)
[861K13810T00A14](#) [861K13911](#) [8646AB6X718UL](#) [8646ABUL](#) [9001KXRK](#) [907AYY100](#) [PMHD155A1](#) [95-313.000](#)
[9533CD4+U574+U4922](#) [95-414.000](#) [99-450.837](#) [99-453.837](#) [PV3H2B0NN-341](#) [1203MRA](#) [A22NZBGANGA](#) [A22NZBMMNGA](#)
[A22NZBNANGA](#) [A22NZMPATRA](#) [A2PMA1X03EC56](#) [A3A-5123-02](#) [A3A-7140](#) [A3A-7310](#) [A3A-7340](#) [A3U-TMW-A2C-5M](#) [A595](#)