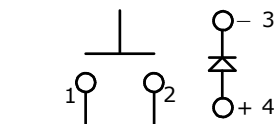
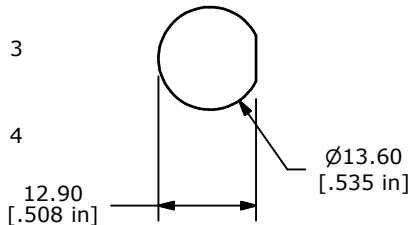


PANEL MOUNTING



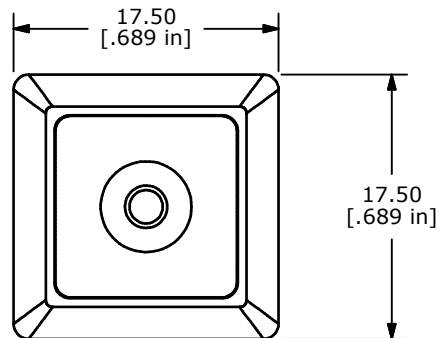
▲ **CIRCUIT: SPST**
OFF-(ON)
MOMENTARY



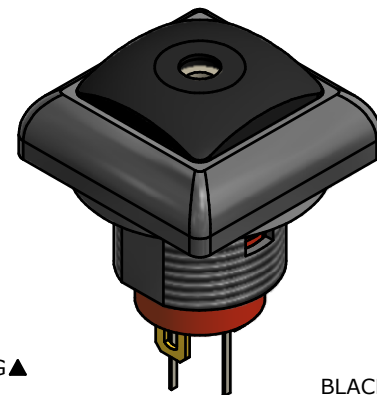
LED SPECS	UNITS	RED
FORWARD CURRENT	mA	20
FORWARD VOLTAGE @20mA	V	2.1-2.6
LUMINOUS INTENSITY @ 20mA	mcd	42-100

NOTE:

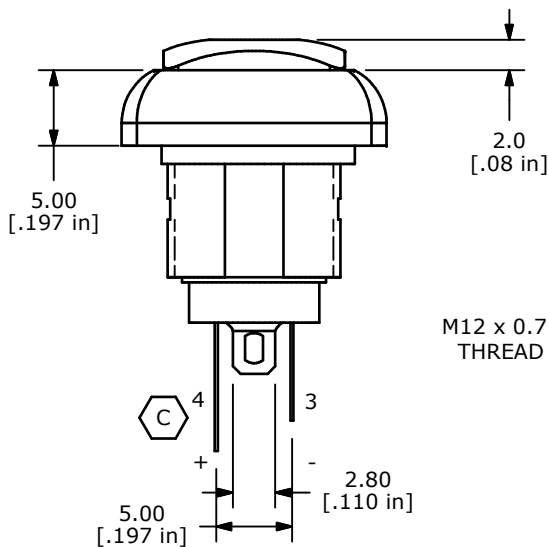
- ALL DIMENSIONS IN MM [INCH]
- GENERAL TOLERANCE: X.X=±0.4
X.XX=±0.25
- TERMINAL NUMBERS FOR REF ONLY
- CIRCUIT: SPST OFF-MOMENTARY ON
- CONTACT MATERIAL: Gold OVER SILVER
- RATING: 500mA @ 48 VAC
200mA @ 50 VDC
200mA @250 VAC
- ELECTRIC LIFE: 500,000 CYCLES AT FULL LOAD
- CONTACT RESISTANCE: 50 MILLIOHM MAX. (INITIAL)
- INSULATION RESISTANCE: 1,000 MEGA-OHM MIN. @ 500VDC.
- DIELECTRIC STRENGTH: 1,500 VAC FOR 1 MINUTE.
- ▲ OPERATING FORCE: 350 gf +/- 150 gf
- OPERATING TEMPERATURE: -30°C TO +85°C.
- CONTACT BOUNCE: 10ms MAX.
- TRAVEL: 1.5±0.25MM
- PANEL THICKNESS RANGE: 1.5 - 4.0 mm.
- ▲ DENOTES CRITICAL PARAMETER.
- 2002/95/EC (ROHS) COMPLIANT
- MAX TORQUE APPLIED TO MOUNTING NUT: 1.5Nm
- HARDWARE INCLUDED:
 - T081101 LOCK WASHER (QTY 1)
 - T081102 HEX NUT (QTY 1)
 - T081103 RUBBER O-RING (QTY 1)
- SEAL RATING: IP67 TO FRONT PANEL



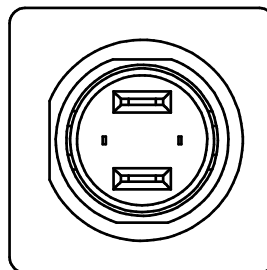
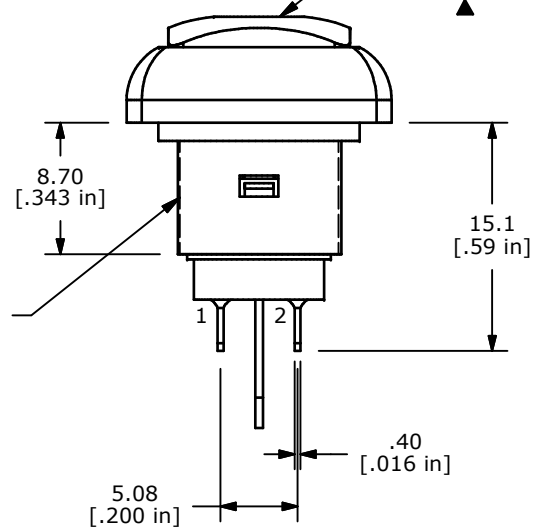
BLACK METAL HOUSING ▲



BLACK BUTTON ▲



M12 x 0.75
THREAD



REV	PCR NO	DESCRIPTION	DATE	BY
D	21600	CHANGE SEAL RATING FROM IP65 TO IP67	10/1/14	EBP
C	21493	FIX LED LEAD POSITIONS AND POLARITY	6/25/14	EBP
B	19916	ADD LED LEADS	05/05/11	BMA
A	19908	NEW RELEASE	05/04/11	BMA

THE INFORMATION CONTAINED IN THIS DOCUMENT IS PROPRIETARY TO E-SWITCH AND IS NOT TO BE COPIED OR TRANSFERRED



TITLE RP8400B2M1CEBLKBLKRED

SCALE	DATE	DR	DWG	REV
2:1	5/4/2011	BMA	ST084003	D

X-ON Electronics

Largest Supplier of Electrical and Electronic Components

Click to view similar products for [Pushbutton Switches](#) category:

Click to view products by [E-Switch](#) manufacturer:

Other Similar products are found below :

[8940K2012](#) [LW1L-M1C10V-A](#) [LW1L-M1C70-A](#) [LW2L-A1C20M-GD](#) [LW2L-M1C20M-A](#) [60324L](#) [M22-D-R-GB0/K11](#) [M7E-HRN2](#)
[67021K512](#) [67081K512X](#) [701PB580](#) [7190K101](#) [7199K101](#) [810K12910](#) [810KSV30B](#) [MML21EA2ADK](#) [MML21KA3ABK](#)
[MML23KA3AC05K-001](#) [MML23KW3AA01W](#) [8418K2](#) [8442K3](#) [8450K1](#) [860K11911T01A](#) [861901](#) [861K11911T01A07](#)
[861K13810T00A14](#) [861K13911](#) [8646AB6X718UL](#) [8646ABUL](#) [9001KXRK](#) [907AYY100](#) [PMHD155A1](#) [95-313.000](#)
[9533CD4+U574+U4922](#) [95-414.000](#) [99-450.837](#) [99-453.837](#) [PV3H2B0NN-341](#) [1203MRA](#) [A22NZBGANGA](#) [A22NZBMMNGA](#)
[A22NZBNANGA](#) [A22NZMPATRA](#) [A2PMA1X03EC56](#) [A3A-5123-02](#) [A3A-7140](#) [A3A-7310](#) [A3A-7340](#) [A3U-TMW-A2C-5M](#) [A595](#)