

# RP8600 SERIES PUSHBUTTON SWITCH

ANTI-VANDAL SWITCHES  
DETECTOR SWITCHES  
DIP SWITCHES  
KEYLOCK SWITCHES  
NAVIGATION SWITCHES  
PUSHBUTTON SWITCHES  
ROCKER SWITCHES  
ROTARY SWITCHES  
SLIDE SWITCHES  
SNAP ACTION SWITCHES  
TACTILE SWITCHES  
TOGGLE SWITCHES  
CAP OPTIONS



## APPLICATIONS / MARKETS



**RoHS**

## SPECIFICATIONS

**Contact Rating:** 0.4VA Max. @ 20V Max (AC or DC)  
**Electrical Life:** 50,000 Cycles  
**Mechanical Life:** 100,000 Cycles  
**Contact Resistance:** 200mΩ Initial @ 2-4VDC, 100mA  
**Insulation Resistance:** 100MΩ @ 500VDC  
**Dielectric Strength:** 1,000VAC for 1 minute  
**Operating/Storage Temperature:** -30°C to 85°C  
**Travel:** 0.65 +/- 0.20mm  
**Contact Arrangement:** SPST, Off-(On)  
**Actuation Force:** 630 gf +/- 130 grams  
**Panel Thickness:** 1.5mm - 4.0mm  
**Moisture Protection:** IP67  
**Max Hex Nut Torque:** 2.2 Nm Max.

## FEATURES & BENEFITS

- Threaded mount
- 100,000 life expectancy
- Sealed to IP67 ratings

## PART NUMBER CONFIGURATOR

Series	Bushing	Terminal	Contact Material	Seal	Housing Color	Button Color
<input type="text" value="R"/> <input type="text" value="P"/> <input type="text" value="8"/> <input type="text" value="6"/> <input type="text" value="0"/> <input type="text" value="0"/> RP8600	<input type="text" value="B"/> <input type="text" value="2"/> B2 - Threaded (M12 x .75)	<input type="text" value="M"/> <input type="text" value="1"/> M1 - Solder Lug	<input type="text" value="C"/> C - Gold over Silver	<input type="text" value="E"/> E - Epoxy	<input type="text" value="B"/> <input type="text" value="L"/> <input type="text" value="K"/> BLK - Black	<input type="text" value="S"/> <input type="text" value="I"/> <input type="text" value="L"/> SIL - Silver

*Specifications subject to change without notice*



**E-SWITCH®**

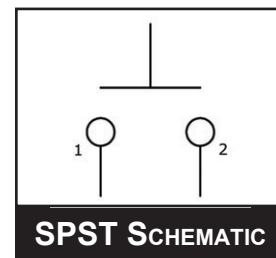
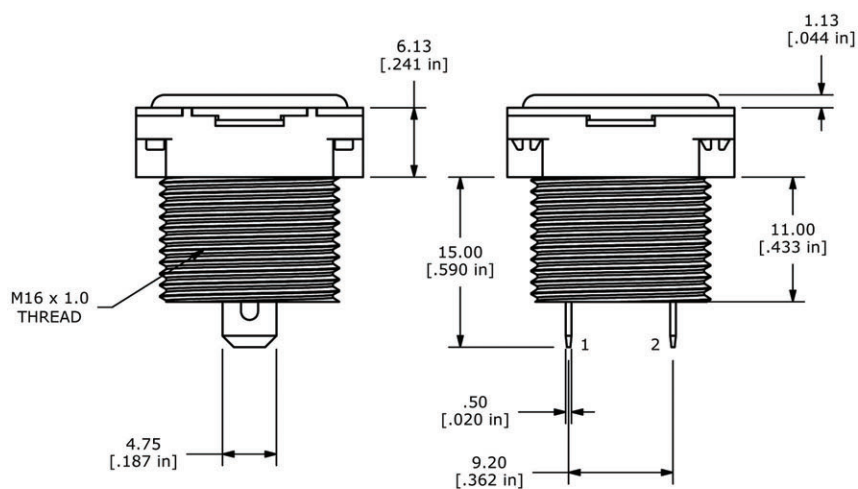
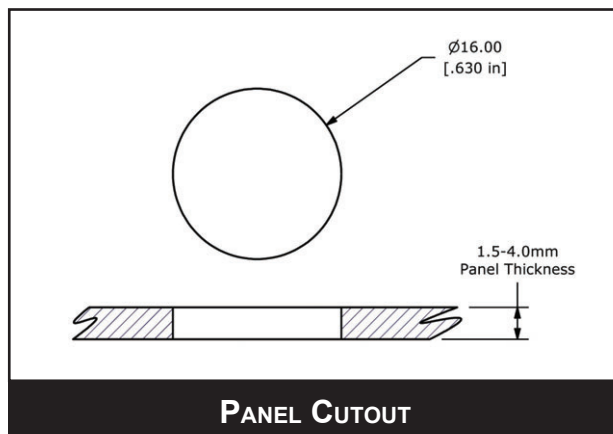
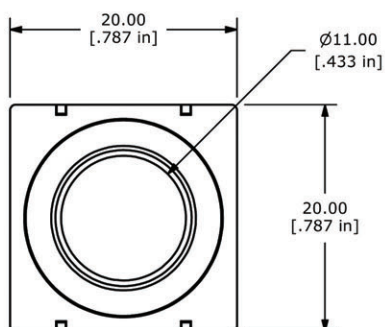
www.e-switch.com

800.867.2717

2

# RP8600 SERIES PUSHBUTTON SWITCH

## Body Dimensions



## X-ON Electronics

Largest Supplier of Electrical and Electronic Components

*Click to view similar products for [Pushbutton Switches](#) category:*

*Click to view products by [E-Switch](#) manufacturer:*

Other Similar products are found below :

[8940K2012](#) [LW1L-M1C10V-A](#) [LW1L-M1C70-A](#) [LW2L-A1C20M-GD](#) [LW2L-M1C20M-A](#) [60324L](#) [M22-D-R-GB0/K11](#) [M7E-HRN2](#)  
[67021K512](#) [67081K512X](#) [701PB580](#) [7190K101](#) [7199K101](#) [810K12910](#) [810KSV30B](#) [MML21EA2ADK](#) [MML21KA3ABK](#)  
[MML23KA3AC05K-001](#) [MML23KW3AA01W](#) [8418K2](#) [8442K3](#) [8450K1](#) [860K11911T01A](#) [861901](#) [861K11911T01A07](#)  
[861K13810T00A14](#) [861K13911](#) [8646AB6X718UL](#) [8646ABUL](#) [9001KXRK](#) [907AYY100](#) [PMHD155A1](#) [95-313.000](#)  
[9533CD4+U574+U4922](#) [95-414.000](#) [99-450.837](#) [99-453.837](#) [PV3H2B0NN-341](#) [1203MRA](#) [A22NZBGANGA](#) [A22NZBMMNGA](#)  
[A22NZBNANGA](#) [A22NZMPATRA](#) [A2PMA1X03EC56](#) [A3A-5123-02](#) [A3A-7140](#) [A3A-7310](#) [A3A-7340](#) [A3U-TMW-A2C-5M](#) [A595](#)