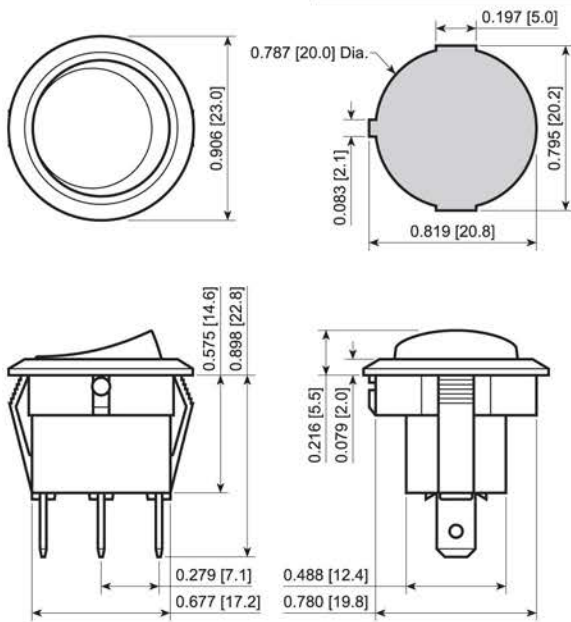


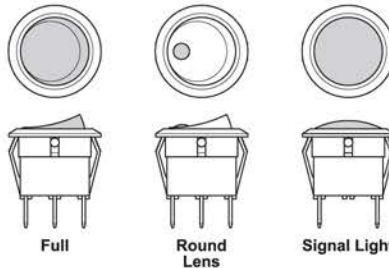
# RR1 Series



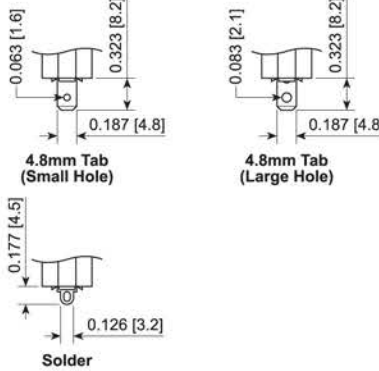
## Panel Cutout



## Illumination Options



## Terminal Options



## FEATURES:

- Aesthetically Designed
- High Ratings with UL and VDE Approvals
- Single Pole With Many Functions
- Full and Round Lens Illumination Options

## SPECIFICATIONS:

### RATING: RATING OPTION C:

- 16A 125VAC [UL, cUL]
- 10A 250VAC [UL, cUL]
- 1/3HP 125/250VAC [UL, cUL]
- 10(4)A 250V- 1E4 T125/55 [VDE]
- 10(2)A 250V- 5E4 T85/55 [VDE]

### RATING OPTION 3:

- 10A 125VAC [UL, cUL]
- 6(2)A 250V- 1E4 T125/55 [VDE]

TEMPERATURE: -20°C to 105°C [UL, cUL]  
-20°C to 125°C [VDE]

ELECTRICAL LIFE: 10,000 Cycles

CONTACT RESISTANCE: 35mΩ Max. at 50VAC

INSULATION RESISTANCE: 100MΩ Min. at 500VAC

DIELECTRIC STRENGTH: 1,500VAC for 1 Minute

## MATERIALS:

Body: Polyamide 6/6, UL94 V-2

ACTUATOR: Polyamide 6/6, UL94 V-2

Polycarbonate, UL94 V-2

CONTACTS: Silver Alloy

TERMINALS: Silver Plated Copper



RR11131100-236



RR11001000-144

SPECIFICATIONS SUBJECT TO CHANGE WITHOUT NOTICE

| Series              | Terminal   | Function   | Rating   | Body Color  | Actuator Color  | Marking Color                                 | Marking Type   | Lens Style            | Lens Color   | Lamp Voltage                    |
|---------------------|--|--|--|---|---|---|--|-----------------------|--|---------------------------------|
| RR1 - Standard Body | 1 - 4.8mm Tab (Small Hole)<br>5 - Solder<br>8 - 4.8mm Tab (Large Hole) | 0 - Signal Light (*)<br>1 - Off-On (*)<br>3 - On-On<br>4 - Off-(On)<br>5 - On-Off-On<br>A - On-(Off)<br>B - On-(On)<br>C - On-Off-(On) | 0 - Signal Light<br>3 - 10A 125VAC<br>C - 16A 125VAC | 1 - Black<br>2 - White<br>3 - Almond<br>4 - Grey<br>9 - Red | 0 - Full Illum.<br>1 - Black<br>2 - White<br>3 - Almond<br>4 - Grey<br>5 - Orange<br>7 - Blue<br>8 - Green<br>9 - Red | 0 - None<br>1 - Black<br>2 - White<br>8 - Red | 0 - None<br>1 - I/O Vert.<br>2 - ON/OFF/ON Vert.<br>3 - ON/OFF Vert.<br>4 - ON/OFF Horiz.<br>9 - I/O/II Horiz.<br>S - I/O/II Vert.<br>R - I/O Horiz. | 1 - Full<br>2 - Round | 0 - Clear<br>1 - Red<br>2 - Amber<br>3 - Green<br>4 - Blue | 4 - 12V<br>6 - 125V<br>7 - 250V |

Note:  
\* = Option Available with Illumination

Custom Colors and Markings Available Upon Request For Illuminated Switches Only

## EXAMPLE PART NUMBERS:

- RR11131100 1P Off-On  
Black Body/Actuator, No Marking
- RR11131121 1P Off-On  
Black Body/Actuator, I/O Vert.
- RR11132200 1P Off-On  
White Body/Actuator, No Marking
- RR111C1000-116 1P Off-On  
Black Body, Red Illum. Actuator, No Marking
- RR111C1100 1P Off-On  
Black Body/Actuator, No Marking
- RR111C1121 1P Off-On  
Black Body/Actuator, I/O Vert.
- RR111C1123 1P Off-On  
Black Body/Actuator, ON/OFF Vert.
- RR111C1921 1P Off-On  
Black Body, Red Actuator, I/O Vert.
- RR111C2211 1P Off-On  
White Body/Actuator, I/O Vert.



E-SWITCH®

www.e-switch.com

800.867.2717

ROCKER

## X-ON Electronics

Largest Supplier of Electrical and Electronic Components

*Click to view similar products for [Rocker Switches](#) category:*

*Click to view products by [E-Switch](#) manufacturer:*

Other Similar products are found below :

[LTI LA6E-1S-WH-RC-FN12VXCR1](#) [6-1571986-9](#) [8007K26N324V52](#) [8055K32Z7V](#) [8055K52Z7V](#) [8138K20E6M50](#) [84206L](#) [84312LX](#)  
[PREDD5-07F-BB0GW](#) [999-16716-002](#) [999-16716-003](#) [999-16716-004](#) [A101J1V3Q004](#) [A101J2ZQ004](#) [A101J4ZQ004](#) [A101J51CB0004](#)  
[A103J1ZQ004](#) [A201J1AQ004](#) [A201J3ZB004](#) [A201J50ZQ004](#) [A203J51ZQ0004](#) [A435S1YZQ](#) [H8500XBBBBL-A](#) [H8653VBBG2577W](#)  
[HB130CHNWWNAAC](#) [R13112ABB-602W](#) [1251.0303](#) [AE205J60V3B004](#) [1352.0107](#) [1500G51E](#) [1571099-3](#) [1571987-4](#) [1571987-5](#)  
[1571989-7](#) [1571988-5](#) [B123J77V7B2](#) [B226J50W4Q22P](#) [B433J37ZQ22M](#) [160212E](#) [1634200-7](#) [1801.1164](#) [1839.1502](#) [PANEL-PLUG-VHP-](#)  
[BLACK](#) [PANEL-PLUG-VHP-WT](#) [K1ABBSCADN](#) [K2ABAAAAAA](#) [KG312A2DXD246X](#) [250011E714](#) [2600HM11E](#) [2600R21E](#)