



# SERIES RR 3112 SWITCHES

## ROCKER SWITCHES



### SPECIFICATIONS

Contact Rating: 16A @ 125VAC  
10A @ 250VAC

Life Expectancy (Mechanical): 20,000 cycles

Life Expectancy (Electrical): 6,000 cycles

Contact Resistance: 50 mΩ (Initial)

Insulation Resistance: 100M Ω @ 500V DC

Dielectric Strength: 1,500V Minimum (1 minute)

Operating Temp: 0°C to 65°C

### FEATURES & BENEFITS

- ▶ Ergonomic feel
- ▶ Visually appealing
- ▶ Multiple options

### APPLICATIONS/MARKETS

- ▶ Industrial
- ▶ Audio/visual
- ▶ Lighting ballast



### HOW TO ORDER

| SERIES | MODEL NO. | CIRCUIT   | HOUSING COLOR              | ACTUATOR COLOR                                                         | LED COLOR                                            | MARKING                    | TERMINATION | LAMP                                                                                   |
|--------|-----------|-----------|----------------------------|------------------------------------------------------------------------|------------------------------------------------------|----------------------------|-------------|----------------------------------------------------------------------------------------|
| RR     | 3112      | See Below | BLK = Black<br>WHT = White | BLK = Black<br>WHT = White<br>RED = Red<br>YEL = Yellow<br>GRN = Green | N = None<br>RED = Red<br>YEL = Yellow<br>GRN = Green | A<br>B<br>E<br>F<br>G<br>I | F = Faston  | 0 = None<br>1 = 110V Neon<br>2 = 220V Neon<br>3 = 3V LED<br>4 = 12V LED<br>5 = 24V LED |

**CIRCUIT CODE:**

- A = SPST On-None-Off
- B\* = SPST On-None-Off
- C = SPDT On-None-On
- D = SPDT On-Off-On
- F = SPST Off-None-(On)
- L\* = SPST On-None-Off



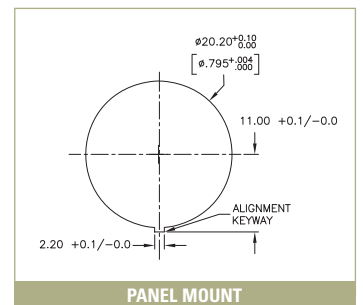
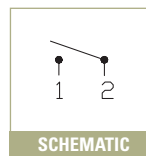
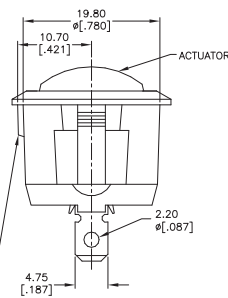
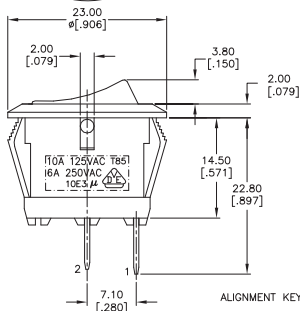
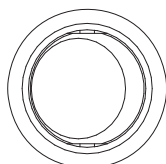
### Example Ordering Number

RR-3112-D-BLK-RED-A-F-3

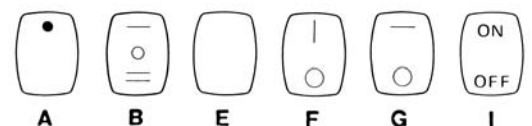
\* Note:  
B has NEON wired inline  
L has LED wired separate

Specifications subject to change without notice.

## RR 3112



### MARKING OPTIONS



## X-ON Electronics

Largest Supplier of Electrical and Electronic Components

*Click to view similar products for [Rocker Switches](#) category:*

*Click to view products by [E-Switch](#) manufacturer:*

Other Similar products are found below :

[LTI LA6E-1S-WH-RC-FN12VXCR1](#) [6-1571986-9](#) [8007K26N324V52](#) [8055K32Z7V](#) [8055K52Z7V](#) [8138K20E6M50](#) [84206L](#) [84312LX](#)  
[PREDD5-07F-BB0GW](#) [999-16716-002](#) [999-16716-003](#) [999-16716-004](#) [A101J1V3Q004](#) [A101J2ZQ004](#) [A101J4ZQ004](#) [A101J51CB0004](#)  
[A103J1ZQ004](#) [A201J1AQ004](#) [A201J3ZB004](#) [A201J50ZQ004](#) [A203J51ZQ0004](#) [A435S1YZQ](#) [H8500XBBBBBL-A](#) [H8653VBBG2577W](#)  
[HB130CHNWWNAAC](#) [R13112ABB-602W](#) [1251.0303](#) [AE205J60V3B004](#) [1352.0107](#) [1500G51E](#) [1571099-3](#) [1571987-4](#) [1571987-5](#)  
[1571989-7](#) [1571988-5](#) [B123J77V7B2](#) [B226J50W4Q22P](#) [B433J37ZQ22M](#) [160212E](#) [1634200-7](#) [1801.1164](#) [1839.1502](#) [PANEL-PLUG-VHP-](#)  
[BLACK](#) [PANEL-PLUG-VHP-WT](#) [K1ABBSCADN](#) [K2ABAAAAAA](#) [KG312A2DXD246X](#) [250011E714](#) [2600HM11E](#) [2600R21E](#)