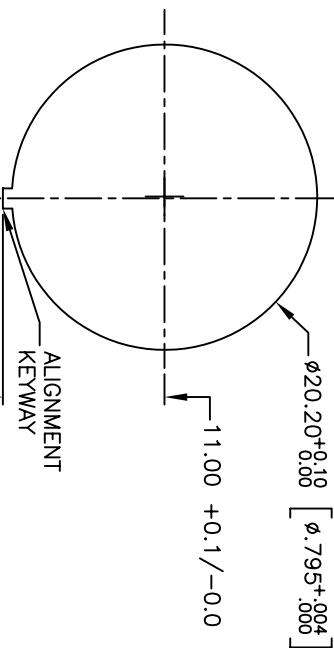


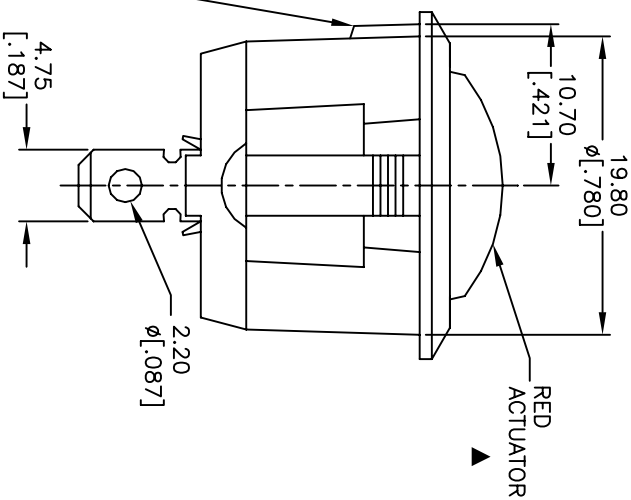
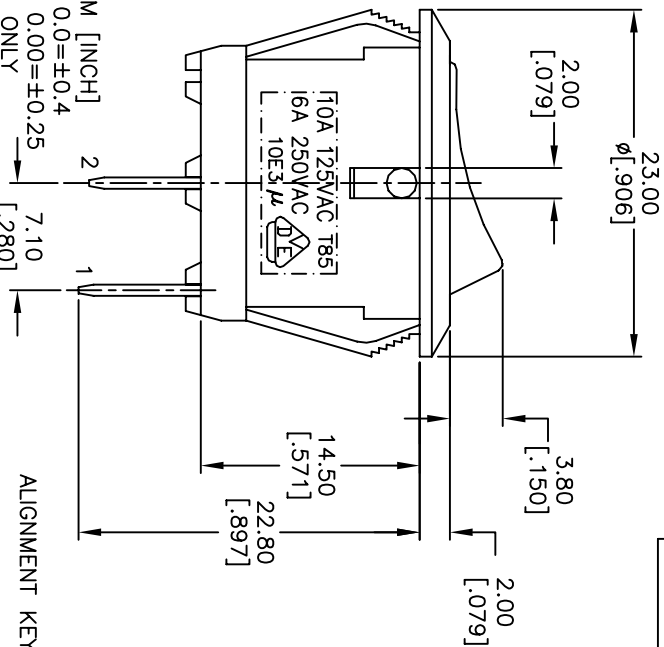
CIRCUIT: 2P: SPST  
CONTACT CONFIGURATION  
ON-OFF

SWITCH FUNCTION	POS. 1	POS. 3
ON		OFF
1-2		OPEN

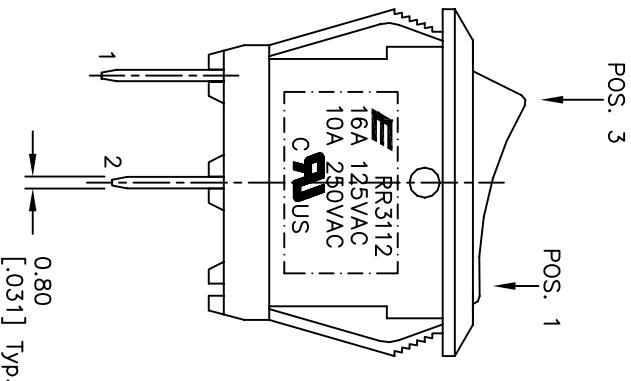


2.20 +0.1 / -0.0  
RECOMMEND PANEL MOUNTING

ALIGNMENT  
KEYWAY



RED  
ACTUATOR



- NOTES:
1. ALL DIMENSIONS IN MM [INCH]
  2. GENERAL TOLERANCE: 0.0 = ±0.4  
0.00 = ±0.25
  3. TERM. NOS. FOR REF. ONLY
  4. RATING: 16A, 125VAC, 10A, 250VAC UL&CUL APPROVED  
10A 125VAC, 6A 250V AC VDE APPROVED
  5. CONTACT RESISTANCE: 50m ohm max.
  6. INSULATION RESISTANCE: DC 500V 100M ohm min.
  7. DIELECTRIC STRENGTHS: AC 1500V 1 minute
  8. OPERATING TEMP.: -20°C to 85°C
  9. ▲ DENOTES CRITICAL PARAMETER.
  10. 2002/95/EC (ROHS) COMPLIANT
  11. PACKAGE: BAG/1,000 PIECES PER

REV.	ECN No.	DESCRIPTION	DATE	CHKD
A	16968	RELEASED FOR PRODUCTION	2/7/07	TN

THE INFORMATION CONTAINED IN THIS DOCUMENT IS PROPRIETARY TO E-SWITCH AND IS NOT TO BE COPIED OR TRANSMERED

TITLE	SCALE	DATE	DR	DWG	REV
RR3112ABL KREDNEFD	2:1	2/7/07	TN	F130427	A



## X-ON Electronics

Largest Supplier of Electrical and Electronic Components

*Click to view similar products for [Rocker Switches](#) category:*

*Click to view products by [E-Switch](#) manufacturer:*

Other Similar products are found below :

[LTI LA6E-1S-WH-RC-FN12VXCR1](#) [6-1571986-9](#) [8007K26N324V52](#) [8055K32Z7V](#) [8055K52Z7V](#) [8138K20E6M50](#) [84206L](#) [84312LX](#)  
[PREDD5-07F-BB0GW](#) [999-16716-002](#) [999-16716-003](#) [999-16716-004](#) [A101J1V3Q004](#) [A101J2ZQ004](#) [A101J4ZQ004](#) [A101J51CB0004](#)  
[A103J1ZQ004](#) [A201J1AQ004](#) [A201J3ZB004](#) [A201J50ZQ004](#) [A203J51ZQ0004](#) [A435S1YZQ](#) [H8500XBBBBL-A](#) [H8653VBBG2577W](#)  
[HB130CHNWWNAAC](#) [R13112ABB-602W](#) [1251.0303](#) [AE205J60V3B004](#) [1352.0107](#) [1500G51E](#) [1571099-3](#) [1571987-4](#) [1571987-5](#)  
[1571989-7](#) [1571988-5](#) [B123J77V7B2](#) [B226J50W4Q22P](#) [B433J37ZQ22M](#) [160212E](#) [1634200-7](#) [1801.1164](#) [1839.1502](#) [PANEL-PLUG-VHP-](#)  
[BLACK](#) [PANEL-PLUG-VHP-WT](#) [K1ABBSCADN](#) [K2ABAAAAAA](#) [KG312A2DXD246X](#) [250011E714](#) [2600HM11E](#) [2600R21E](#)