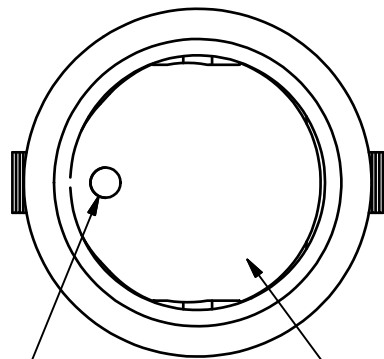


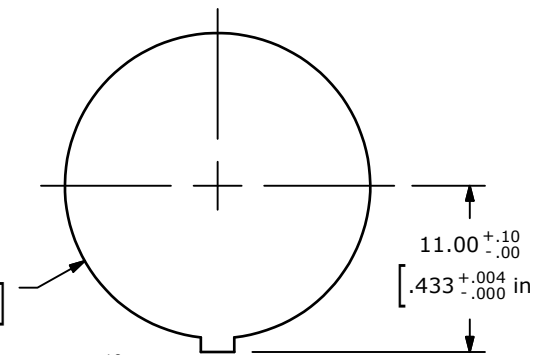
▲ SWITCH FUNCTION		
POS. 1	POS. 2	POS. 3
ON	OFF	ON
2-1	OPEN	2-3



▲ "A" DOT MARKING  
WHITE

R20.20  $^{+.10}_{-.00}$   
[.795  $^{+.004}_{-.000}$  in]

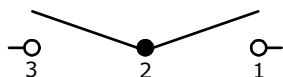
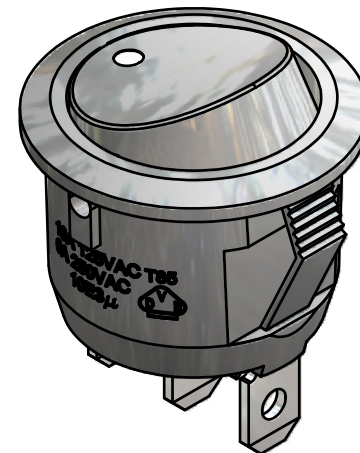
▲ ACTUATOR COLOR:  
BLACK



2.20  $^{+.10}_{-.00}$   
[.087  $^{+.004}_{-.000}$  in]

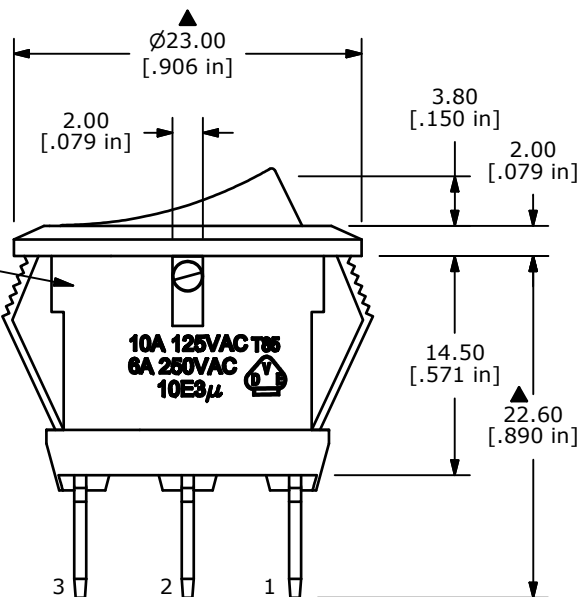
11.00  $^{+.10}_{-.00}$   
[.433  $^{+.004}_{-.000}$  in]

RECOMMENDED PANEL MOUNTING



CIRCUIT: SPDT

▲ HOUSING COLOR:  
BLACK



Ø23.00  
[.906 in]

2.00  
[.079 in]

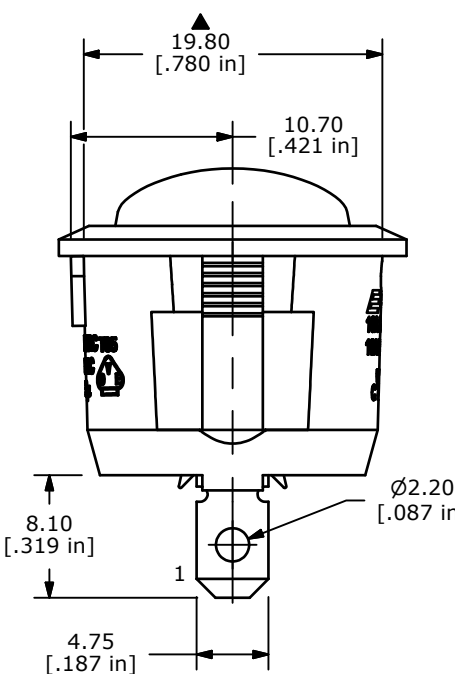
3.80  
[.150 in]

2.00  
[.079 in]

14.50  
[.571 in]

22.60  
[.890 in]

3 2 1



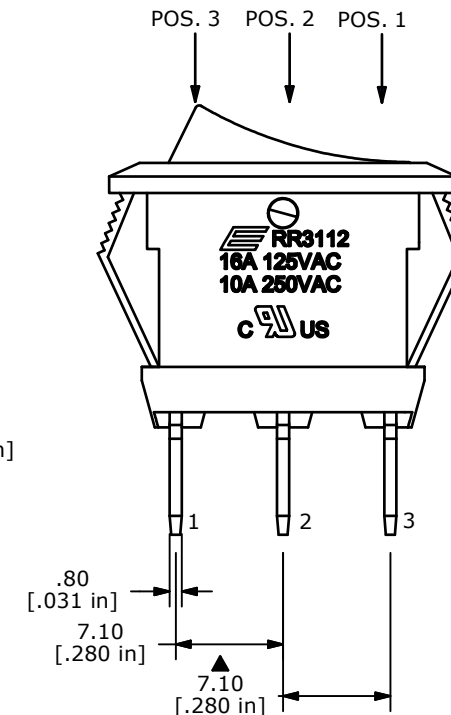
19.80  
[.780 in]

10.70  
[.421 in]

8.10  
[.319 in]

Ø2.20  
[.087 in]

4.75  
[.187 in]



POS. 3 POS. 2 POS. 1

.80  
[.031 in]

7.10  
[.280 in]

7.10  
[.280 in]

1 2 3

NOTES:

1. ALL DIMENSIONS IN MM [INCH]
2. GENERAL TOLERANCE: x.x=±0.4  
x.xx=±0.25
3. TERM. NOS. FOR REF. ONLY
- ▲ 4. RATING: 10A 250VAC  
16A 125VAC
5. CONTACT RESISTANCE: 50mOHM MAX.
6. INSULATION RESISTANCE: DC 500V 100M OHM MIN.
7. DIELECTRIC STRENGTH: AC 1500V 1 MIN
8. OPERATING TEMPERATURE: 0°C to 65°C
9. ▲ DENOTE CRITICAL PARAMETER
10. 2002/95/EC (ROHS) COMPLIANT.

TITLE RR3112DBLKBLKNAF0				
SCALE	DATE	DR	DWG	REV
2:1	8/9/2011	BGL	F130431	A

A	20083	RELEASE FOR PRODUCTION	8/9/11	BGL
REV	PCR NO	DESCRIPTION	DATE	BY
THE INFORMATION CONTAINED IN THIS DOCUMENT IS PROPRIETARY TO E-SWITCH AND IS NOT TO BE COPIED OR TRANSFERRED				

## X-ON Electronics

Largest Supplier of Electrical and Electronic Components

*Click to view similar products for [Rocker Switches](#) category:*

*Click to view products by [E-Switch](#) manufacturer:*

Other Similar products are found below :

[LTI LA6E-1S-WH-RC-FN12VXCR1](#) [6-1571986-9](#) [8007K26N324V52](#) [8055K32Z7V](#) [8055K52Z7V](#) [8138K20E6M50](#) [84206L](#) [84312LX](#)  
[PREDD5-07F-BB0GW](#) [999-16716-002](#) [999-16716-003](#) [999-16716-004](#) [A101J1V3Q004](#) [A101J2ZQ004](#) [A101J4ZQ004](#) [A101J51CB0004](#)  
[A103J1ZQ004](#) [A201J1AQ004](#) [A201J3ZB004](#) [A201J50ZQ004](#) [A203J51ZQ0004](#) [A435S1YZQ](#) [H8500XBBBBBL-A](#) [H8653VBBG2577W](#)  
[HB130CHNWWNAAC](#) [R13112ABB-602W](#) [1251.0303](#) [AE205J60V3B004](#) [1352.0107](#) [1500G51E](#) [1571099-3](#) [1571987-4](#) [1571987-5](#)  
[1571989-7](#) [1571988-5](#) [B123J77V7B2](#) [B226J50W4Q22P](#) [B433J37ZQ22M](#) [160212E](#) [1634200-7](#) [1801.1164](#) [1839.1502](#) [PANEL-PLUG-VHP-](#)  
[BLACK](#) [PANEL-PLUG-VHP-WT](#) [K1ABBSCADN](#) [K2ABAAAAAA](#) [KG312A2DXD246X](#) [250011E714](#) [2600HM11E](#) [2600R21E](#)