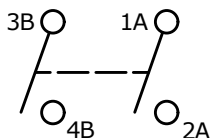


▲ PANEL CUTOUT

PANEL THICKNESS	(X) DIM.
0.75 TO 1.25	20.2mm
1.25 TO 2.00	20.4mm
2.00 TO 3.00	20.6mm

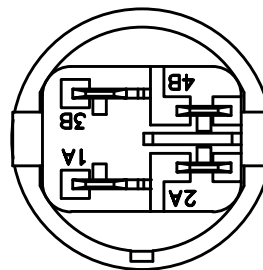
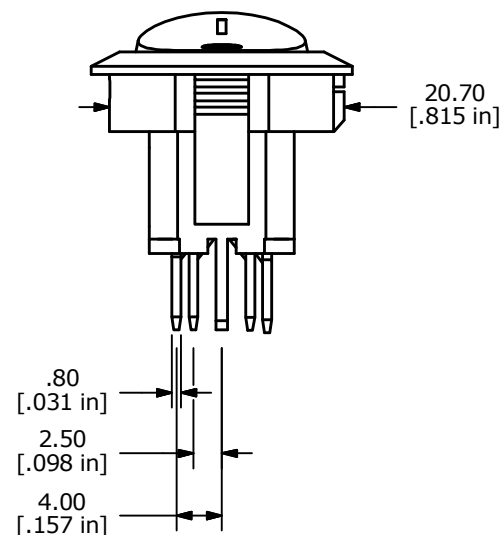
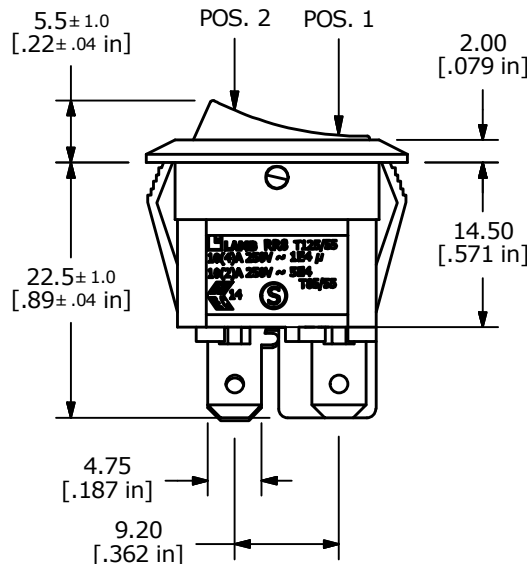
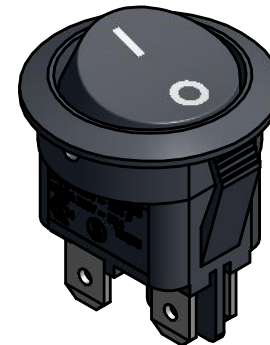
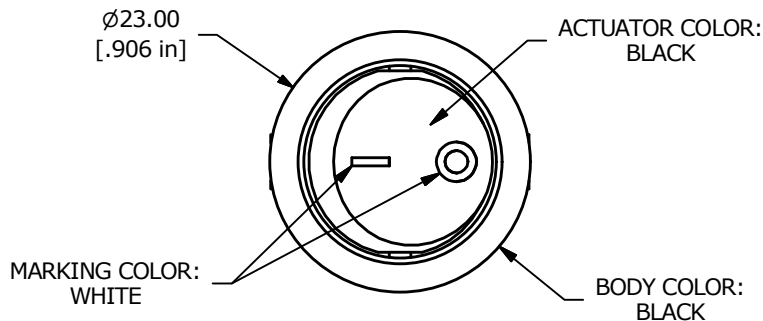
SWITCH FUNCTION	
POS. 1	POS. 2
OFF	ON
OPEN	3B-4B, 1A-2A



CIRCUIT: DPST  
FUNCTIONS  
▲ OFF - ON

NOTE:

1. DIMENSIONS IN MM [INCH]
2. GENERAL TOLERANCE: X.X = ± 0.4  
X.XX = ± 0.25
3. TERMINAL NUMBERS FOR REF ONLY
4. CONTACT MATERIAL: SILVER
5. CONTACT RATING: 16A 125VAC [UL, cUL]  
10A 250VAC [UL, cUL]  
1/3HP 125/250VAC [UL, cUL]  
10(4)A 250V~1E4 T125/55 [VDE]  
10(2)A 250V~5E4 T185/55 [VDE]
6. CONTACT RESISTANCE: 35mΩ MAX. @ 50VAC
7. INSULATION RESISTANCE: 100MΩ MIN. @ 500VAC
8. DIELECTRIC STRENGTH: 1,500VAC FOR 1 MINUTE
9. ELECTRICAL LIFE: 6,000 CYCLES [UR, cUR]  
10,000 CYCLES [ENEC14, SEMKO: 10(4)A 250V~]
10. OPERATING TEMPERATURE: -20°C TO 105°C [UR, cUR]  
-20°C TO 125°C [ENEC14, SEMKO]
11. ▲ DENOTES CRITICAL PARAMETER
12. 2011/65/EU (ROHS) COMPLIANT



E	22403	ADDED BOTTOM VIEW	7/22/16	MJR
D	21393	CORRECT SCHEMATIC	3/4/14	EBP
REV	PCR NO	DESCRIPTION	DATE	BY

TITLE RR812C1121				
SCALE 3:2	DATE 3/8/2012	DR BGL	DWG 38-RR812C1121	REV E

## X-ON Electronics

Largest Supplier of Electrical and Electronic Components

*Click to view similar products for [Rocker Switches](#) category:*

*Click to view products by [E-Switch](#) manufacturer:*

Other Similar products are found below :

[LTI LA6E-1S-WH-RC-FN12VXCR1](#) [6-1571986-9](#) [8007K26N324V52](#) [8055K32Z7V](#) [8055K52Z7V](#) [8138K20E6M50](#) [84206L](#) [84312LX](#)  
[PREDD5-07F-BB0GW](#) [999-16716-002](#) [999-16716-003](#) [999-16716-004](#) [A101J1V3Q004](#) [A101J2ZQ004](#) [A101J4ZQ004](#) [A101J51CB0004](#)  
[A103J1ZQ004](#) [A201J1AQ004](#) [A201J3ZB004](#) [A201J50ZQ004](#) [A203J51ZQ0004](#) [A435S1YZQ](#) [H8500XBBBBBL-A](#) [H8653VBBG2577W](#)  
[HB130CHNWWNAAC](#) [R13112ABB-602W](#) [1251.0303](#) [AE205J60V3B004](#) [1352.0107](#) [1500G51E](#) [1571099-3](#) [1571987-4](#) [1571987-5](#)  
[1571989-7](#) [1571988-5](#) [B123J77V7B2](#) [B226J50W4Q22P](#) [B433J37ZQ22M](#) [160212E](#) [1634200-7](#) [1801.1164](#) [1839.1502](#) [PANEL-PLUG-VHP-](#)  
[BLACK](#) [PANEL-PLUG-VHP-WT](#) [K1ABBSCADN](#) [K2ABAAAAAA](#) [KG312A2DXD246X](#) [250011E714](#) [2600HM11E](#) [2600R21E](#)