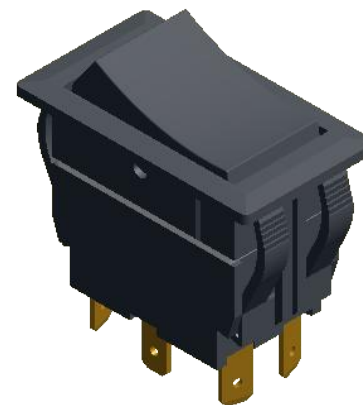
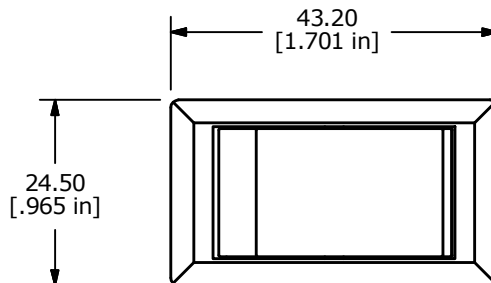
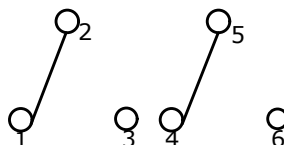


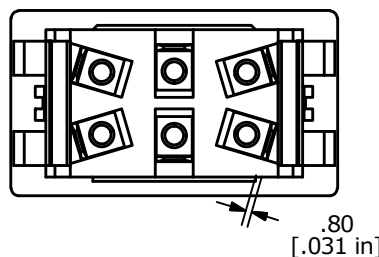
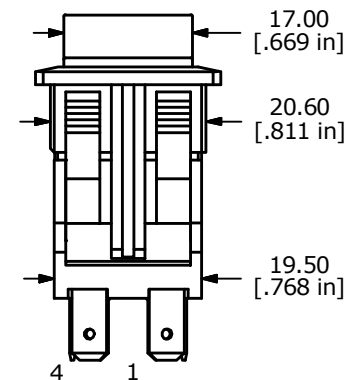
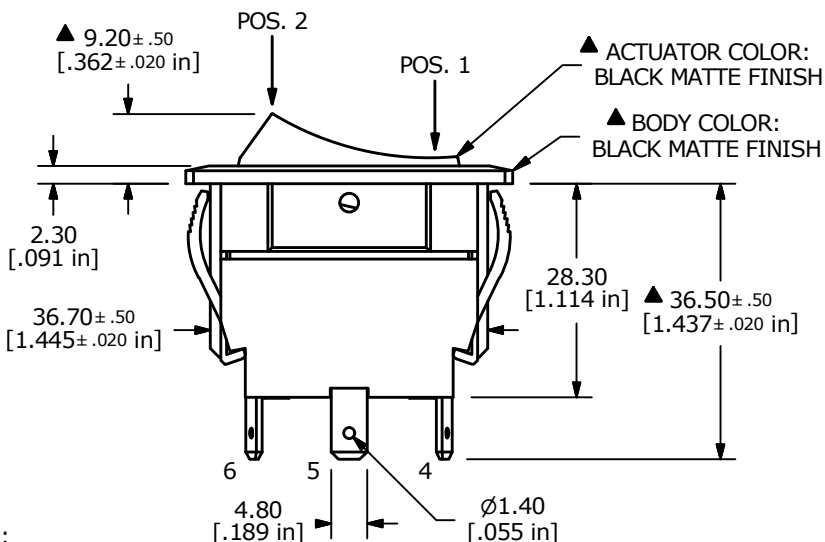
SUGGESTED PANEL CUTOUT
MAX PANEL THICKNESS 6.0mm



SWITCH FUNCTION	
POS. 2	POS. 1
ON	ON
2-1, 5-4	2-3, 5-6



▲ **CIRCUIT: DPDT**
ON - ON
MAINTAINED



NOTES:

1. ALL DIMENSIONS IN MM [INCH]
2. GENERAL TOLERANCE: X.X±0.4
X.XX±0.25
- ▲ 3. RATINGS: ANSI/UL 508 AND CAN/CSA C22.2 NO.14 (E195908):
20A, 125VAC [cURus]
15A, 277VAC [cURus]
2HP, 110/250VAC [cURus]
4. CONTACT RESISTANCE: 50 mΩ MAX. @ 50VAC
5. INSULATION RESISTANCE: 800 MΩ MIN. @ 500VDC
6. OPERATING TEMPERATURE: 0°C TO +55°C [cURus, CSA]
0°C TO +55°C [VDE]
7. ELECTRICAL LIFE: 6,000 CYCLES [cURus]
8. DIELECTRIC STRENGTH: 1,500V FOR 1 MINUTE
10. INGRESS PROTECTION: IP54
11. ▲ DENOTES CRITICAL PARAMETER
12. 2011/65/EU (RoHS) COMPLIANT.



B	22502	UPDATED NOTES	5/18/17	MJR
A	00051	RELEASE FOR PRODUCTION	8/6/09	CAB
REV	PCR NO	DESCRIPTION	DATE	BY

TITLE RVW4GD1100				
SCALE 1:1	DATE 8/6/2009	DR CAB	DWG 34-RVW4GD1100	REV B

THE INFORMATION CONTAINED IN THIS DOCUMENT IS PROPRIETARY TO E-SWITCH AND IS NOT TO BE COPIED OR TRANSFERRED

X-ON Electronics

Largest Supplier of Electrical and Electronic Components

Click to view similar products for [Rocker Switches](#) category:

Click to view products by [E-Switch](#) manufacturer:

Other Similar products are found below :

[LTI LA6E-1S-WH-RC-FN12VXCR1](#) [6-1571986-9](#) [8007K26N324V52](#) [8055K32Z7V](#) [8055K52Z7V](#) [8138K20E6M50](#) [84206L](#) [84312LX](#)
[PREDD5-07F-BB0GW](#) [999-16716-002](#) [999-16716-003](#) [999-16716-004](#) [A101J1V3Q004](#) [A101J2ZQ004](#) [A101J4ZQ004](#) [A101J51CB0004](#)
[A103J1ZQ004](#) [A201J1AQ004](#) [A201J3ZB004](#) [A201J50ZQ004](#) [A203J51ZQ0004](#) [A435S1YZQ](#) [H8500XBBBBL-A](#) [H8653VBBG2577W](#)
[HB130CHNWWNAAC](#) [R13112ABB-602W](#) [1251.0303](#) [AE205J60V3B004](#) [1352.0107](#) [1500G51E](#) [1571099-3](#) [1571987-4](#) [1571987-5](#)
[1571989-7](#) [1571988-5](#) [B123J77V7B2](#) [B226J50W4Q22P](#) [B433J37ZQ22M](#) [160212E](#) [1634200-7](#) [1801.1164](#) [1839.1502](#) [PANEL-PLUG-VHP-](#)
[BLACK](#) [PANEL-PLUG-VHP-WT](#) [K1ABBSCADN](#) [K2ABAAAAAA](#) [KG312A2DXD246X](#) [250011E714](#) [2600HM11E](#) [2600R21E](#)