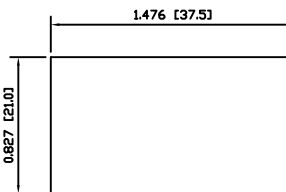
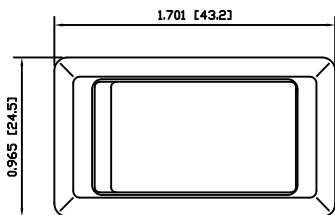


SUGGESTED PANEL CUTOUT



MATERIALS

- BODY:
Polyamide 6/6 (PA66), UL94 V-2
- ACTUATOR:
Polyamide 6/6 (PA66), UL94 V-2
- SEALING MEMBRANE:
Polyvinyl Chloride (PVC)
- SPRING:
Plano Wire
- MOBILE CONTACT BAR:
Copper
- CONTACT PADS:
Silver Clad Copper
- RIVETS:
Copper
- TERMINALS:
Brass

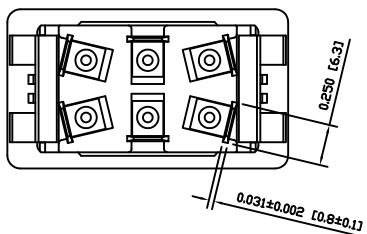
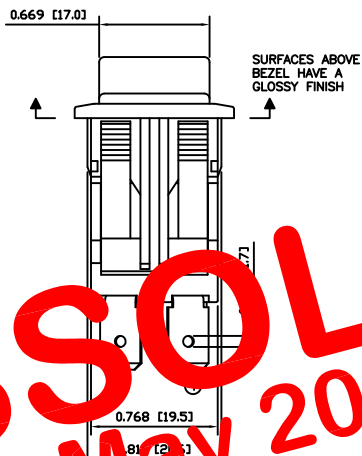
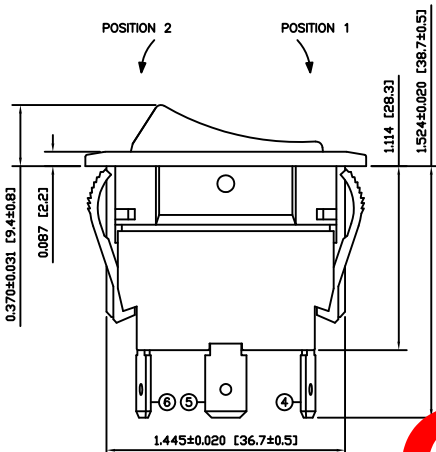
SPECIFICATIONS

- FUNCTION:
2P2T ON-ON
- RATINGS:
ANSI/UL 508 and CAN/CSA C22.2 No.14 (E195908):
20A 125VAC [cURus]
15A 277VAC [cURus]
2HP 110/250VAC [cURus]
- CONTACT RESISTANCE:
Initial: 10mΩ Max.
- ELECTRICAL LIFE:
6,000 Cycles [cURus]
- TEMPERATURE:
Operating: 0°C to 40°C [cURus]
- INGRESS PROTECTION:
IP54
- APPROVALS:

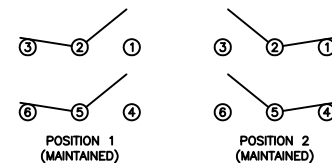
COLORS AND MARKINGS

- BODY COLOR:
Black
- ACTUATOR COLOR:
Black
- MARKING:
None
- MARKING COLOR:
None

OBSOLETE
 May 2017
 PCR 22507



SCHEMATIC



ACTUATOR	B	10/05/26	CAB
BODY	B	10/05/26	CAB
COLORS	A	09/06/15	CAB
MATERIALS	C	10/03/01	CAB
SPECIFICATIONS	C	10/03/01	CAB
REFERENCE	REV.	DATE	BY

THE INFORMATION CONTAINED IN THIS DOCUMENT IS PROPRIETARY TO E-SWITCH AND IS NOT TO BE COPIED OR TRANSFERRED

B	CORRECTED SPECIFICATIONS	PCRD0247	09/12/09	CAB
A	INITIAL RELEASE	PCRD0051	09/08/05	CAB
REV.	DESCRIPTION	PCR	DATE	DRAWN BY

DIMENSIONS	
INCHES [MILLIMETERS]	
GENERAL TOLERANCES	
±0.008 [±0.2] / ±1'	
SCALE	PROJECTION
DRAWING NOT TO SCALE	

RVWG4GD1100		
DRAWING NUMBER	DATE	REVISION
34-RVWG4GD1100	DECEMBER 9, 2009	B

X-ON Electronics

Largest Supplier of Electrical and Electronic Components

Click to view similar products for [Rocker Switches](#) category:

Click to view products by [E-Switch](#) manufacturer:

Other Similar products are found below :

[LTI LA6E-1S-WH-RC-FN12VXCR1](#) [6-1571986-9](#) [8007K26N324V52](#) [8055K32Z7V](#) [8055K52Z7V](#) [8138K20E6M50](#) [84206L](#) [84312LX](#)
[PREDD5-07F-BB0GW](#) [999-16716-002](#) [999-16716-003](#) [999-16716-004](#) [A101J1V3Q004](#) [A101J2ZQ004](#) [A101J4ZQ004](#) [A101J51CB0004](#)
[A103J1ZQ004](#) [A201J1AQ004](#) [A201J3ZB004](#) [A201J50ZQ004](#) [A203J51ZQ0004](#) [A435S1YZQ](#) [H8500XBBBBL-A](#) [H8653VBBG2577W](#)
[HB130CHNWWNAAC](#) [R13112ABB-602W](#) [1251.0303](#) [AE205J60V3B004](#) [1352.0107](#) [1500G51E](#) [1571099-3](#) [1571987-4](#) [1571987-5](#)
[1571989-7](#) [1571988-5](#) [B123J77V7B2](#) [B226J50W4Q22P](#) [B433J37ZQ22M](#) [160212E](#) [1634200-7](#) [1801.1164](#) [1839.1502](#) [PANEL-PLUG-VHP-](#)
[BLACK](#) [PANEL-PLUG-VHP-WT](#) [K1ABBSCADN](#) [K2ABAAAAAA](#) [KG312A2DXD246X](#) [250011E714](#) [2600HM11E](#) [2600R21E](#)