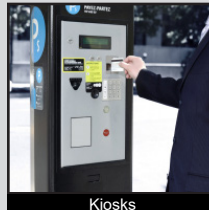


# SAV4 SERIES ANTI-VANDAL SWITCH

ANTI-VANDAL SWITCHES  
DETECTOR SWITCHES  
DIP SWITCHES  
KEYLOCK SWITCHES  
NAVIGATION SWITCHES  
PUSHBUTTON SWITCHES  
ROCKER SWITCHES  
ROTARY SWITCHES  
SLIDE SWITCHES  
SNAP ACTION SWITCHES  
TACTILE SWITCHES  
TOGGLE SWITCHES  
CAP OPTIONS



## APPLICATIONS / MARKETS



RoHS

## SPECIFICATIONS

**Electrical Rating:** 15A, 125/250VAC  
**Electrical Life:** 10,000 Cycles  
**Contact Resistance:** 100mΩ max,  
**Insulation Resistance:** 100MΩ @ 500VDC  
**Dielectric Strength:** 1,500VAC for 60 seconds  
**Operating/Storage Temperature:** -25°C to 85°C  
**Travel:** 3.2mm  
**Moisture Protection:** IP67 (at front panel)  
**Actuation Force:** 3.5N  
**Panel Thickness:** 1-10mm  
**Hex Nut Torque:** 1-3Nm

## FEATURES & BENEFITS

- 19mm diameter panel cutout
- Dot, ring, power, or ring/power illumination options
- Multiple illumination voltage options
- Momentary and latching functions
- 15A high current rating

## PART NUMBER CONFIGURATOR

Series	Actuator	Terminal	Function	Body Finish	Actuator Finish	Lens Style	LED Color	Illumination Voltage
SAV4	F - Flat	1 - 4.8mm Quick Connect	3 - 1P ON-ON B - 1P ON-(ON)*	S - Stainless Steel 1 - Black Anodized	S - Stainless Steel 1 - Black Anodized	None - Non-Illuminated 3 - Ring, moveable with actuator 5 - Power Symbol 6 - Ring / Power Symbol moveable with actuator	None - Non-Illuminated 0 - White 1 - Red 2 - Orange 3 - Green 4 - Blue 5 - Yellow G - Red / Green P - Green / Yellow	None - Non-Illuminated 1 - 3V 3 - 6V 4 - 12V 5 - 24V 6 - 110V 7 - 220V

**NOTES:**

\*( ) denotes function is momentary  
 Call us for custom graphic options 800-867-2717

Specifications subject to change without notice 8.14.2019



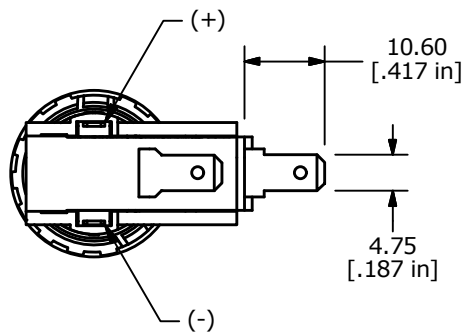
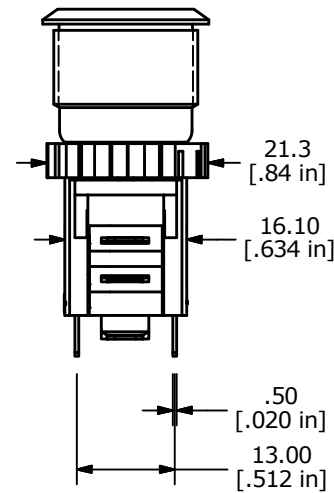
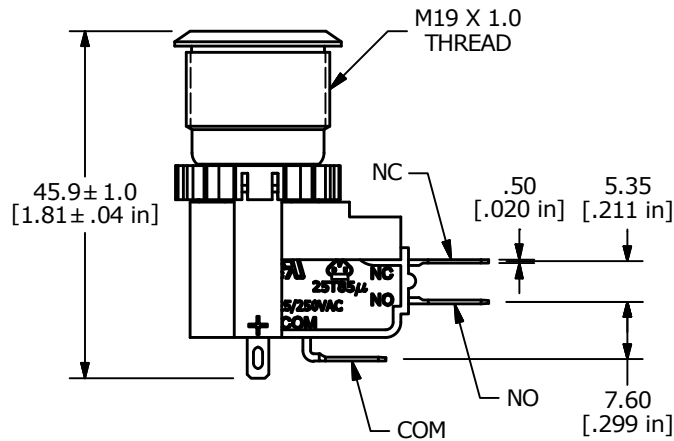
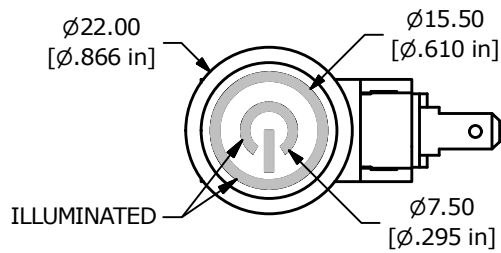
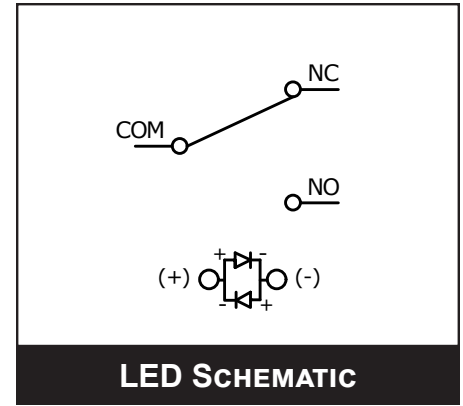
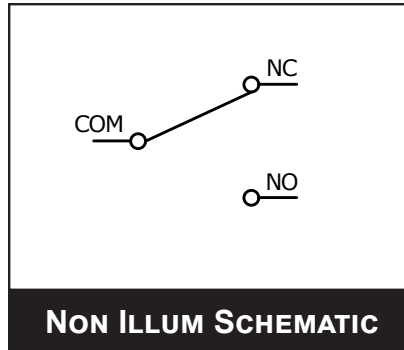
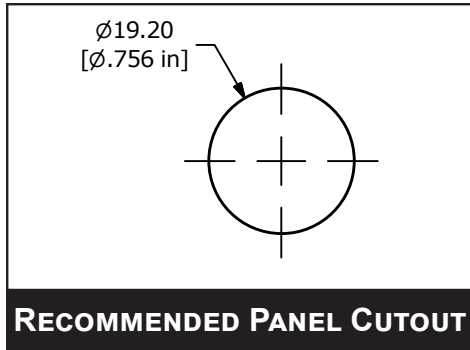
E-SWITCH®

www.e-switch.com

800.867.2717

# SAV4 SERIES ANTI-VANDAL SWITCH

## BODY DIMENSIONS



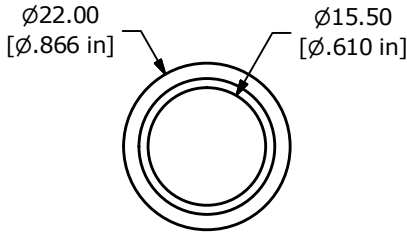
ILLUMINATED RING / POWER SYMBOL OPTION SHOWN

LED (+) AND (-) TERMINALS ARE NOT INCLUDED ON THE NON-ILLUMINATED OPTION

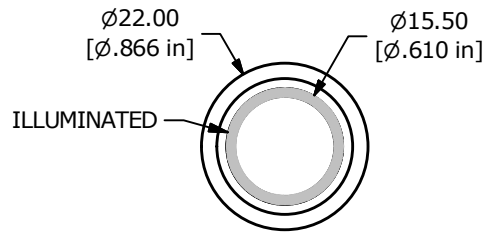


# SAV4 SERIES ANTI-VANDAL SWITCH

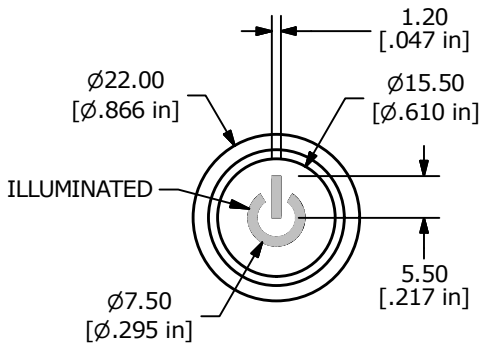
## LENS STYLE OPTIONS



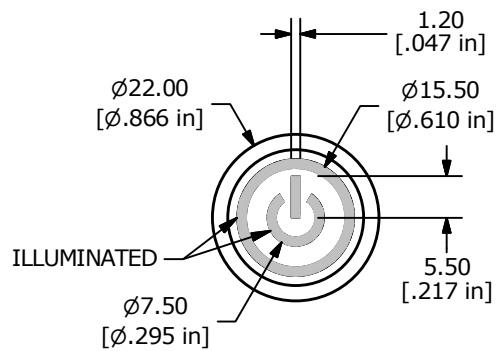
NON-ILLUMINATED



RING ILLUMINATED



POWER SYMBOL  
ILLUMINATED



RING / POWER SYMBOL  
ILLUMINATED



## X-ON Electronics

Largest Supplier of Electrical and Electronic Components

*Click to view similar products for [Pushbutton Switches](#) category:*

*Click to view products by [E-Switch](#) manufacturer:*

Other Similar products are found below :

[8940K2012](#) [LW1L-M1C10V-A](#) [LW1L-M1C70-A](#) [LW2L-A1C20M-GD](#) [LW2L-M1C20M-A](#) [60324L](#) [M22-D-R-GB0/K11](#) [M7E-HRN2](#)  
[67021K512](#) [67081K512X](#) [701PB580](#) [7190K101](#) [7199K101](#) [810K12910](#) [810KSV30B](#) [MML21EA2ADK](#) [MML21KA3ABK](#)  
[MML23KA3AC05K-001](#) [MML23KW3AA01W](#) [8418K2](#) [8442K3](#) [8450K1](#) [860K11911T01A](#) [861901](#) [861K11911T01A07](#)  
[861K13810T00A14](#) [861K13911](#) [8646AB6X718UL](#) [8646ABUL](#) [9001KXRK](#) [907AYY100](#) [PMHD155A1](#) [95-313.000](#)  
[9533CD4+U574+U4922](#) [95-414.000](#) [99-450.837](#) [99-453.837](#) [PV3H2B0NN-341](#) [1203MRA](#) [A22NZBGANGA](#) [A22NZBMMNGA](#)  
[A22NZBNANGA](#) [A22NZMPATRA](#) [A2PMA1X03EC56](#) [A3A-5123-02](#) [A3A-7140](#) [A3A-7310](#) [A3A-7340](#) [A3U-TMW-A2C-5M](#) [A595](#)