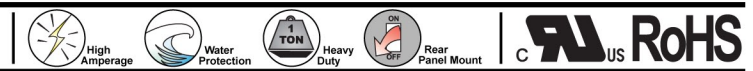
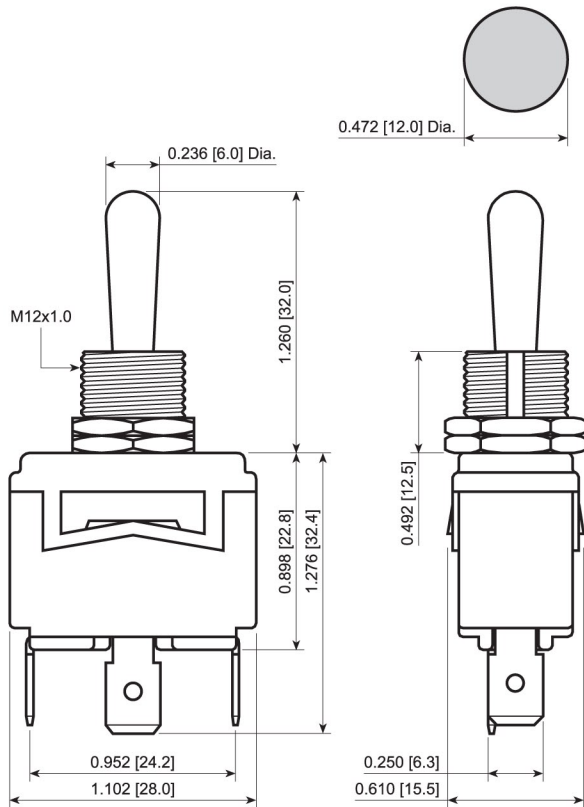


ST1 Series

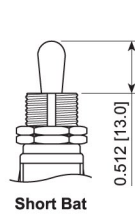


TOGGLE

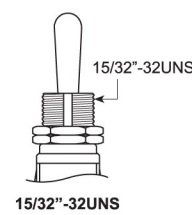
Panel Cutout



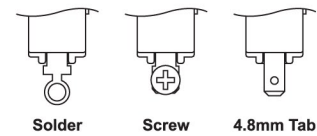
Actuator Options



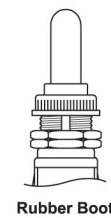
Bushing Options



Terminal Options



Water Protection Options



FEATURES:

- Heavy Duty Rating with UL Approvals
- Many Functions Available
- Tab, Screw, and Solder Terminal Options
- Rubber Boot for Water and Dust Protection

SPECIFICATIONS:

RATING: MAINTAINED SWITCHES:

- 20A 125VAC [cULus]
- 15A 250VAC [cULus]
- 2HP 125-250VAC [cULus]

MOMENTARY SWITCHES:

- 20A 125VAC [cULus]
- 15A 250VAC [cULus]
- 1.5HP 125-250VAC [cULus]

TEMPERATURE: -20°C to 85°C

ELECTRICAL LIFE: 6,000 Cycles

CONTACT RESISTANCE: 50mΩ Max.

INSULATION RESISTANCE: 800MΩ Min. at 500VDC

DIELECTRIC STRENGTH: 1,500VAC for 1 Minute

MATERIALS:

- Body: Phenolic, UL94 V-0
- ACTUATOR: Nickel Plated Brass
- BUSHING: Nickel Plated Brass
- HOUSING: Stainless Steel
- CONTACTS: Silver Alloy
- TERMINALS: Silver Plated Brass

Series	Terminal	Function	Rating	Actuator Type	Bushing Type
ST1 - 1 Pole	1 - 4.8mm Tabs 2 - Solder 4 - 6.3mm Tabs 6 - Screw	1 Pole: 1 - Off-On 3 - On-On 4 - Off-(On), Middle-End 5 - On-Off-On C - On-Off-(On) D - (On)-Off-(On)	D - 20A 125VAC	0 - Standard Bat 1 - Short Bat	0 - M12x1.0 2 - 15/32\"-32UNS
Variable Length: Wxx - Wire Leads (xx in Inches)					



ST161D10



Accessories Series	Type	Options
ACC	Rubber Boot: B03 - For Standard Bat	Colors for Boot: 2 - Black
	Marking Plates: M01 - ON/Off	Colors for Marking Plates: 3 - Black, Red, and Silver
	Hardware: N02 - Knurled Nut	Threading: 3 - 15/32\"-32UNS 5 - M12x1.0

EXAMPLE PART NUMBERS:

ST121D00	1P Off-On Standard Actuator/Bushing, Solder
ST123D00	1P On-On Standard Actuator/Bushing, Solder
ST124D00	1P Off-(On) Standard Actuator/Bushing, Solder
ST125D00	1P On-Off-On Standard Actuator/Bushing, Solder
ST12DD00	1P (On)-Off-(On) Standard Actuator/Bushing, Solder
ST141D00	1P Off-On Standard Actuator/Bushing, 0.250\" QC
ST143D00	1P On-On Standard Actuator/Bushing, 0.250\" QC
ST144D00	1P Off-(On) Standard Actuator/Bushing, 0.250\" QC

X-ON Electronics

Largest Supplier of Electrical and Electronic Components

Click to view similar products for [Toggle Switches](#) category:

Click to view products by [E-Switch](#) manufacturer:

Other Similar products are found below :

[8928K478](#) [020017-13](#) [60012L](#) [6006L](#) [CS115W](#) [CS120W](#) [637H/25](#) [6663](#) [7101SPDV30BE](#) [7103SDV30BE](#) [7105D](#) [7108P3YAV2BE](#)
[71YY50282](#) [7300K36](#) [7301K38](#) [7306K36](#) [7310K36](#) [7506K4](#) [7592K6](#) [7660K12](#) [7691K14](#) [7700K1](#) [8396K108](#) [8824K14](#) [8828K13](#) [8835K3](#)
[8858K44](#) [PS83-121G](#) [1-1825192-0](#) [A201SCWZB04](#) [A207SYCB04](#) [A208J61ZQ0004](#) [A221T1TCQ](#) [A232M1YCQ](#) [A323S1CWZQ](#)
[A423S1CWZG-M8](#) [1201W](#) [12156AX408](#) [12147AGKX679](#) [12246X778](#) [12TW49-3D](#) [130312](#) [13037L](#) [13001X](#) [AE101MD1W4B04](#)
[AE208SD1W4B04](#) [MS24659-22D](#) [MS27407-5](#) [1520230-9](#) [1520231-1](#)