

ST1 SERIES TOGGLE SWITCH

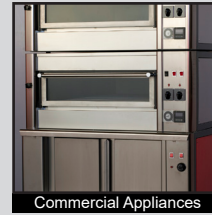
ANTI-VANDAL SWITCHES
DETECTOR SWITCHES
DIP SWITCHES
KEYLOCK SWITCHES
NAVIGATION SWITCHES
PUSHBUTTON SWITCHES
ROCKER SWITCHES
ROTARY SWITCHES
SLIDE SWITCHES
SNAP ACTION SWITCHES
TACTILE SWITCHES
TOGGLE SWITCHES
CAP OPTIONS



APPLICATIONS / MARKETS



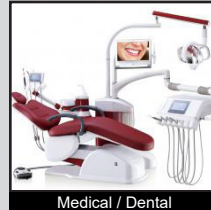
Floor Care Appliances



Commercial Appliances



Industrial Controls



Medical / Dental



HVAC



Vending Machines

RoHS

SPECIFICATIONS

Rating: Maintained Switches: 20A 125VAC [cULus]
15A 277VAC [cULus]
2.0HP 125-277VAC [cULus]
Momentary Switches: 20A 125VAC [cULus]
15A 277VAC [cULus]
1.5HP 125-277VAC [cULus]

Electrical Life: 6,000 cycles
Contact Resistance: 50mΩ Max.
Insulation Resistance: 2MΩ Min. at 500VDC for 1 Minute
Dielectric Strength: 1,000VAC for 1 Minute
Operating Temperature: 0°C to 85°C
Storage Temperature: -20°C to 85°C

FEATURES & BENEFITS

- Heavy duty rating with UL approvals
- Many functions available
- Tab, screw, and solder terminal options
- Soldered wire leads (500mm long) optional

PART NUMBER CONFIGURATOR

Series



ST1 - 1 Pole

Terminal



1 - 4.8mm Tabs
2 - Solder
4 - 6.3mm Tabs
6 - Screw
W - Wire Leads
500mm long

Function



1 - 1 Pole Off - On
3 - 1 Pole On - On
4 - 1 Pole Off - (On)
Middle - End
5 - 1 Pole
On - Off - On
C - 1 Pole
On - Off - (On)
D - 1 Pole
(On) - Off - (On)

Rating



D - 20A 125VAC

Actuator Type



0 - Standard Bat
1 - Short Bat

Bushing Type



0 - M12 x 1.0
2 - 15/32" - 32UNS

NOTES:

() = Denotes function is momentary

Specifications subject to change without notice 3.8.2021



E-SWITCH®

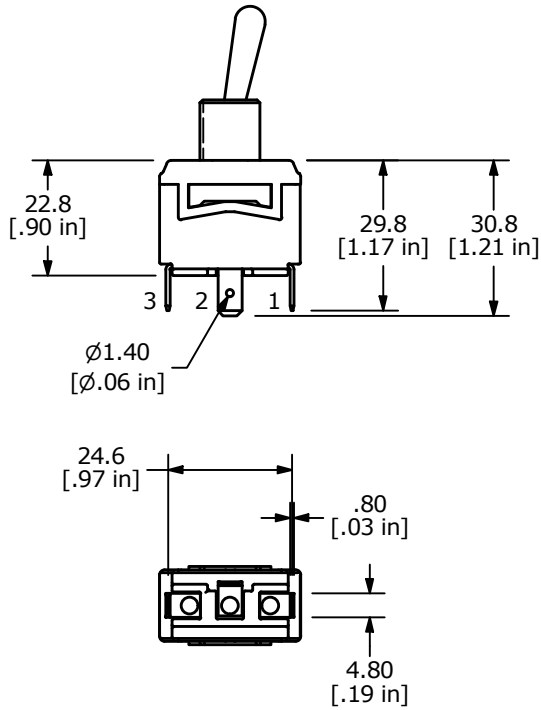
www.e-switch.com

800.867.2717

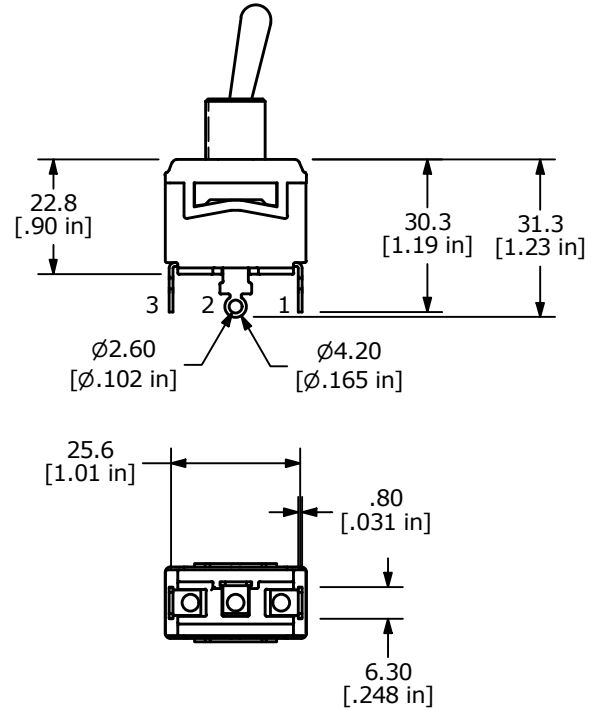
1

ST1 SERIES TOGGLE SWITCH

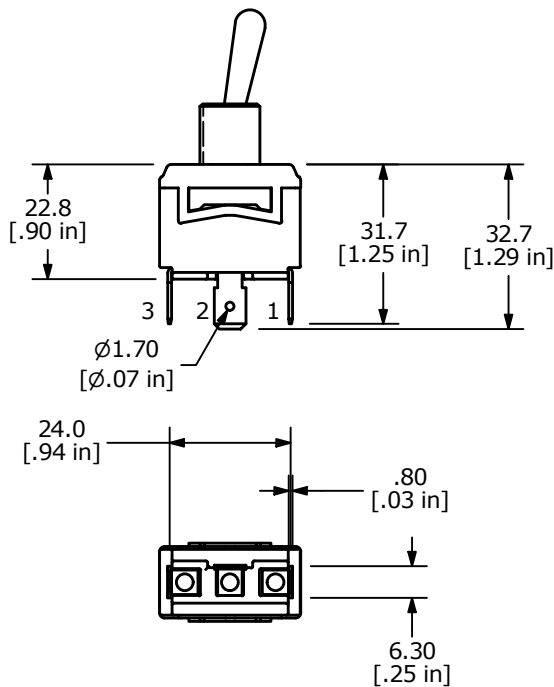
TERMINAL OPTIONS



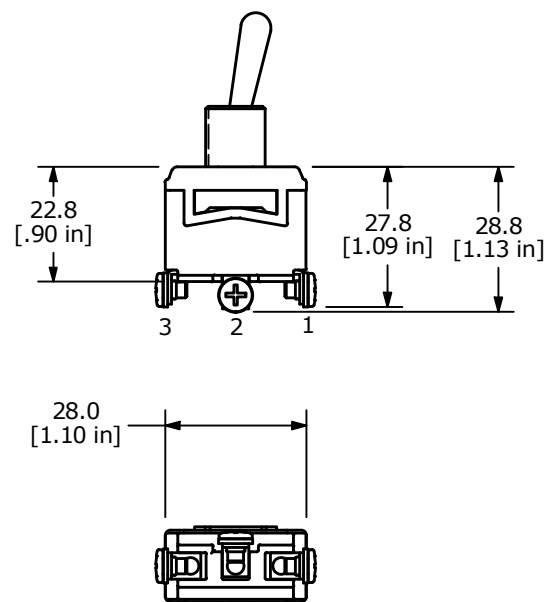
1 = 4.8mm TABS



2 = SOLDER



4 = 6.3mm TABS



6 = SCREW

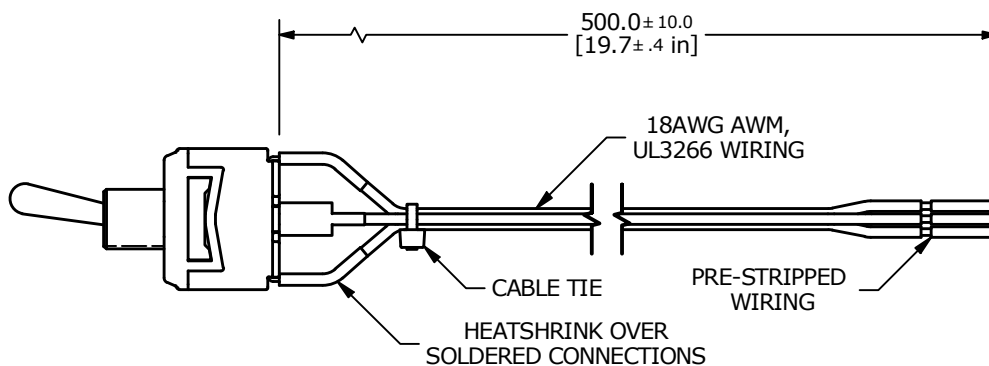


ST1 SERIES TOGGLE SWITCH

TERMINAL OPTIONS (CONTINUED)

SWITCH	WIRE	LENGTH
SW1-1	WIRE, 18AWG AWM UL3266, GREEN	500.0 [19.7 in]
SW1-2	WIRE, 18AWG AWM UL3266, PINK	500.0 [19.7 in]
SW1-3	WIRE, 18AWG AWM UL3266, YELLOW	500.0 [19.7 in]

** WIRE LEADS PROVIDED ARE DEPENDANT ON THE FUNCTION SELECTED **



W = WIRED LEADS 500mm

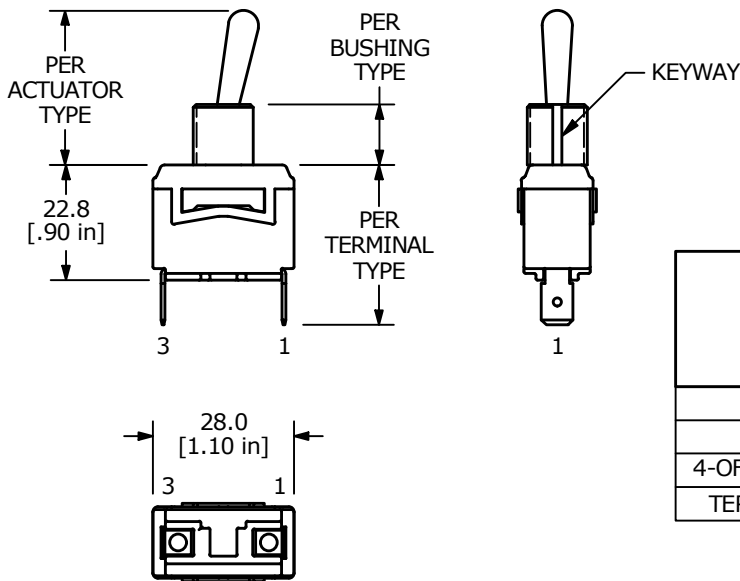
- ANTI-VANDAL SWITCHES
- DETECTOR SWITCHES
- DIP SWITCHES
- KEYLOCK SWITCHES
- NAVIGATION SWITCHES
- PUSHBUTTON SWITCHES
- ROCKER SWITCHES
- ROTARY SWITCHES
- SLIDE SWITCHES
- SNAP ACTION SWITCHES
- TACTILE SWITCHES
- TOGGLE SWITCHES**
- CAP OPTIONS






ST1 SERIES TOGGLE SWITCH

FUNCTION OPTIONS

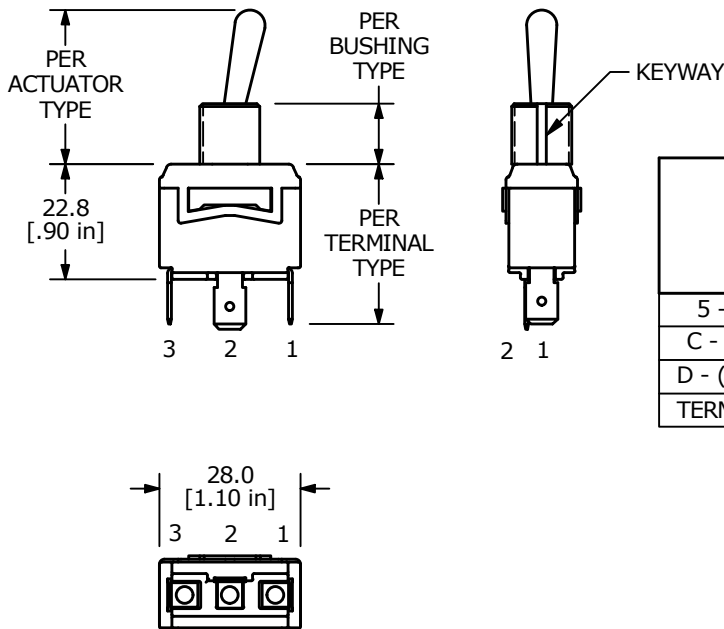
FUNCTIONS: 1, 3, & 4






FUNCTION	POS. 1 	POS. 2 	POS. 3 
1 - OFF - ON	OFF	N/A	ON
3 - ON - ON	ON	NA	ON
4-OFF-(ON)MIDDLE-END	(ON)	OFF	N/A
TERMINAL CLOSURES	1-3	N/A	1-3

() = DENOTES MOMENTARY

FUNCTIONS: 5, C, & D



FUNCTION	POS. 1 	POS. 2 	POS. 3 
5 - ON - OFF - ON	ON	OFF	ON
C - ON - OFF - (ON)	ON	OFF	(ON)
D - (ON) - OFF - (ON)	(ON)	OFF	(ON)
TERMINAL CLOSURES	2-3	N/A	1-2

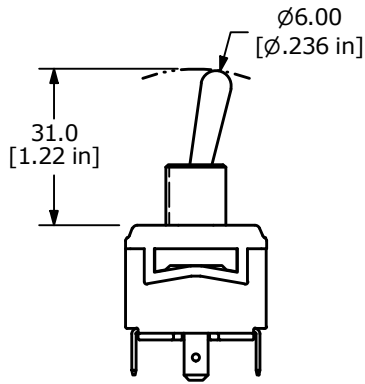
() = DENOTES MOMENTARY



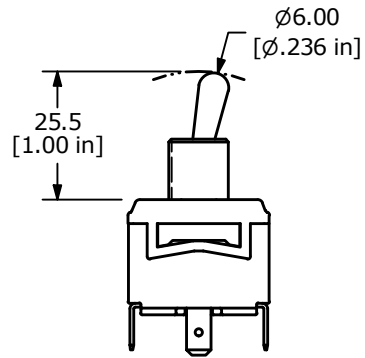
ANTI-VANDAL SWITCHES
DETECTOR SWITCHES
DIP SWITCHES
KEYLOCK SWITCHES
NAVIGATION SWITCHES
PUSHBUTTON SWITCHES
ROCKER SWITCHES
ROTARY SWITCHES
SLIDE SWITCHES
SNAP ACTION SWITCHES
TACTILE SWITCHES
TOGGLE SWITCHES
CAP OPTIONS

ST1 SERIES TOGGLE SWITCH

ACTUATOR OPTIONS

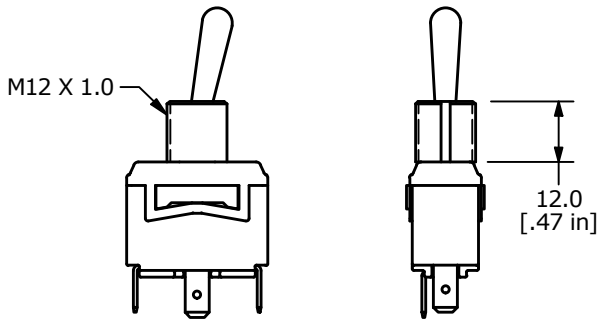


0 = STANDARD BAT

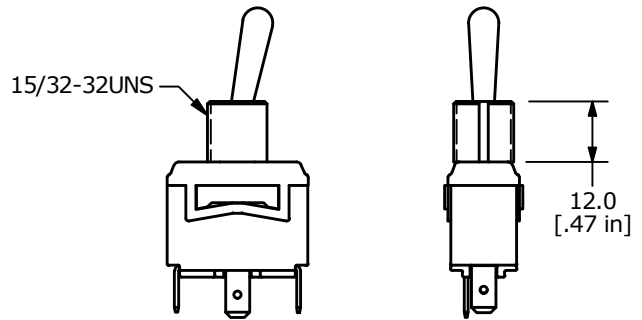


1 = SHORT BAT

BUSHING OPTIONS

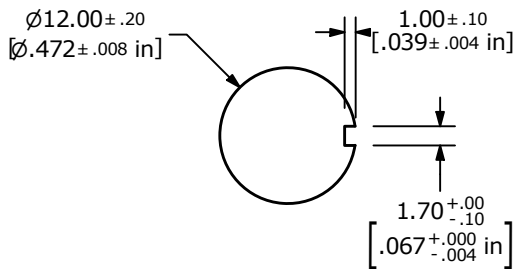


0 = M12 X 1.0

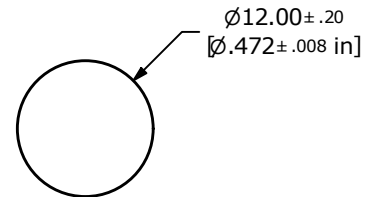


2 = 15/32"-32UNS

PANEL CUTOUT OPTIONS



RECOMMENDED PANEL CUTOUT



ALTERNATE PANEL CUTOUT



X-ON Electronics

Largest Supplier of Electrical and Electronic Components

Click to view similar products for [Toggle Switches](#) category:

Click to view products by [E-Switch](#) manufacturer:

Other Similar products are found below :

[8928K478](#) [020017-13](#) [60012L](#) [6006L](#) [CS115W](#) [CS120W](#) [637H/25](#) [6663](#) [7101SPDV30BE](#) [7103SDV30BE](#) [7105D](#) [7108P3YAV2BE](#)
[71YY50282](#) [7300K36](#) [7301K38](#) [7306K36](#) [7310K36](#) [7506K4](#) [7592K6](#) [7660K12](#) [7691K14](#) [7700K1](#) [8396K108](#) [8824K14](#) [8828K13](#) [8835K3](#)
[8858K44](#) [PS83-121G](#) [1-1825192-0](#) [A201SCWZB04](#) [A207SYCB04](#) [A208J61ZQ0004](#) [A221T1TCQ](#) [A232M1YCQ](#) [A323S1CWZQ](#)
[A423S1CWZG-M8](#) [1201W](#) [12156AX408](#) [12147AGKX679](#) [12246X778](#) [12TW49-3D](#) [130312](#) [13037L](#) [13001X](#) [AE101MD1W4B04](#)
[AE208SD1W4B04](#) [MS24659-22D](#) [MS27407-5](#) [1520230-9](#) [1520231-1](#)