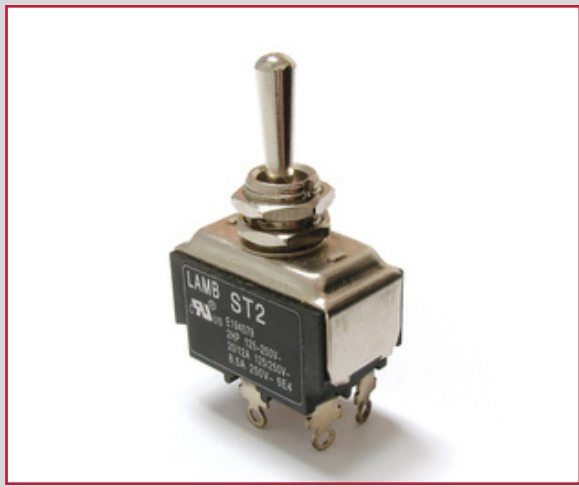


# ST2 SERIES TOGGLE SWITCH

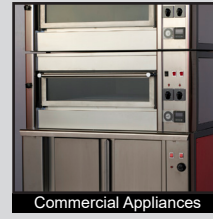
ANTI-VANDAL SWITCHES  
 DETECTOR SWITCHES  
 DIP SWITCHES  
 KEYLOCK SWITCHES  
 NAVIGATION SWITCHES  
 PUSHBUTTON SWITCHES  
 ROCKER SWITCHES  
 ROTARY SWITCHES  
 SLIDE SWITCHES  
 SNAP ACTION SWITCHES  
 TACTILE SWITCHES  
**TOGGLE SWITCHES**  
 CAP OPTIONS



## APPLICATIONS / MARKETS



Floor Care Appliances



Commercial Appliances



Industrial Controls



Medical / Dental



HVAC



Vending Machines

# RoHS

## SPECIFICATIONS

**Rating:** Maintained Switches: 20A 125VAC [cULus]  
 15A 277VAC [cULus]  
 2.0HP 125-277VAC [cULus]  
 Momentary Switches: 20A 125VAC [cULus]  
 15A 277VAC [cULus]  
 1.5HP 125-277VAC [cULus]

**Electrical Life:** 6,000 cycles  
**Contact Resistance:** 50mΩ Max.  
**Insulation Resistance:** 2MΩ Min. at 500VDC for 1 Minute  
**Dielectric Strength:** 1,000VAC for 1 Minute  
**Operating Temperature:** 0°C to 85°C  
**Storage Temperature:** -20°C to 85°C

## FEATURES & BENEFITS

- Heavy duty rating with UL approvals
- Many functions available
- Tab, screw, and solder terminal options
- Soldered wire leads (500mm long) optional

## PART NUMBER CONFIGURATOR

### Series



ST2 - 2 Pole

### Terminal



1 - 4.8mm Tabs  
 2 - Solder  
 4 - 6.3mm Tabs  
 6 - Screw  
 W - Wire Leads  
 500mm long

### Function



2 - 2 Pole Off - On  
 G - 2 Pole On - On  
 E - 2 Pole Off - (On)  
 6 - 2 Pole  
 On - Off - On  
 J - 2 Pole  
 On - Off - (On)  
 K - 2 Pole  
 (On) - Off - (On)

### Rating



D - 20A 125VAC

### Actuator Type



0 - Standard Bat

### Bushing Type



0 - M12 x 1.0  
 2 - 15/32" - 32UNS

### NOTES:

( ) = Denotes function is momentary

Specifications subject to change without notice 3.8.2021



**E-SWITCH®**

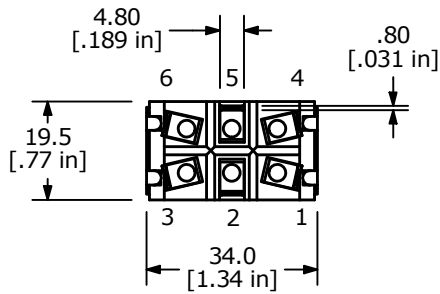
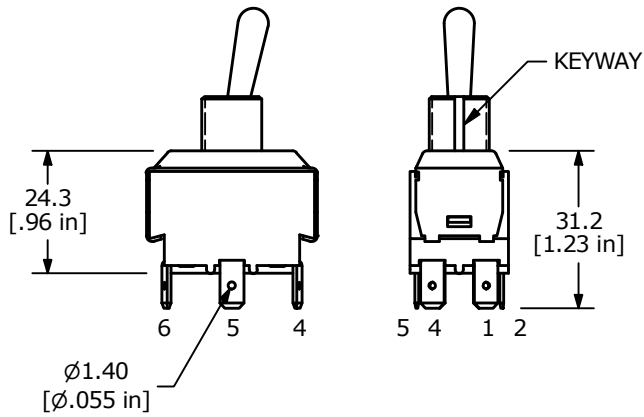
www.e-switch.com

800.867.2717

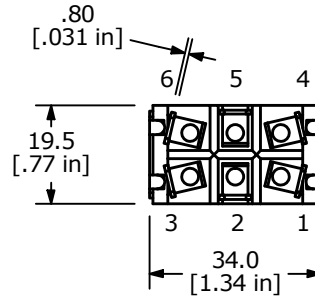
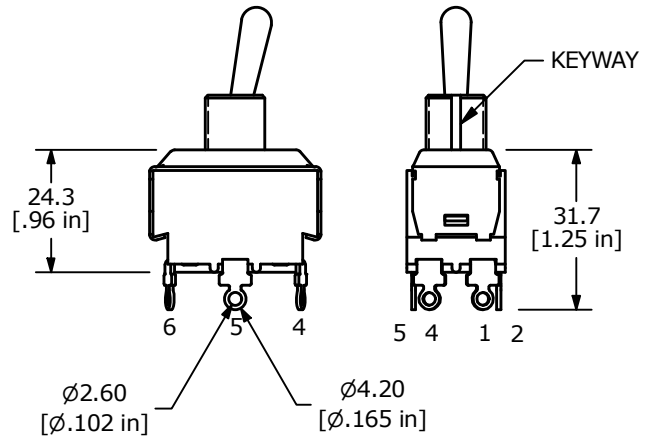
1

# ST2 SERIES TOGGLE SWITCH

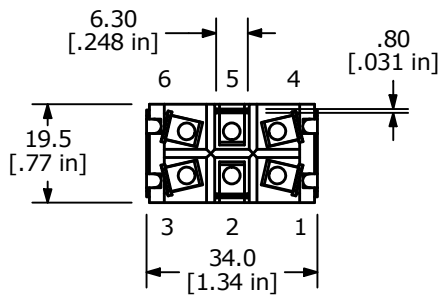
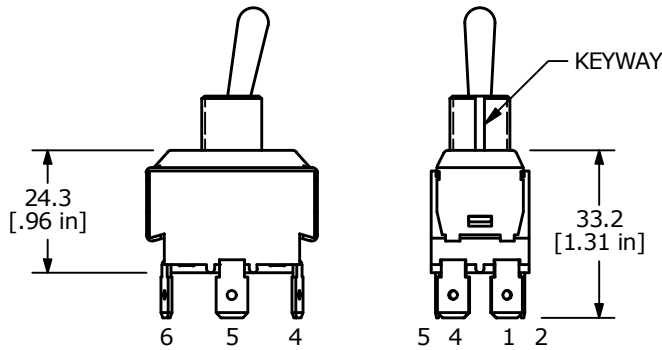
## TERMINAL OPTIONS



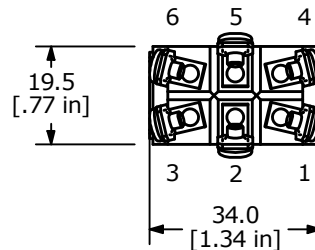
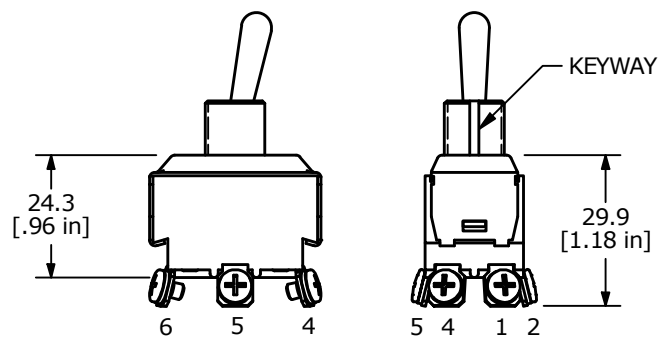
1 = 4.8mm TABS



2 = SOLDER



4 = 6.3mm TABS



6 = SCREW



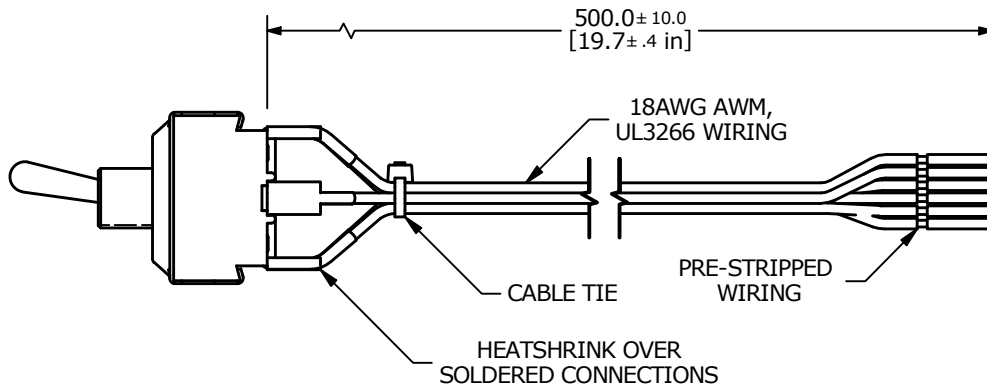
ANTI-VANDAL SWITCHES  
 DETECTOR SWITCHES  
 DIP SWITCHES  
 KEYLOCK SWITCHES  
 NAVIGATION SWITCHES  
 PUSHBUTTON SWITCHES  
 ROCKER SWITCHES  
 ROTARY SWITCHES  
 SLIDE SWITCHES  
 SNAP ACTION SWITCHES  
 TACTILE SWITCHES  
 TOGGLE SWITCHES  
 CAP OPTIONS

# ST2 SERIES TOGGLE SWITCH

## TERMINAL OPTIONS (CONTINUED)

SWITCH	WIRE	LENGTH
SW1-1	WIRE, 18AWG AWM UL3266, GREEN	500.0 [19.7 in]
SW1-2	WIRE, 18AWG AWM UL3266, PINK	500.0 [19.7 in]
SW1-3	WIRE, 18AWG AWM UL3266, YELLOW	500.0 [19.7 in]
SW1-4	WIRE, 18AWG AWM UL3266, BLUE	500.0 [19.7 in]
SW1-5	WIRE, 18AWG AWM UL3266, WHITE	500.0 [19.7 in]
SW1-6	WIRE, 18AWG AWM UL3266, ORANGE	500.0 [19.7 in]

\*\* WIRE LEADS PROVIDED ARE DEPENDANT ON THE FUNCTION SELECTED \*\*

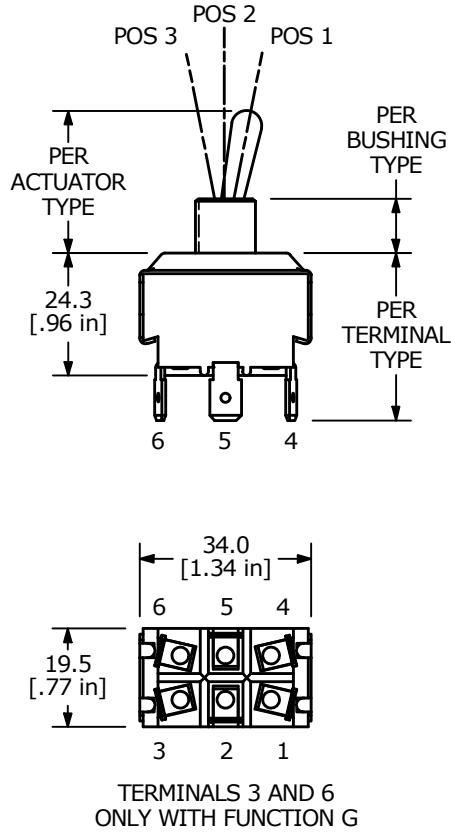


W = WIRED LEADS 500mm

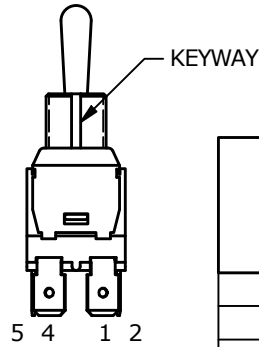


# ST2 SERIES TOGGLE SWITCH

## FUNCTION OPTIONS



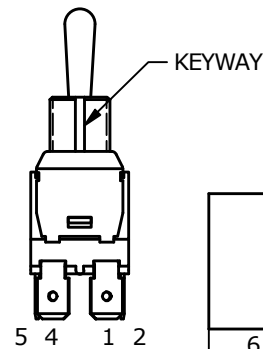
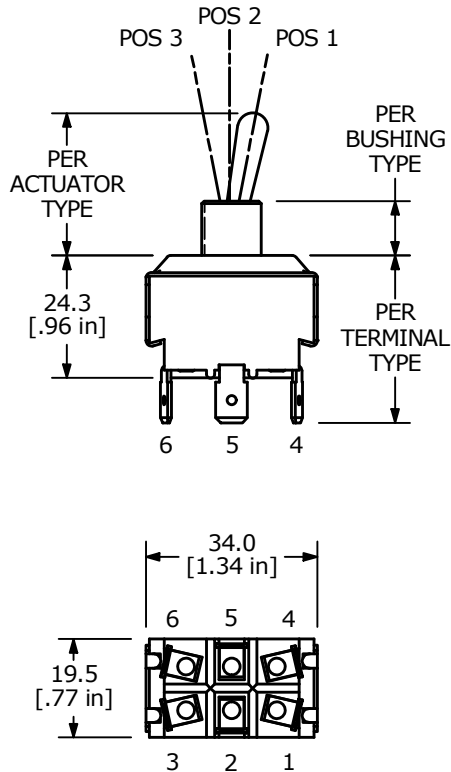
### FUNCTIONS: 2, G, & E



FUNCTION	POS. 1	POS. 2	POS. 3
2 - OFF - ON	OFF	N/A	ON
G - ON - ON	ON	N/A	ON
E - OFF - (ON)	(ON)	N/A	N/A
TERMINAL CLOSURES	2 & E = 1-2, 4-5 G = 2-3, 5-6	N/A	1-2, 4-5

( ) = DENOTES MOMENTARY

### FUNCTIONS: 6, J, & K



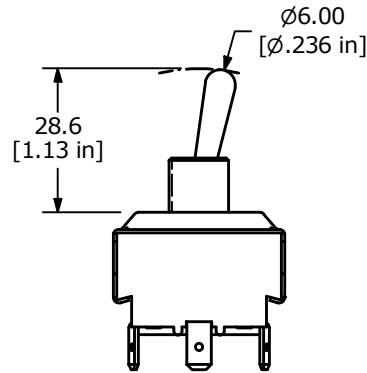
FUNCTION	POS. 1	POS. 2	POS. 3
6 - ON - OFF - ON	ON	OFF	ON
J - ON - OFF - (ON)	ON	OFF	(ON)
K - (ON) - OFF - (ON)	(ON)	OFF	(ON)
TERMINAL CLOSURES	2-3, 5-6	OPEN	1-2, 4-5

( ) = DENOTES MOMENTARY



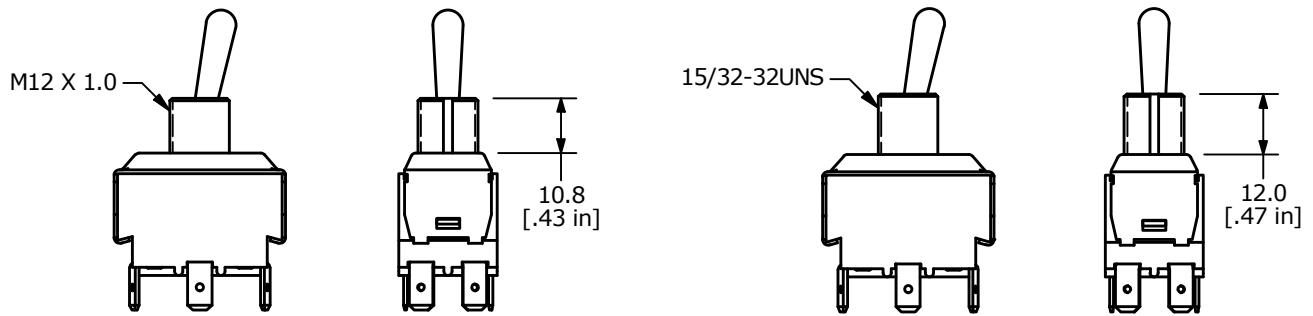
# ST2 SERIES TOGGLE SWITCH

## ACTUATOR OPTIONS



0 = STANDARD BAT

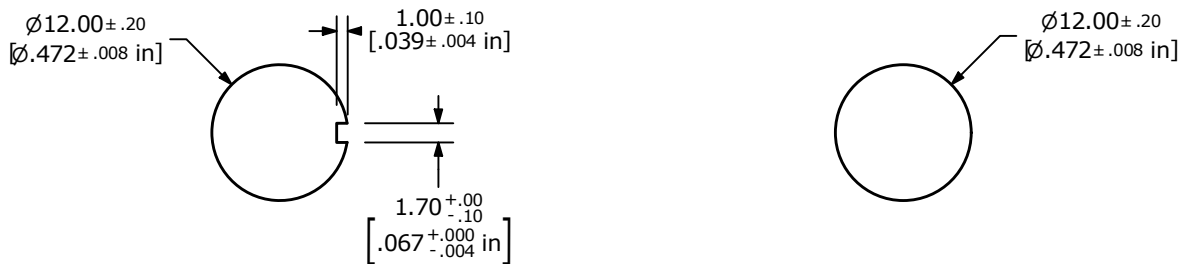
## BUSHING OPTIONS



0 = M12 X 1.0

2 = 15/32"-32UNS

## PANEL CUTOUT OPTIONS



RECOMMENDED PANEL CUTOUT

ALTERNATE PANEL CUTOUT



## X-ON Electronics

Largest Supplier of Electrical and Electronic Components

*Click to view similar products for [Toggle Switches](#) category:*

*Click to view products by [E-Switch](#) manufacturer:*

Other Similar products are found below :

[8928K478](#) [020017-13](#) [60012L](#) [6006L](#) [CS115W](#) [CS120W](#) [637H/25](#) [6663](#) [7101SPDV30BE](#) [7103SDV30BE](#) [7105D](#) [7108P3YAV2BE](#)  
[71YY50282](#) [7300K36](#) [7301K38](#) [7306K36](#) [7310K36](#) [7506K4](#) [7592K6](#) [7660K12](#) [7691K14](#) [7700K1](#) [8396K108](#) [8824K14](#) [8828K13](#) [8835K3](#)  
[8858K44](#) [PS83-121G](#) [1-1825192-0](#) [A201SCWZB04](#) [A207SYCB04](#) [A208J61ZQ0004](#) [A221T1TCQ](#) [A232M1YCQ](#) [A323S1CWZQ](#)  
[A423S1CWZG-M8](#) [1201W](#) [12156AX408](#) [12147AGKX679](#) [12246X778](#) [12TW49-3D](#) [130312](#) [13037L](#) [13001X](#) [AE101MD1W4B04](#)  
[AE208SD1W4B04](#) [MS24659-22D](#) [MS27407-5](#) [1520230-9](#) [1520231-1](#)