

ST3 SERIES TOGGLE SWITCH

- ANTI-VANDAL SWITCHES
- DETECTOR SWITCHES
- DIP SWITCHES
- KEYLOCK SWITCHES
- NAVIGATION SWITCHES
- PUSHBUTTON SWITCHES
- ROCKER SWITCHES
- ROTARY SWITCHES
- SLIDE SWITCHES
- SNAP ACTION SWITCHES
- TACTILE SWITCHES
- TOGGLE SWITCHES**
- CAP OPTIONS



APPLICATIONS / MARKETS



Floor Care Appliances



Commercial Appliances



Industrial Controls



Medical / Dental



HVAC



Vending Machines

RoHS

SPECIFICATIONS

Rating: 24A 125VAC [cULus]
 15A 277VAC [cULus]
 2.0HP 125-277VAC [cULus]

Electrical Life: 6,000 cycles
Contact Resistance: 50mΩ Max.
Insulation Resistance: 2MΩ Min. at 500VDC for 1 Minute
Dielectric Strength: 1,000VAC for 1 Minute
Operating Temperature: 0°C to 85°C
Storage Temperature: -20°C to 85°C

FEATURES & BENEFITS

- Heavy duty rating with UL approvals
- Many functions available
- Tab, screw, and solder terminal options
- Soldered wire leads (500mm long) optional

PART NUMBER CONFIGURATOR

<p>Series</p> <div style="display: flex; gap: 5px;"> <input type="text" value="ST3"/> <input type="text" value="-"/> <input type="text" value="3"/> </div> <p>ST3 - 3 Pole</p>	<p>Terminal</p> <input type="text" value="1"/> <p>1 - 4.8mm Tabs 2 - Solder 4 - 6.3mm Tabs 6 - Screw W - Wire Leads 500mm long</p>	<p>Function</p> <input type="text" value="R"/> <p>R - 3 Pole Off - On S - 3 Pole On - On T - 3 Pole On - Off - On</p>	<p>Rating</p> <input type="text" value="E"/> <p>E - 24A 125VAC</p>	<p>Actuator Type</p> <input type="text" value="0"/> <p>0 - Standard Bat</p>	<p>Bushing Type</p> <input type="text" value="0"/> <p>0 - M12 x 1.0</p>
---	--	--	---	--	--

Specifications subject to change without notice 3.8.2021



E-SWITCH®

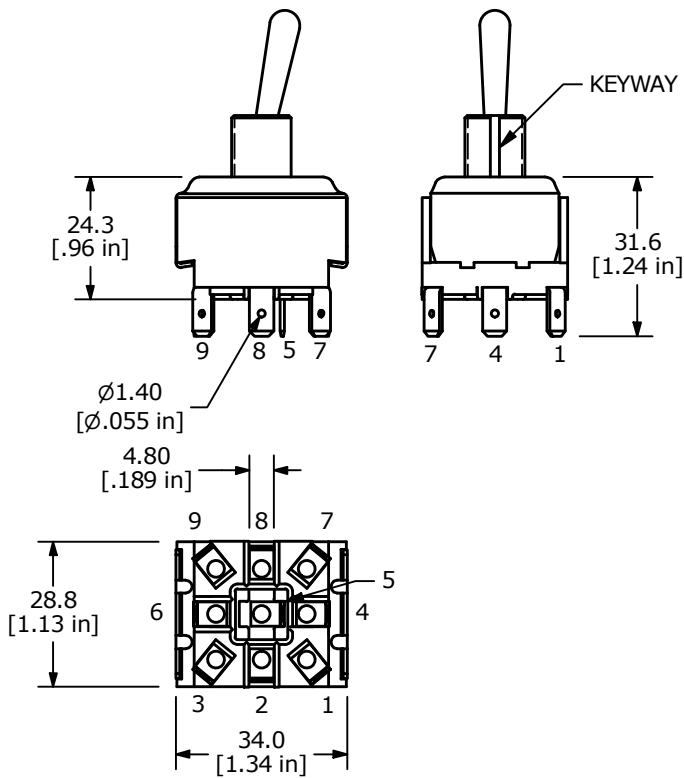
www.e-switch.com

800.867.2717

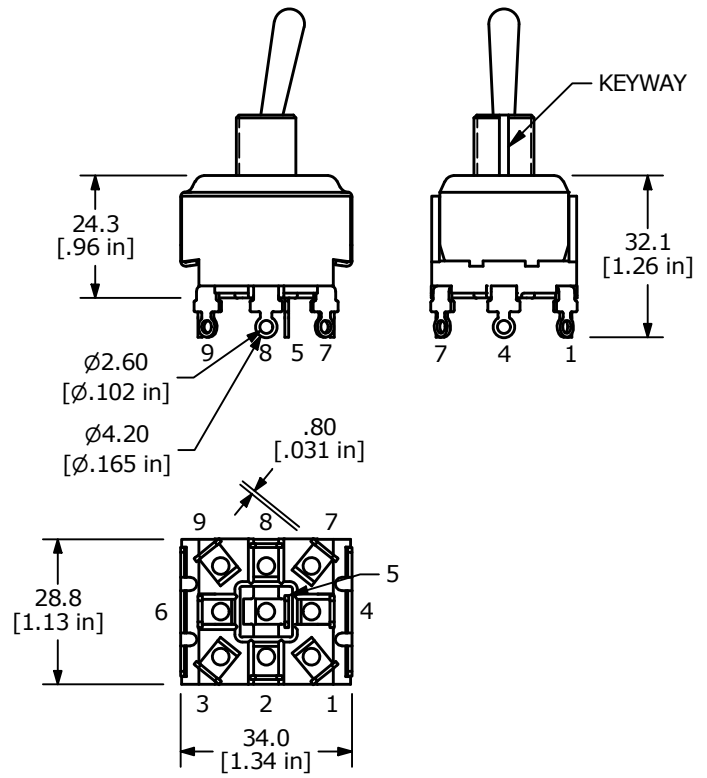
1

ST3 SERIES TOGGLE SWITCH

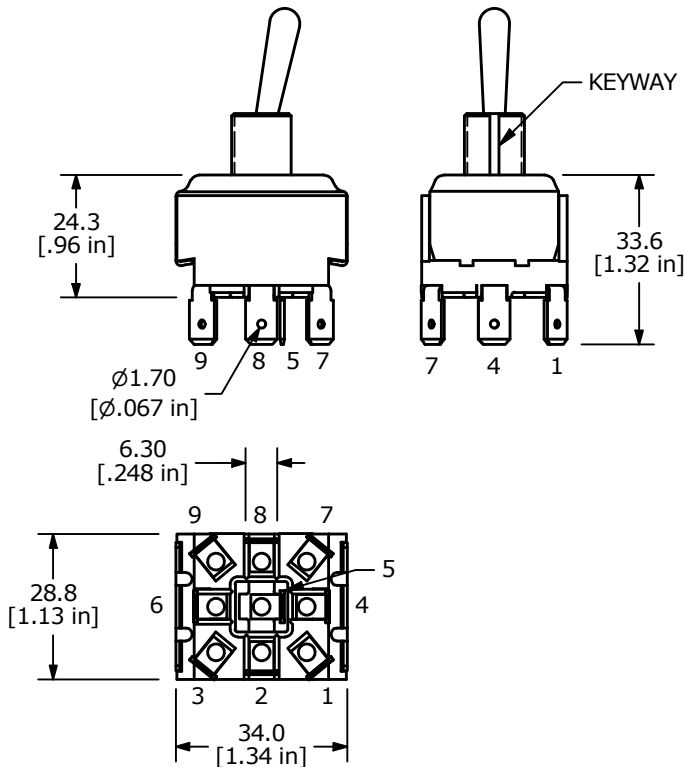
TERMINAL OPTIONS



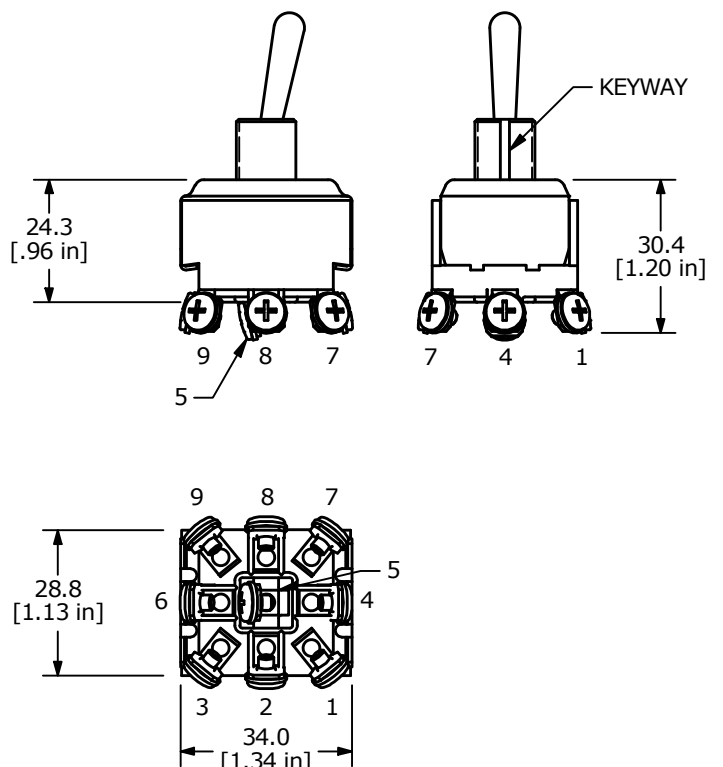
1 = 4.8mm TABS



2 = SOLDER



4 = 6.3mm TABS



6 = SCREW



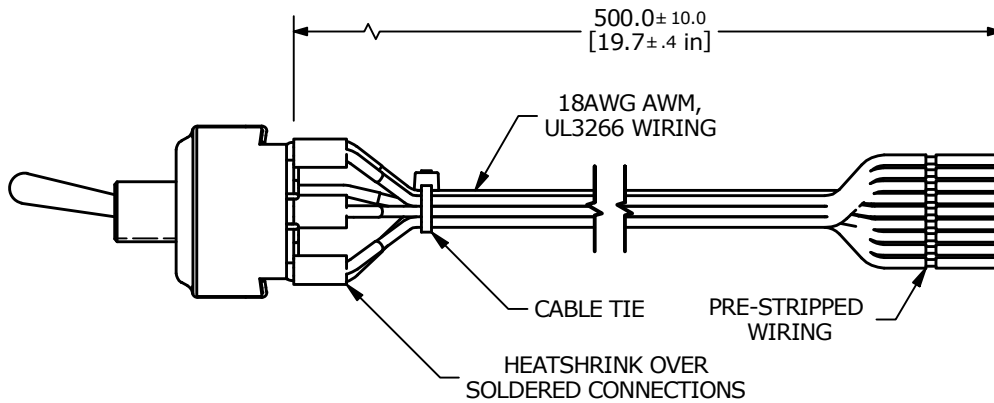
- ANTI-VANDAL SWITCHES
- DETECTOR SWITCHES
- DIP SWITCHES
- KEYLOCK SWITCHES
- NAVIGATION SWITCHES
- PUSHBUTTON SWITCHES
- ROCKER SWITCHES
- ROTARY SWITCHES
- SLIDE SWITCHES
- SNAP ACTION SWITCHES
- TACTILE SWITCHES
- TOGGLE SWITCHES**
- CAP OPTIONS

ST3 SERIES TOGGLE SWITCH

TERMINAL OPTIONS (CONTINUED)

SWITCH	WIRE	LENGTH
SW1-1	WIRE, 18AWG AWM UL3266, GREEN	500.0 [19.7 in]
SW1-2	WIRE, 18AWG AWM UL3266, PINK	500.0 [19.7 in]
SW1-3	WIRE, 18AWG AWM UL3266, YELLOW	500.0 [19.7 in]
SW1-4	WIRE, 18AWG AWM UL3266, RED	500.0 [19.7 in]
SW1-5	WIRE, 18AWG AWM UL3266, WHITE	500.0 [19.7 in]
SW1-6	WIRE, 18AWG AWM UL3266, BLUE	500.0 [19.7 in]
SW1-7	WIRE, 18AWG AWM UL3266, BLACK	500.0 [19.7 in]
SW1-8	WIRE, 18AWG AWM UL3266, ORANGE	500.0 [19.7 in]
SW1-9	WIRE, 18AWG AWM UL3266, BROWN	500.0 [19.7 in]

** WIRE LEADS PROVIDED ARE DEPENDANT ON THE FUNCTION SELECTED **

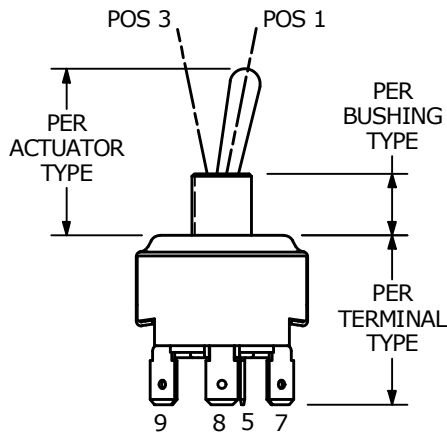


W = WIRED LEADS 500mm

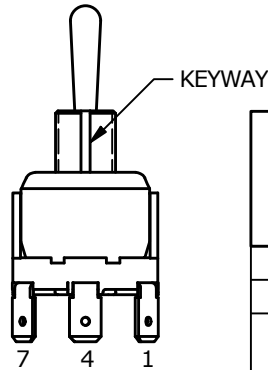


ST3 SERIES TOGGLE SWITCH

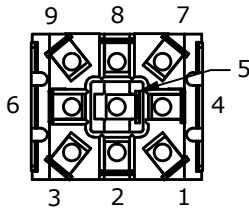
FUNCTION OPTIONS



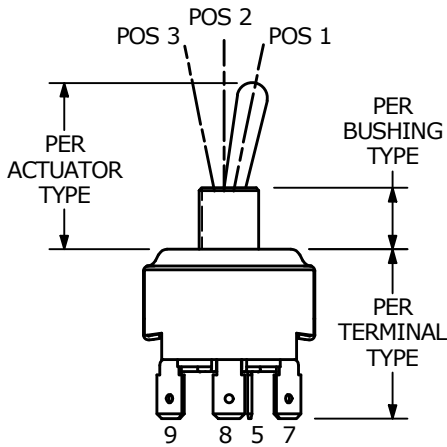
FUNCTIONS: R & S



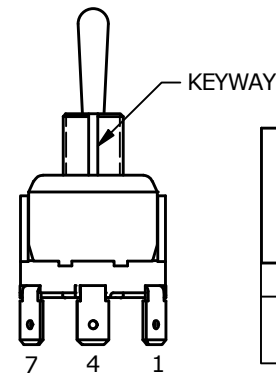
FUNCTION	POS. 1	POS. 2	POS. 3
R - OFF - ON	OFF	N/A	ON
S - ON - ON	ON	N/A	ON
TERMINAL CLOSURES	R= 1-2, 4-5 S= 2-3, 5-6, 8-9	N/A	R= 1-2, 4-5 S= 1-2, 4-5, 7-8



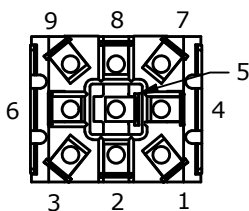
TERMINALS 3, 6 AND 9 ONLY WITH FUNCTION S



FUNCTION: T

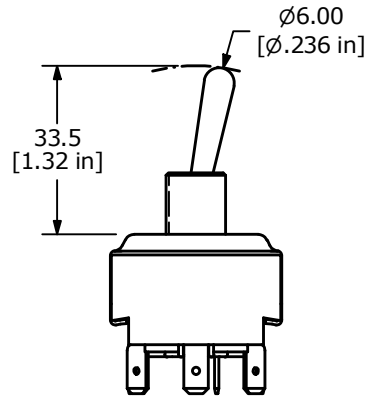


FUNCTION	POS. 1	POS. 2	POS. 3
T - ON - OFF - ON	ON	OFF	ON
TERMINAL CLOSURES	2-3, 5-6, 8-9	OPEN	1-2, 4-5, 7-8



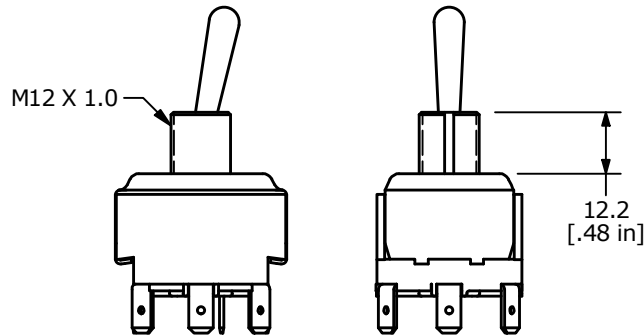
ST3 SERIES TOGGLE SWITCH

ACTUATOR OPTIONS



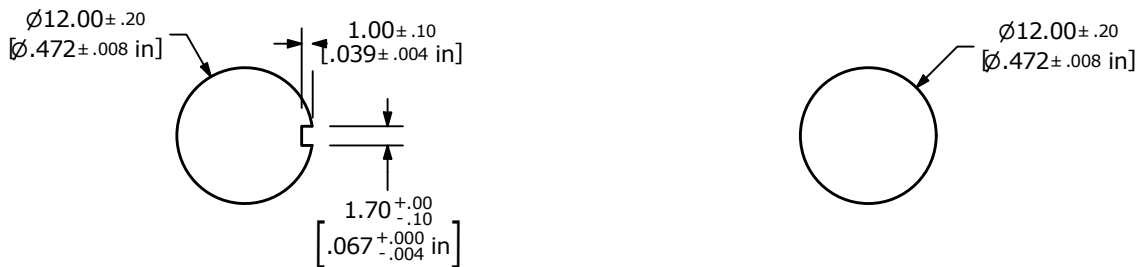
0 = STANDARD BAT

BUSHING OPTIONS



0 = M12 X 1.0

PANEL CUTOUT OPTIONS



RECOMMENDED PANEL CUTOUT

ALTERNATE PANEL CUTOUT



X-ON Electronics

Largest Supplier of Electrical and Electronic Components

Click to view similar products for [Toggle Switches](#) category:

Click to view products by [E-Switch](#) manufacturer:

Other Similar products are found below :

[8928K478](#) [020017-13](#) [60012L](#) [6006L](#) [CS115W](#) [CS120W](#) [637H/25](#) [6663](#) [7101SPDV30BE](#) [7103SDV30BE](#) [7105D](#) [7108P3YAV2BE](#)
[71YY50282](#) [7300K36](#) [7301K38](#) [7306K36](#) [7310K36](#) [7506K4](#) [7592K6](#) [7660K12](#) [7691K14](#) [7700K1](#) [8396K108](#) [8824K14](#) [8828K13](#) [8835K3](#)
[8858K44](#) [PS83-121G](#) [1-1825192-0](#) [A201SCWZB04](#) [A207SYCB04](#) [A208J61ZQ0004](#) [A221T1TCQ](#) [A232M1YCQ](#) [A323S1CWZQ](#)
[A423S1CWZG-M8](#) [1201W](#) [12156AX408](#) [12147AGKX679](#) [12246X778](#) [12TW49-3D](#) [130312](#) [13037L](#) [13001X](#) [AE101MD1W4B04](#)
[AE208SD1W4B04](#) [MS24659-22D](#) [MS27407-5](#) [1520230-9](#) [1520231-1](#)