

# SERIES TD SWITCHES

## DETECTOR SWITCHES

TACT SWITCHES

NAVIGATION SWITCHES

PUSHBUTTON SWITCHES

TOGGLE SWITCHES

ROCKER SWITCHES

SLIDE SWITCHES

SNAP-ACTION SWITCHES

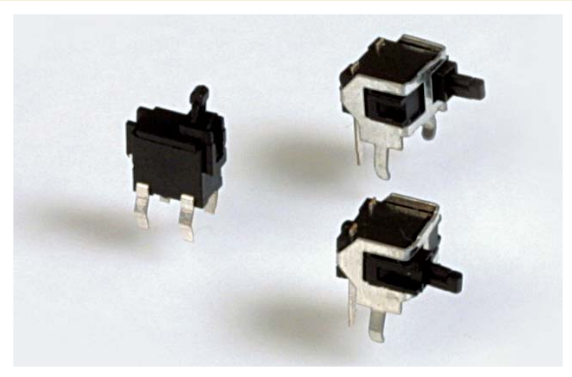
DIP SWITCHES

KEYLOCK SWITCHES

ROTARY SWITCHES

DETECTOR SWITCHES

CAP OPTIONS



### SPECIFICATIONS

Ratings:	As per individual model number
Life Expectancy:	As per individual model number
Contact Resistance:	As per individual model number
Insulation Resistance:	100 MΩ min.
Dielectric Strength:	1,000 V rms @ sea level
Actuation Force:	As per individual model number
Operating Force:	As per individual model number
Operating Temperature:	-20°C to +85°C

### FEATURES & BENEFITS

- ▶ Long travel
- ▶ Smooth operation

### APPLICATIONS/MARKETS

- ▶ Consumer Electronics
- ▶ Computer / Peripherals



### HOW TO ORDER

SERIES	MODEL NO.
TD	□ □ □ □ □
	1104
	1105 A = Actuator Right
	1105 B = Actuator Left

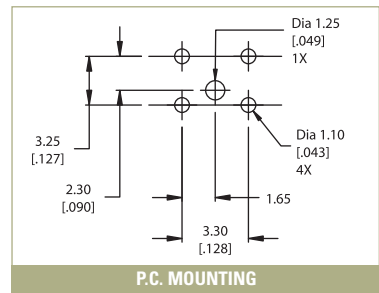
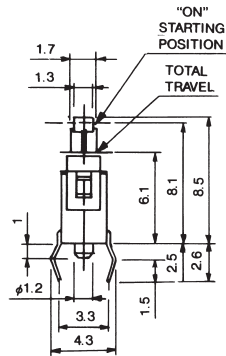
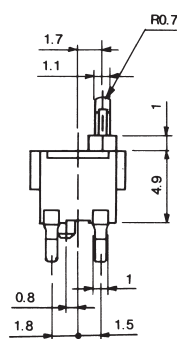


Example Ordering Number  
TD-1105A

Specifications subject to change without notice.

## TD

### 1104

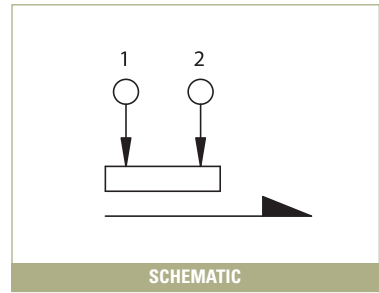


### SPECIFICATIONS

Ratings:	100mA @ 30 VDC
Electrical Life:	50,000 cycles typical
Contact Resistance:	1 Ω max.
Operating Force:	36 gf max.

### MATERIALS

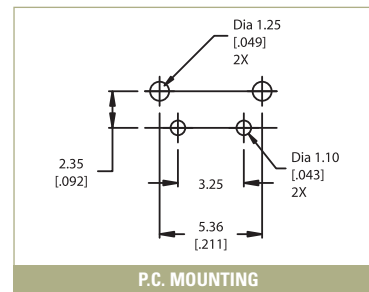
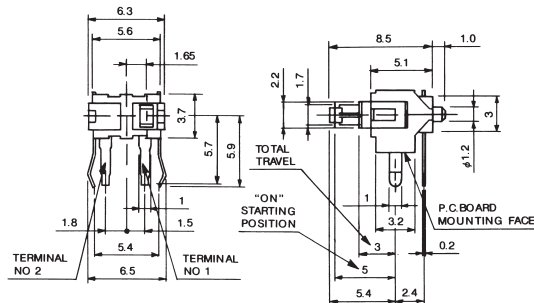
Housing:	4/6 Nylon
Cover:	6/6 Nylon
Actuator:	6/6 Nylon
Contacts:	Silver-plated phosphor bronze
Terminals:	Silver-plated brass



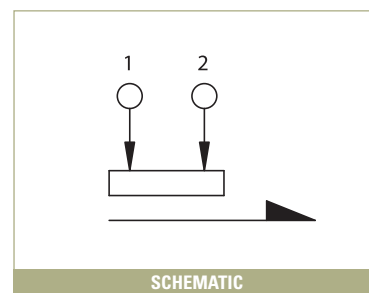


# TD

## 1105 A



P.C. MOUNTING



SCHEMATIC

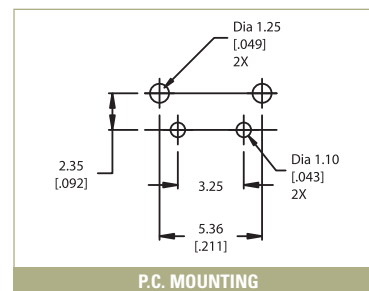
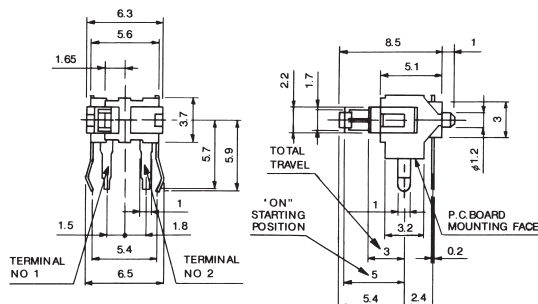
### SPECIFICATIONS

Ratings:	100mA @ 30 VDC
Life Expectancy:	50,000 cycles typical
Contact Resistance:	1 Ω max.
Operating Force:	36 gf max.

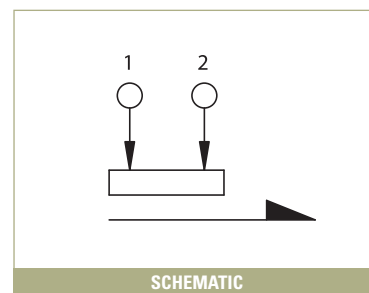
### MATERIALS

Housing:	4/6 Nylon
Cover:	6/6 Nylon
Actuator:	6/6 Nylon
Brackets:	Tin-plated steel
Contacts:	Silver-plated phosphor bronze
Terminals:	Silver-plated brass

## 1105 B



P.C. MOUNTING



SCHEMATIC

### SPECIFICATIONS

Ratings:	100mA @ 30 VDC
Life Expectancy:	50,000 cycles typical
Contact Resistance:	1 Ω max.
Operating Force:	36 gf max.

### MATERIALS

Housing:	4/6 Nylon
Cover:	6/6 Nylon
Actuator:	6/6 Nylon
Brackets:	Tin-plated steel
Contacts:	Silver-plated phosphor bronze
Terminals:	Silver-plated brass

TACT SWITCHES

NAVIGATION SWITCHES

PUSHBUTTON SWITCHES

TOGGLE SWITCHES

ROCKER SWITCHES

SLIDE SWITCHES

SNAP-ACTION SWITCHES

DIP SWITCHES

KEYLOCK SWITCHES

ROTARY SWITCHES

DETECTOR SWITCHES

CAP OPTIONS

## X-ON Electronics

Largest Supplier of Electrical and Electronic Components

*Click to view similar products for [Detector Switches](#) category:*

*Click to view products by [E-Switch](#) manufacturer:*

Other Similar products are found below :

[E3S-LS5C4S](#) [SPVQ850300](#) [21075-6](#) [SPVQ860100](#) [K2CU-F20A-F AC220](#) [D3DM0005H](#) [D3DM0001E](#) [D3DM0003A](#) [HARB0012](#) [PP2-7H1-2D2](#) [PP1-FB7-2D2](#) [PP2-7U1-2B2](#) [PP1-ET7-2B2](#) [MR1000AWA](#) [MR1000BWA](#) [ESE-24SH6](#) [ESE-31R11T](#) [ESE-23F101](#) [ESE-13V01D](#) [ESE-13V01C](#) [ESE-13V01A](#) [ESE-13H01B](#) [ESE-11MH1T](#) [ESE-11MH2T](#) [ESE-11MV1](#) [ESE-31L11T](#) [HDS001R](#) [SPVL110102](#) [ESE-13V01B](#) [ESE-23J101](#) [SPPW811200](#) [ESE-58R61B](#) [SPVQ361300](#) [ESE-58R11B](#) [SPVT210201](#) [SPVL120101](#) [ESE-24CMV9T](#) [DS080](#) [DS0900502RP](#) [T0-SCB22MP1NC1](#) [T0-SCB22MP1NSX](#) [ESE-13H01A](#) [ESE-13H01C](#) [ESE-13H01D](#) [SPVN210101](#) [SPPB110300](#) [SPPB120200](#) [SPPB1A0100](#) [SPPB1A0101](#) [SPPB2A0100](#)