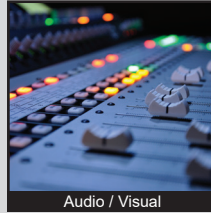


TL1017 SERIES TACT SWITCH

APPLICATIONS / MARKETS



Audio / Visual



Computer Peripherals



Consumer Electronics



Instrumentation



Medical Equipment



Telecommunication

RoHS

SPECIFICATIONS

Electrical Rating: 50mA, 12VDC
Contact Resistance: 100mΩ Max. (Initial)
Insulation Resistance: 100MΩ Min. at 500VDC
Dielectric Strength: 250VAC for 1 Minute
Life Cycles: 200,000 cycles for 160gf
 100,000 cycles for 260gf
Operating Temperature: -20°C to 70°C
Storage Temperature: -30°C to 80°C
Travel: 0.15mm ± 0.1mm
Operating Force: 160gf ± 50gf; 260gf ± 50gf
Function: SPST, Off-(On)
Packaging: Tape and Reel, 3,000 pcs/reel

FEATURES & BENEFITS

- Surface mount design
- Up to 200,000 cycle life expectancy
- Multiple actuation force options
- Mounting boss option
- Ground terminal option
- Tape and Reel packaging

PART NUMBER CONFIGURATOR

Series <input type="text" value="TL1017"/>	Actuator <input type="text" value="A - 1.5mm"/>	Bosses <input type="text" value="A - Without Bosses"/>	Ground Terminal <input type="text" value="A - Without Ground Terminal"/>	Actuation Force <input type="text" value="F160 - 160 gf - Black"/>	Contact Plating <input type="text" value="Q - Silver"/>	Termination <input type="text" value="G - Gull-wing"/>
TL1017	A - 1.5mm	A - Without Bosses B - With Bosses	A - Without Ground Terminal B - With Ground Terminal	F160 - 160 gf - Black F260 - 260 gf - Red	Q - Silver	G - Gull-wing

Specifications subject to change without notice 4.1.2023



E-SWITCH®

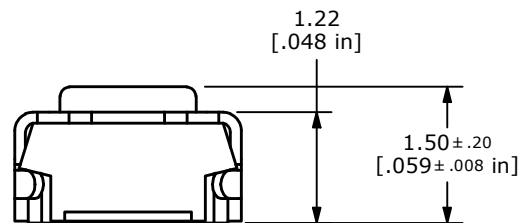
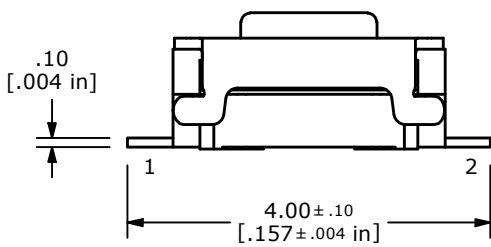
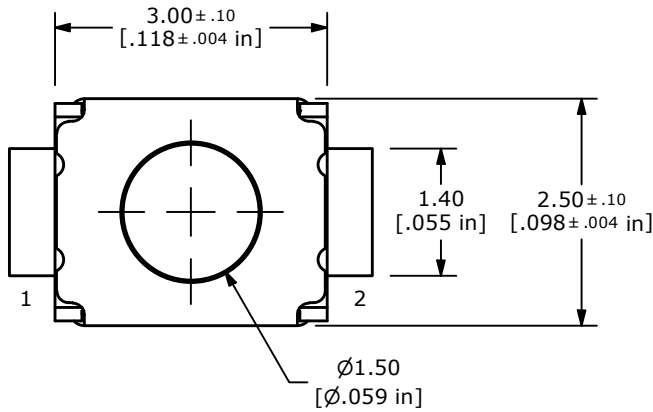
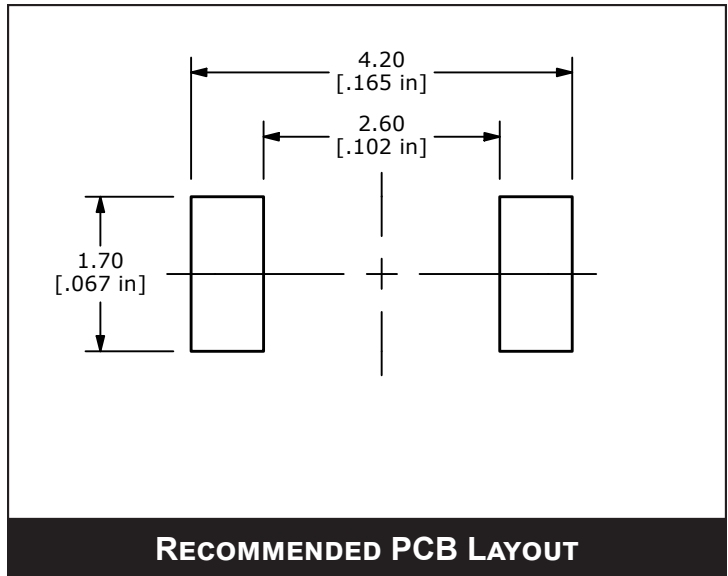
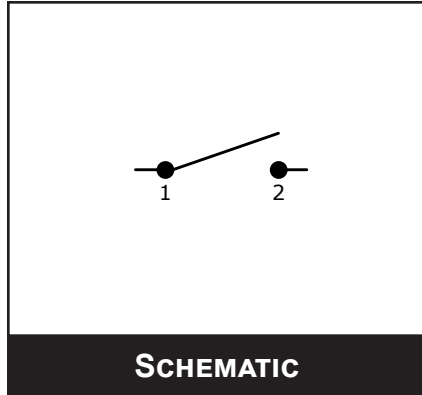
www.e-switch.com

800.867.2717

1

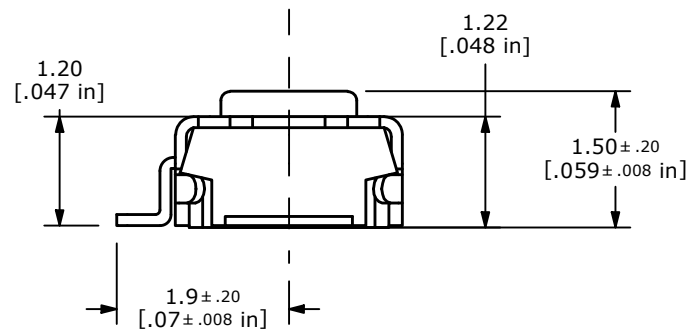
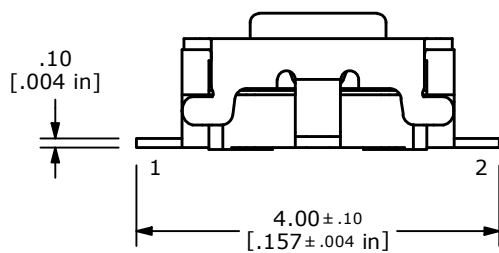
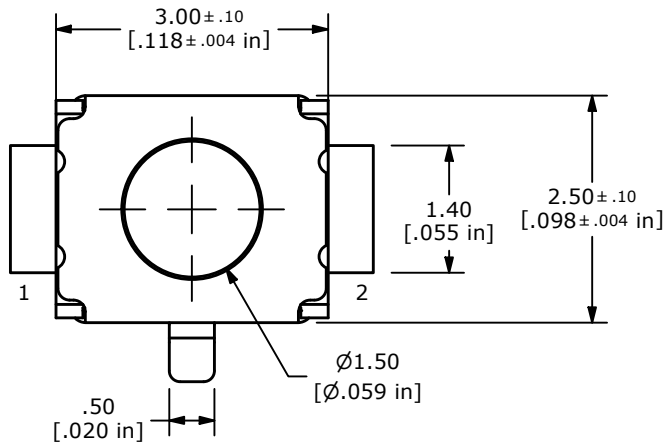
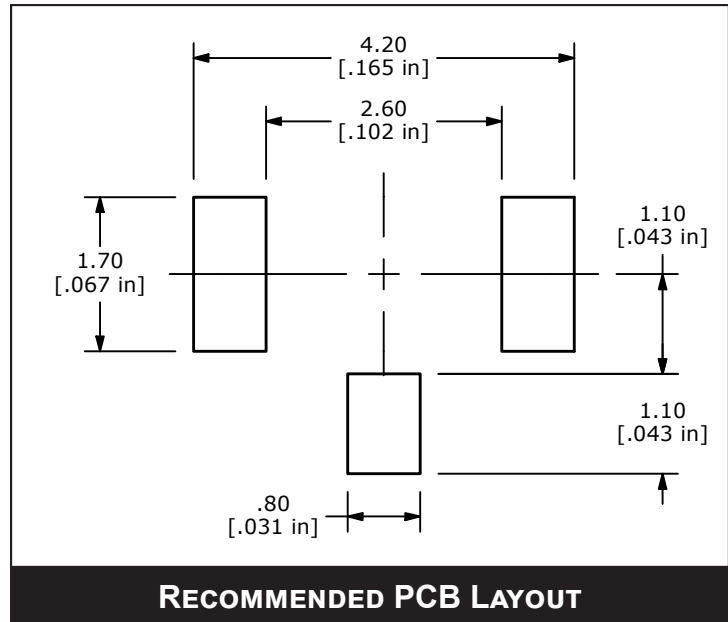
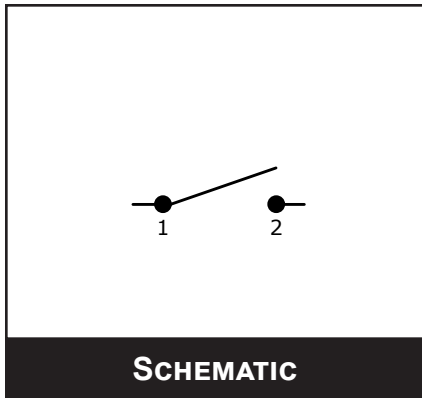
TL1017 SERIES TACT SWITCH

BODY DIMENSIONS WITHOUT BOSSES AND GROUND TERMINAL



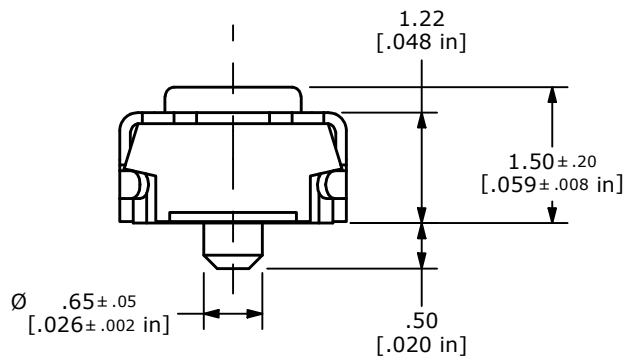
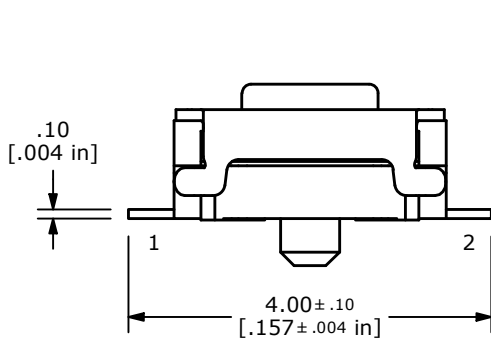
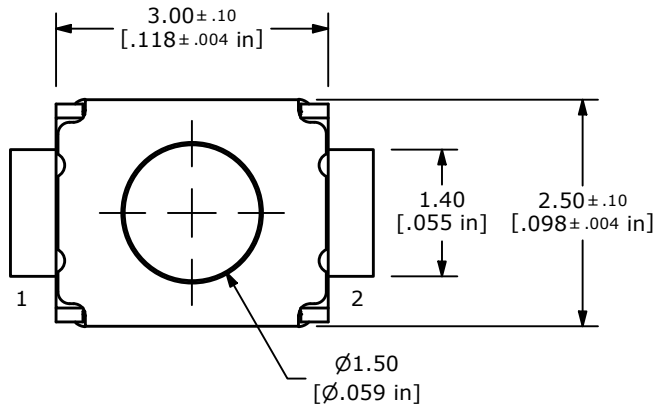
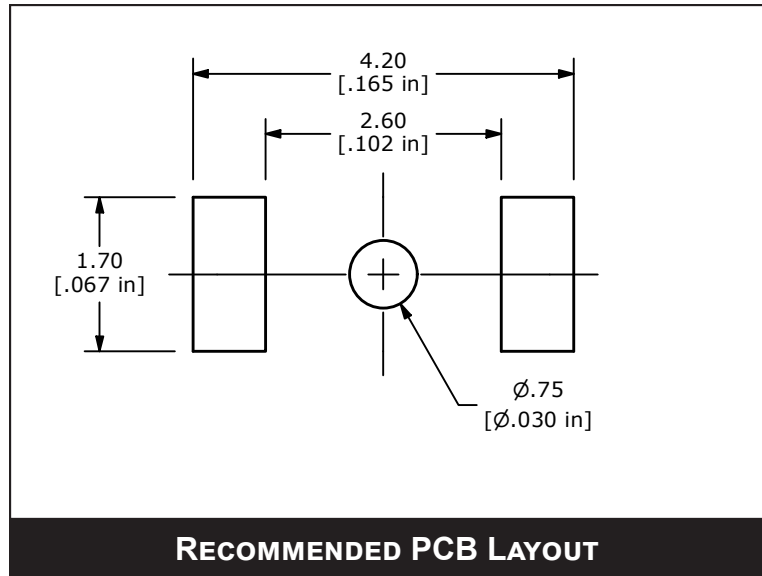
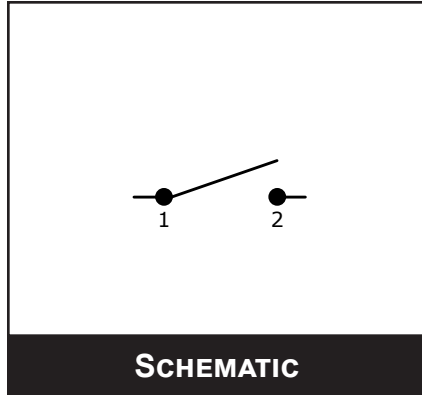
TL1017 SERIES TACT SWITCH

BODY DIMENSIONS WITHOUT BOSSES AND WITH GROUND TERMINAL



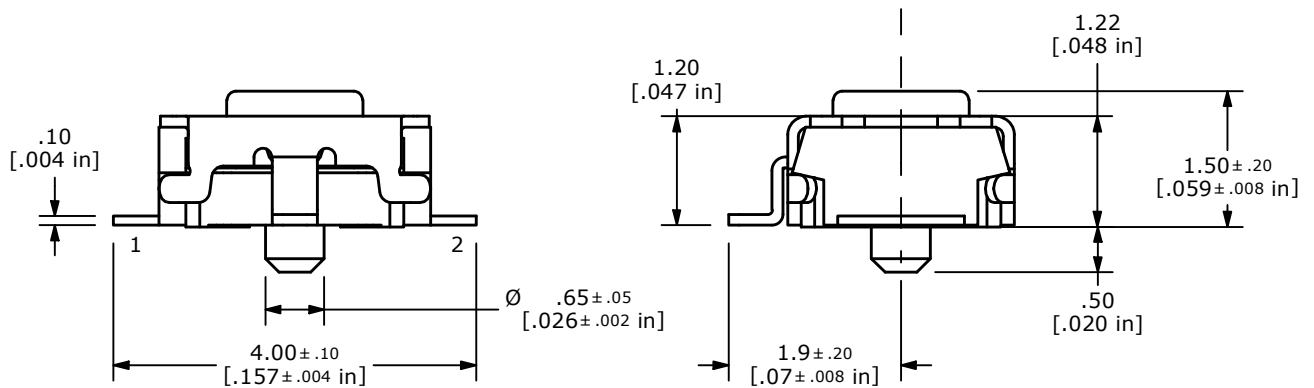
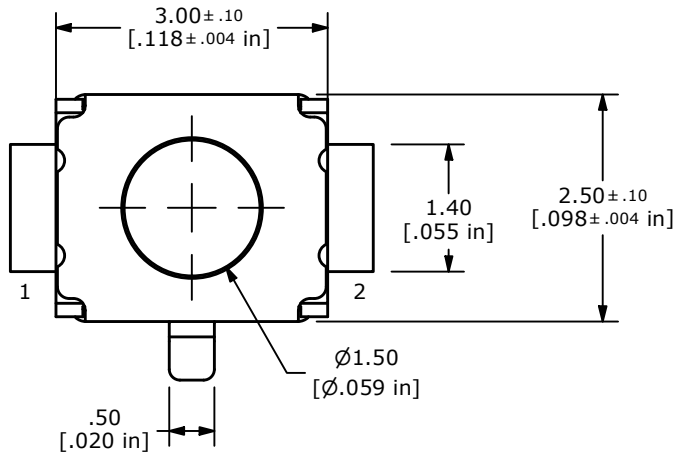
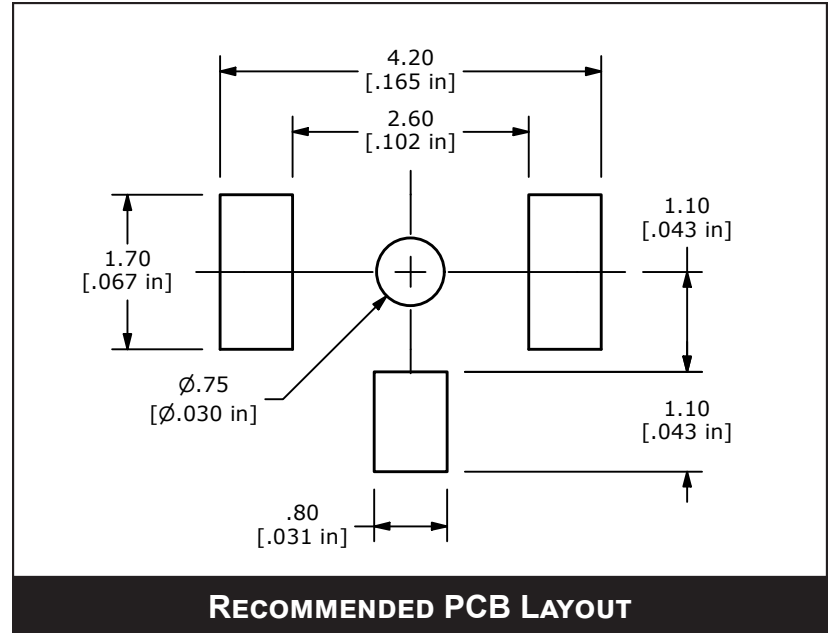
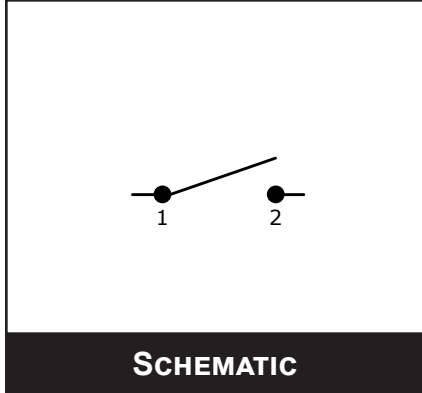
TL1017 SERIES TACT SWITCH

BODY DIMENSIONS WITH BOSSES AND WITHOUT GROUND TERMINAL



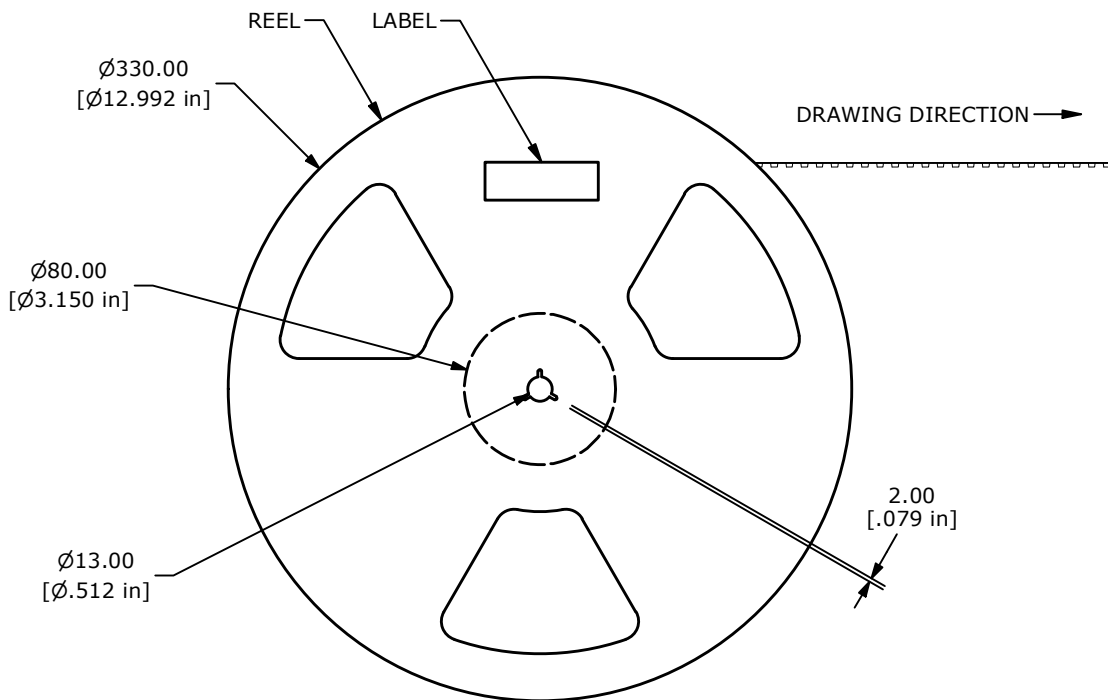
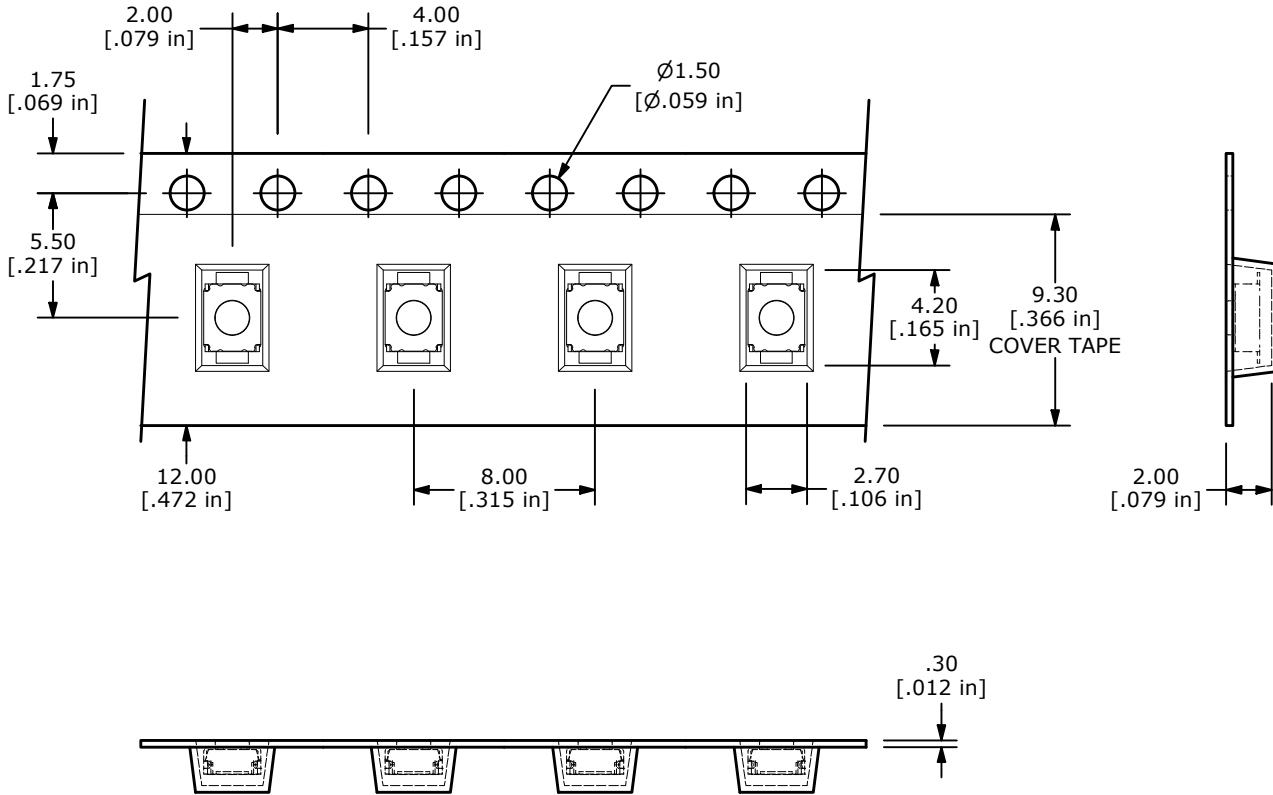
TL1017 SERIES TACT SWITCH

BODY DIMENSIONS WITH BOSSES AND GROUND TERMINAL



TL1017 SERIES TACT SWITCH

BODY DIMENSIONS TAPE AND REEL



TL1017 SERIES TACT SWITCH

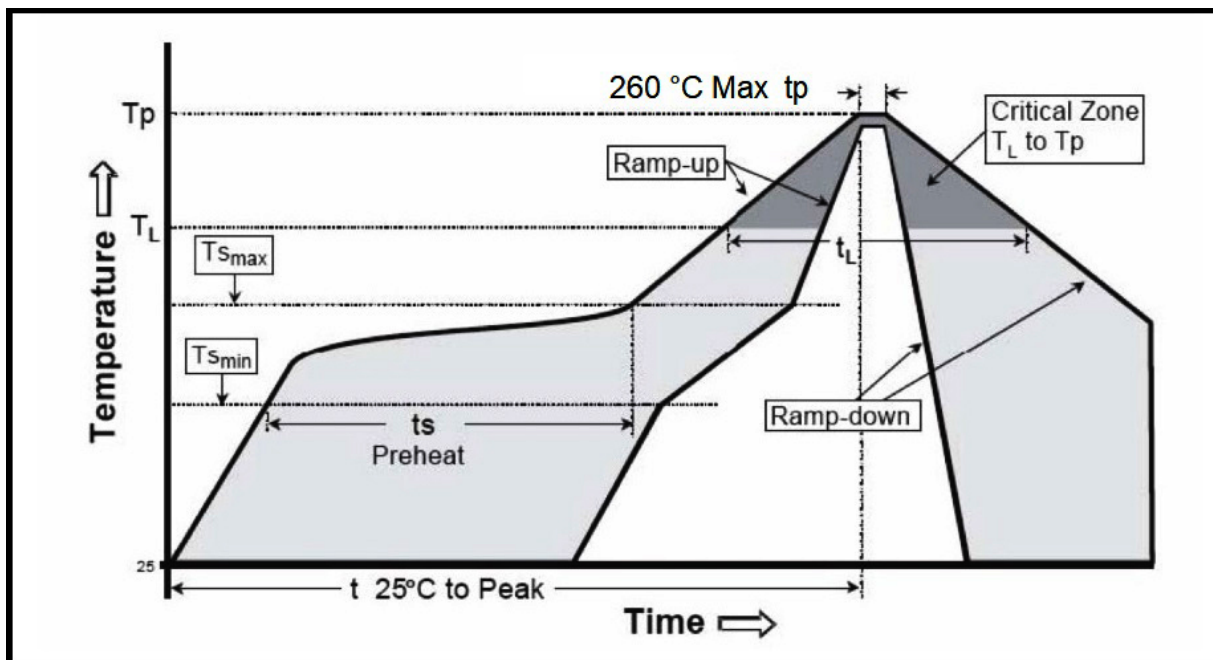
RECOMMENDED SOLDER PROCESS

Most contamination problems can be prevented by exercising care during the cleaning and soldering process. Care should be taken not to immerse or spray unsealed switches during flux removal. Contact E-Switch for specific soldering recommendations and specifications not shown. Generalized soldering procedures are outlined below.

“TYPICAL” SMT REFLOW (Pb and Pb-Free)

Profile Feature	Sn-Pb Eutectic Assembly	Pb-Free Assembly
Average Ramp-Up Rate ($T_{s_{max}}$ to T_p)	3 °C/second max.	3 °C/second max.
Preheat		
-Temperature Min ($T_{s_{min}}$)	100 °C	150 °C
-Temperature Max ($T_{s_{max}}$)	150 °C	200 °C
-Time ($t_{s_{min}}$ to $t_{s_{max}}$)	60-120 seconds	60-180 seconds
Time Maintained above:		
-Temperature (T_L)	183 °C	217 °C
-Time (t_L)	60-150 seconds	60-150 seconds
Time within 5 °C of actual Peak Temperature (t_p)	10-30 seconds	20-40 seconds
Ramp-Down Rate	6 °C/second max.	6 °C/second max.
Time 25 °C to Peak Temperature	6 minutes max.	8 minutes max.

Note 1: All temperatures refer to topside of the package, measured on the package surface.



X-ON Electronics

Largest Supplier of Electrical and Electronic Components

Click to view similar products for [Tactile Switches](#) category:

Click to view products by [E-Switch](#) manufacturer:

Other Similar products are found below :

[6407-250V-25273P](#) [ADTSA62NV](#) [B3F-3123](#) [1977177-8](#) [1977266-1](#) [ADTSA63NV](#) [ADTSM21NSVTR](#) [ADTSM25RVTR](#) [ADTSM32NVTR](#)
[ADTSMW64RV](#) [1977120-6](#) [FSMRA4JHA04](#) [GS4.70F300QP](#) [KSC241J SP DELTA LFS](#) [3FTL600RAS](#) [3FTL640RAS](#) [Y96K132V0FPLFS](#)
[09158](#) [6407-250V-25343P](#) [ADTSM31NVTR](#) [2-1977120-7](#) [TSJW-5.2-260-TR](#) [TME1-01-Z](#) [Y651050400P](#) [KMT011MNGJLHS](#)
[ADTSG648NV](#) [ADTSM62KSVTR](#) [MJTP1138DTR](#) [ADTSM648NV](#) [95C06E3RAT](#) [3ATH9Q](#) [FSMRA8JHA04](#) [HARS0073](#)
[Y33R411N9FPLFT](#) [Y33R51139FPLFT](#) [Y31C01402FPLFS](#) [PTS645SK50SMTR92](#) [ADTSM32NVB](#) [KMS233GPWTFLG](#) [Y78B64124FP](#)
[Y33A812C5FP LFT](#) [Y56B2D120FP LFS](#) [PTS645 DVM83-BN125-2 LFS](#) [B3W 1000G](#) [B3F 1002C](#) [B3F 0047H](#) [B3W 1002C](#) [B3F 5001G](#)
[B3W 1100C](#) [1-1571563-4](#)