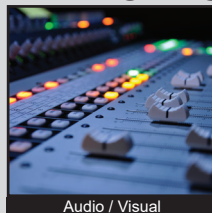


TL1220 SERIES TACT SWITCH

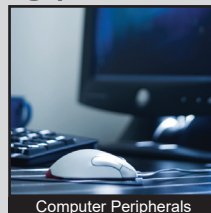
ANTI-VANDAL SWITCHES
 DETECTOR SWITCHES
 DIP SWITCHES
 KEYLOCK SWITCHES
 NAVIGATION SWITCHES
 PUSHBUTTON SWITCHES
 ROCKER SWITCHES
 ROTARY SWITCHES
 SLIDE SWITCHES
 SNAP ACTION SWITCHES
TACTILE SWITCHES
 TOGGLE SWITCHES
 CAP OPTIONS



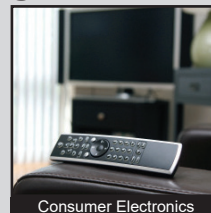
APPLICATIONS / MARKETS



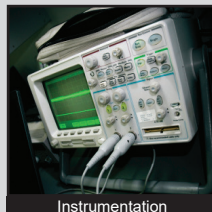
Audio / Visual



Computer Peripherals



Consumer Electronics



Instrumentation



Telecommunication



Medical Equipment

RoHS

SPECIFICATIONS

Electrical Rating: 50mA @ 12VDC
Life Expectancy: 500,000 cycles
Contact Resistance: 100mΩ @ 1.5 VDC Max. Initial
Insulation Resistance: 100 MΩ Min. at 500VAC
Dielectric Strength: 500VAC for 1 min.
Operating Temperature: -40°C to 85°C
Operating Force: 180 gf ± 50gf
Travel: 0.20mm ± 0.1mm
Contact Arrangement: SPST

FEATURES & BENEFITS

- Multiple illuminated cap options
- Single color and bi-color LED options
- Sharp tactile response

PART NUMBER CONFIGURATOR

Series	Button	Bezel	Bezel Color	Button Color	LED Color	Graphic
<input type="checkbox"/> <input type="checkbox"/> <input type="checkbox"/> <input type="checkbox"/> <input type="checkbox"/> <input type="checkbox"/> <input type="checkbox"/>	<input type="checkbox"/> <input type="checkbox"/>	<input type="checkbox"/>	<input type="checkbox"/>	<input type="checkbox"/>	<input type="checkbox"/>	<input type="checkbox"/>
TL1220	N - No Button S1 - 7.5mm sq. short S2 - 7.5mm sq. tall S3 - 10x14 rect.* S4 - 10x19 rect.* S5 - 12mm sq. * (W-tran. white only) S6 - 9.6x13.7 rect.* (T-tran. green only) R1 - 7.0mm dia. R2 - 8.0mm dia. R3 - 10.0mm dia. R4 - 13.0mm dia. w/ I/O* R5 - 8.0mm dia. (W-tran. white only)****	N - No Bezel B - With Bezel	N - No Bezel B - Black G - Gray	N - No Button B - Black G - Gray R - Red S - Silver W - Translucent White** T - Translucent Green***	N - No LED R - Red G - Green Y - Yellow B - Blue W - White RG - Red-Green RY - Red-Yellow RB - Red-Blue YG - Yellow-Green YB - Yellow-Blue GB - Green-Blue	N - No Graphic

* The S3, S4, S5, S6 and R4 buttons are not available with bezel options.

** W-Translucent white is only available with R5 and S5 buttons

*** T-Translucent green is only available with S6 button

**** R5 is only available with bezel option

Specifications subject to change without notice 10.9.2018



E-SWITCH®

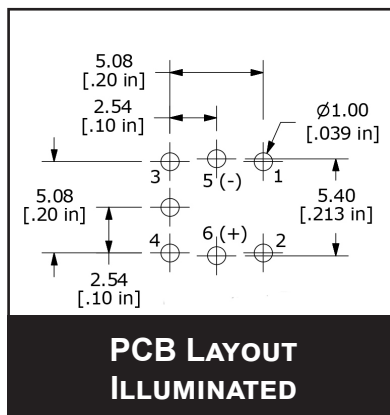
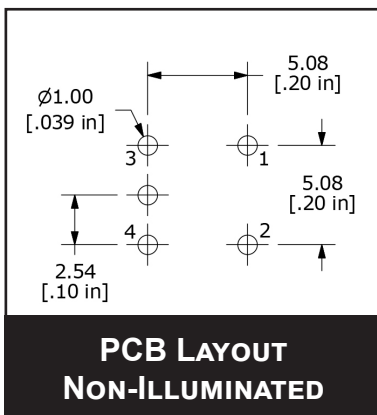
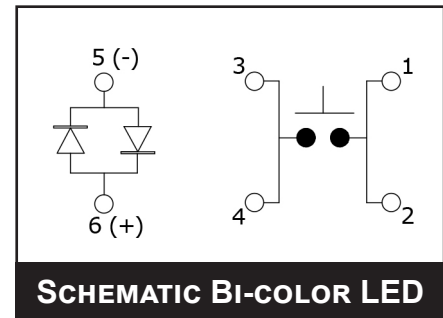
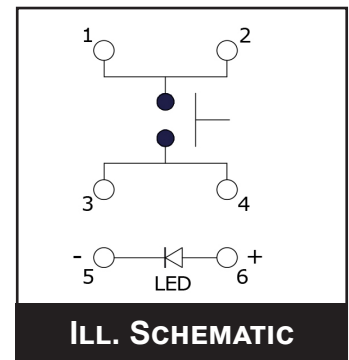
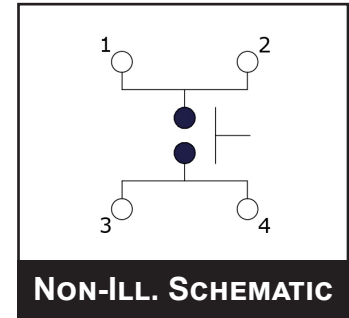
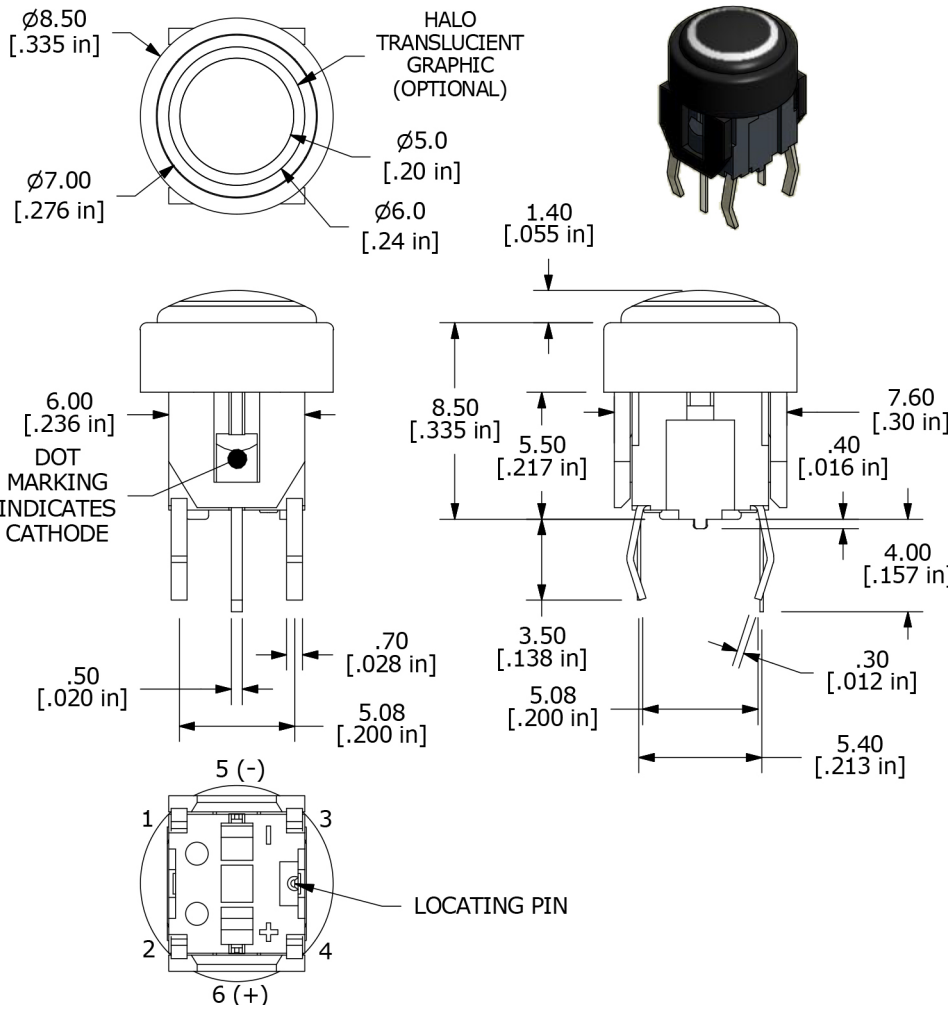
www.e-switch.com

800.867.2717

1

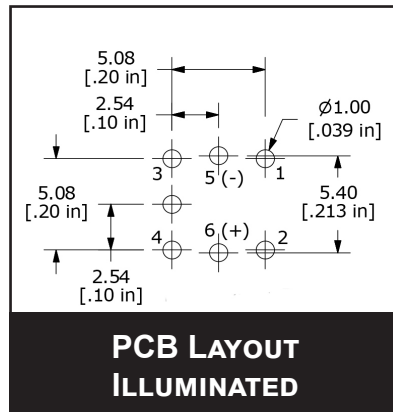
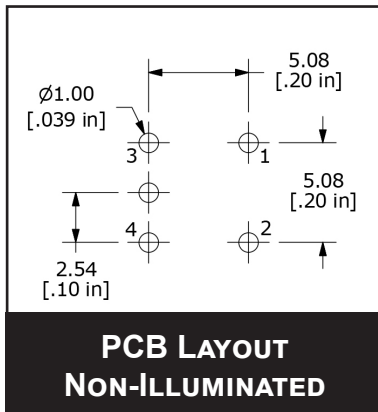
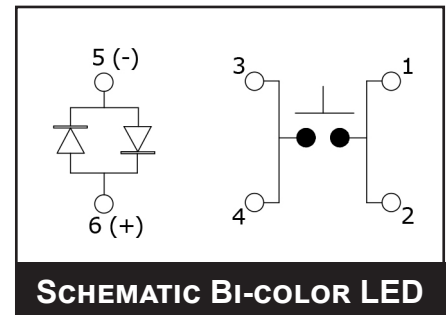
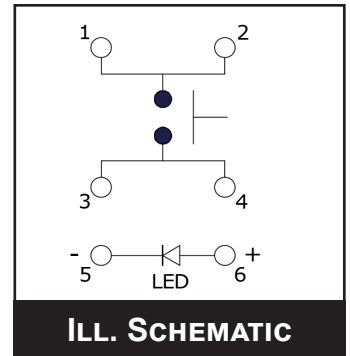
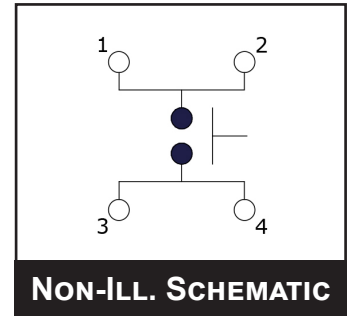
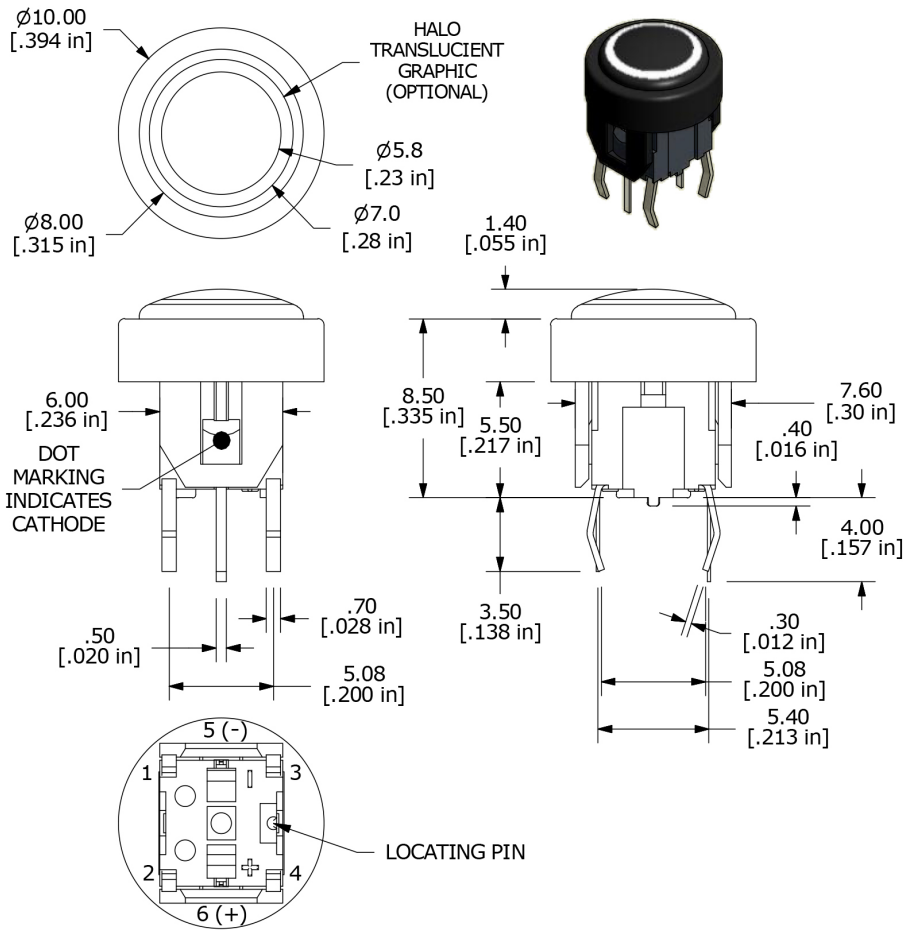
TL1220 SERIES TACT SWITCH

R1 BUTTON - 7MM DIA.

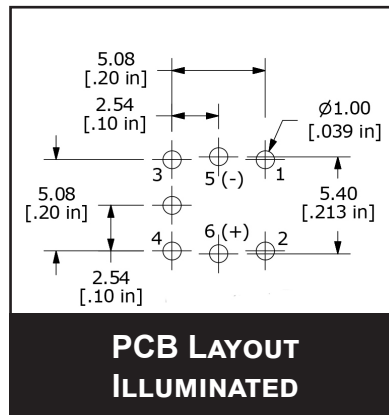
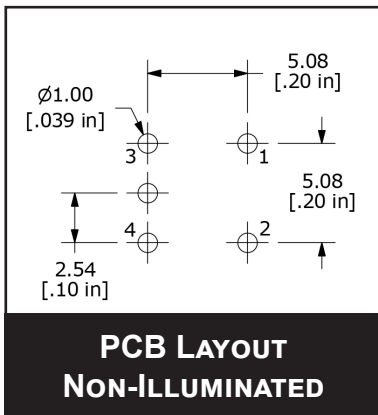
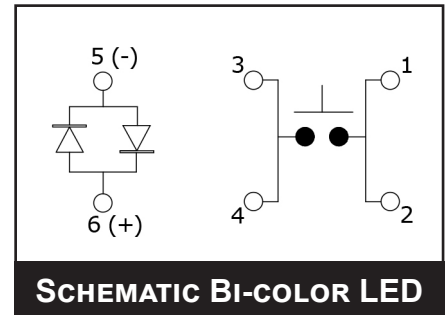
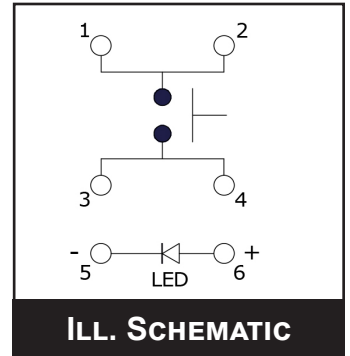
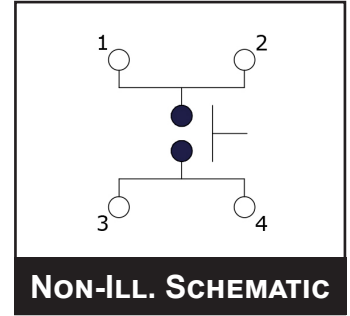
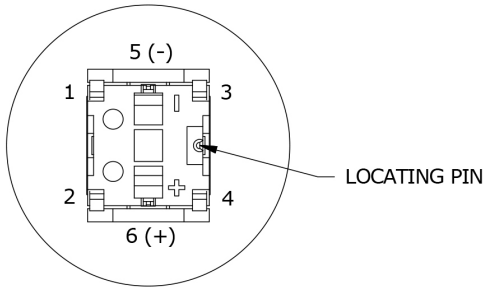
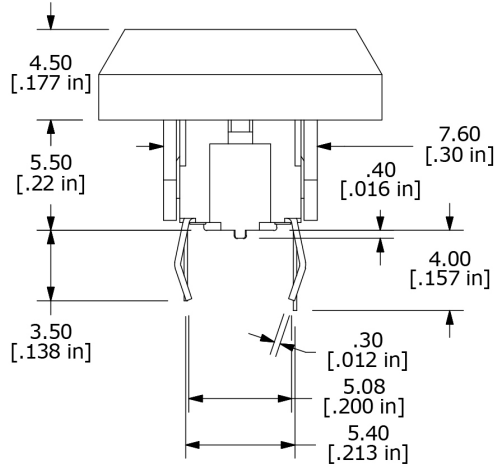
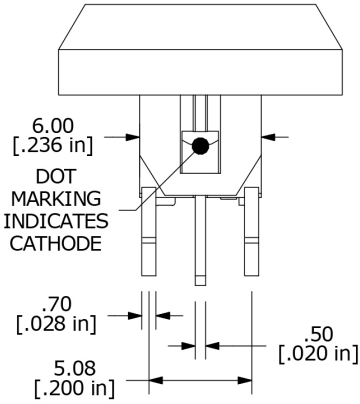
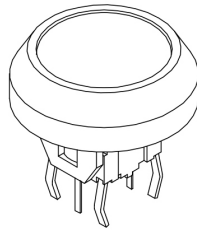
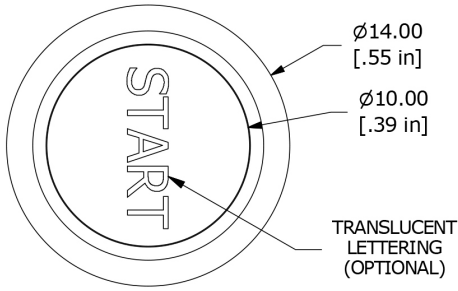


ANTI-VANDAL
 DETECTOR SWITCHES
 DIP SWITCHES
 KEYLOCK SWITCHES
 NAVIGATION SWITCHES
 PUSHBUTTON SWITCHES
 ROTARY SWITCHES
 SLIDE SWITCHES
 SNAP ACTION SWITCHES
 TACTILE SWITCHES
 TOGGLE SWITCHES
 CAP OPTIONS

R2 BUTTON - 8MM DIA.

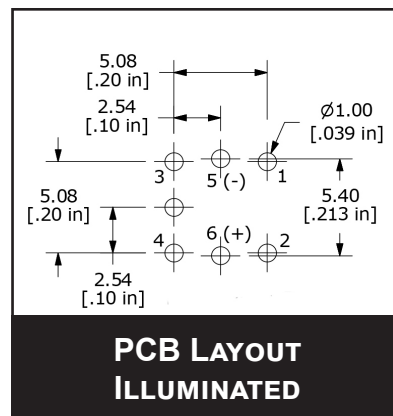
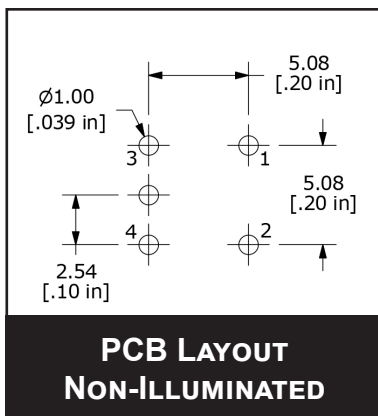
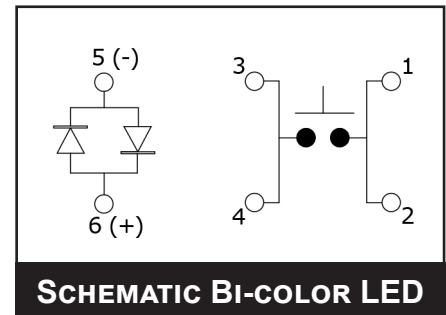
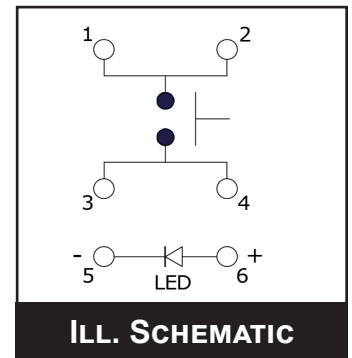
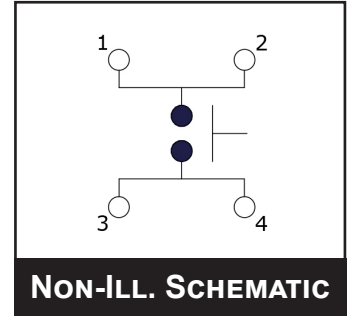
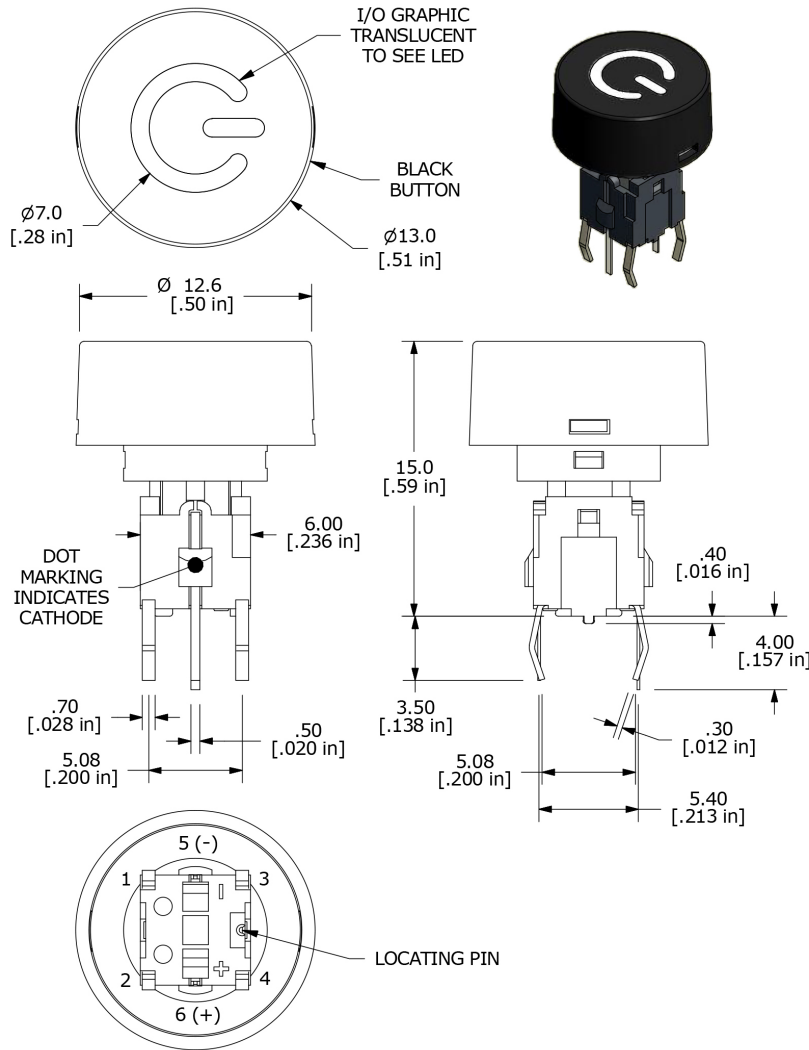


R3 BUTTON - 10MM DIA.

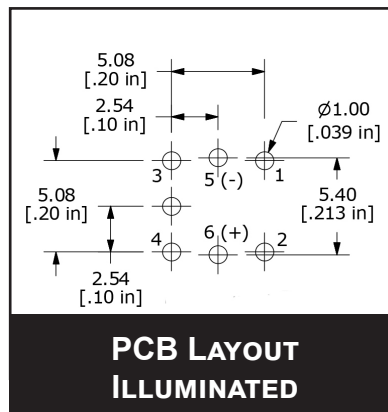
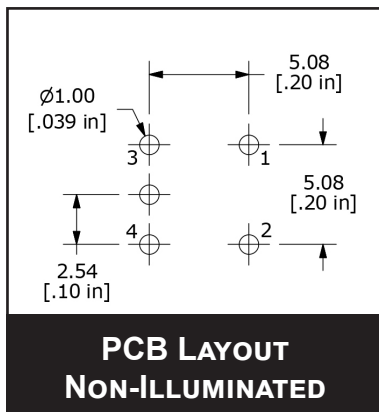
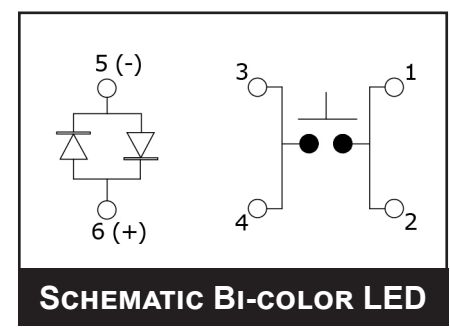
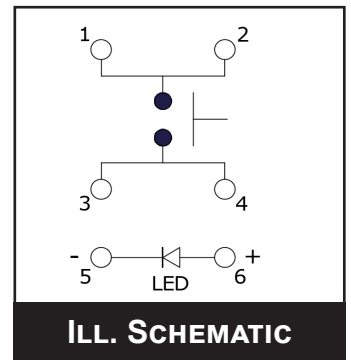
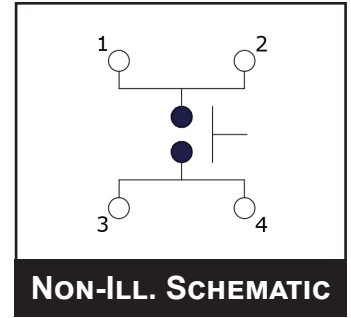
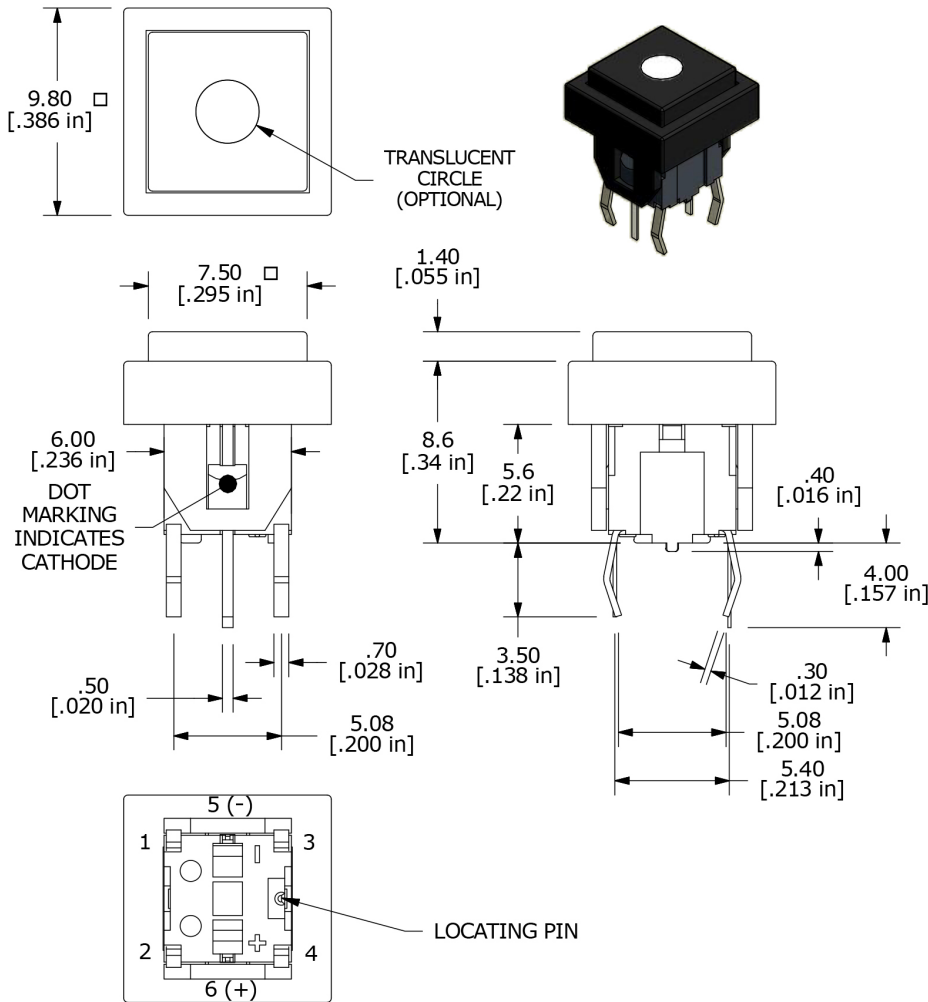


TL1220 SERIES

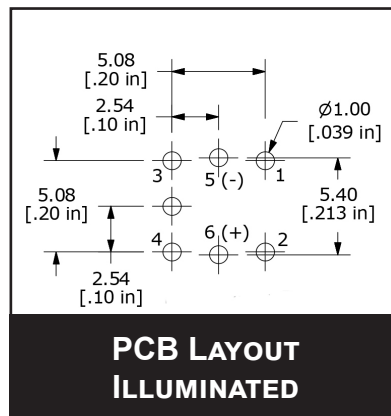
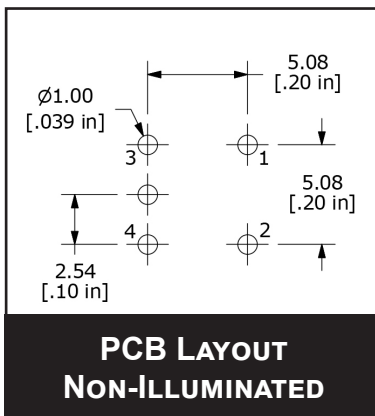
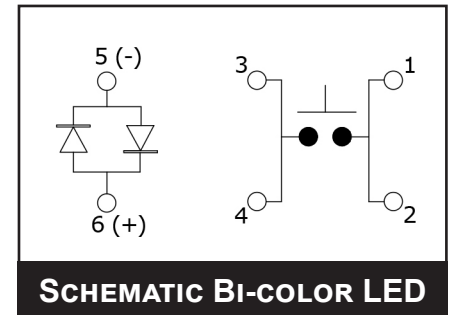
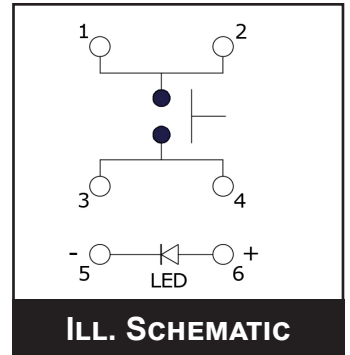
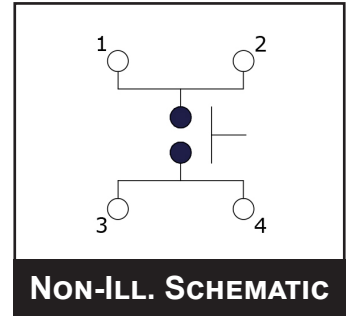
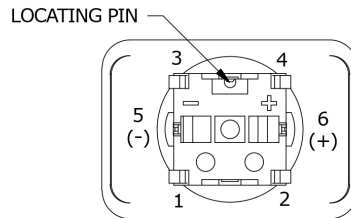
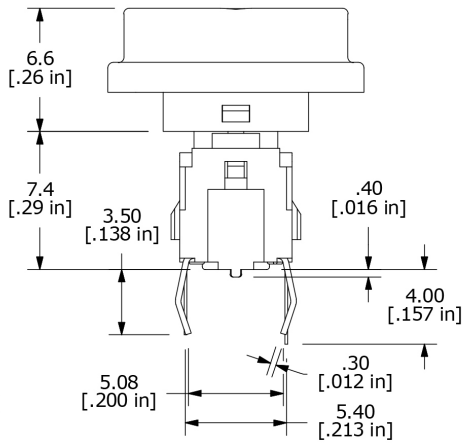
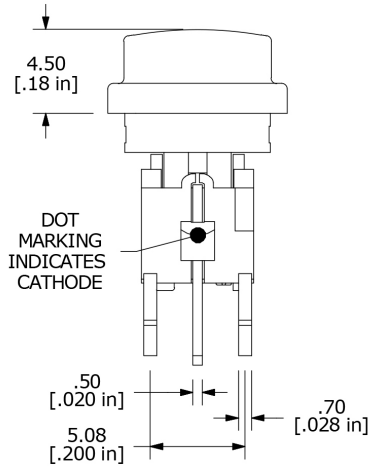
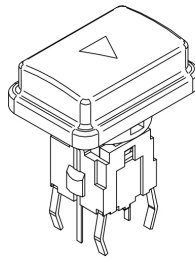
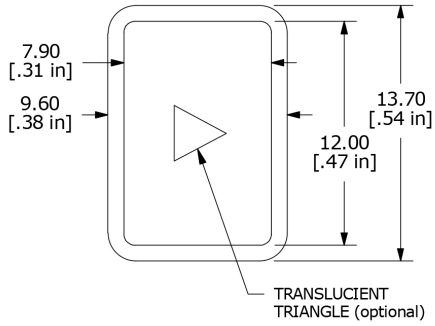
R4 BUTTON - 13MM DIA. W/ ILLUMINATED I/O



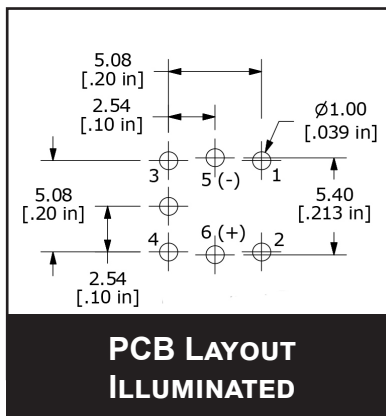
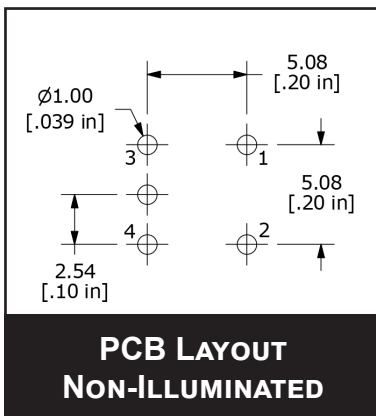
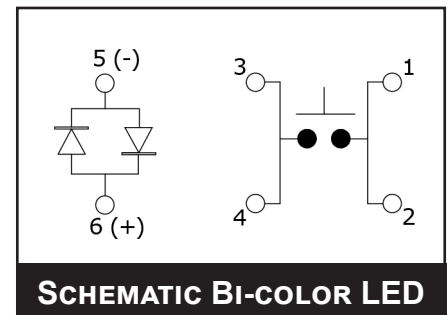
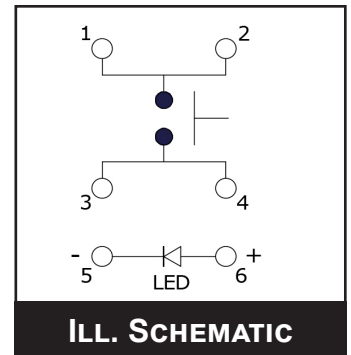
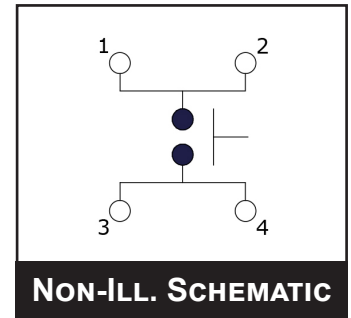
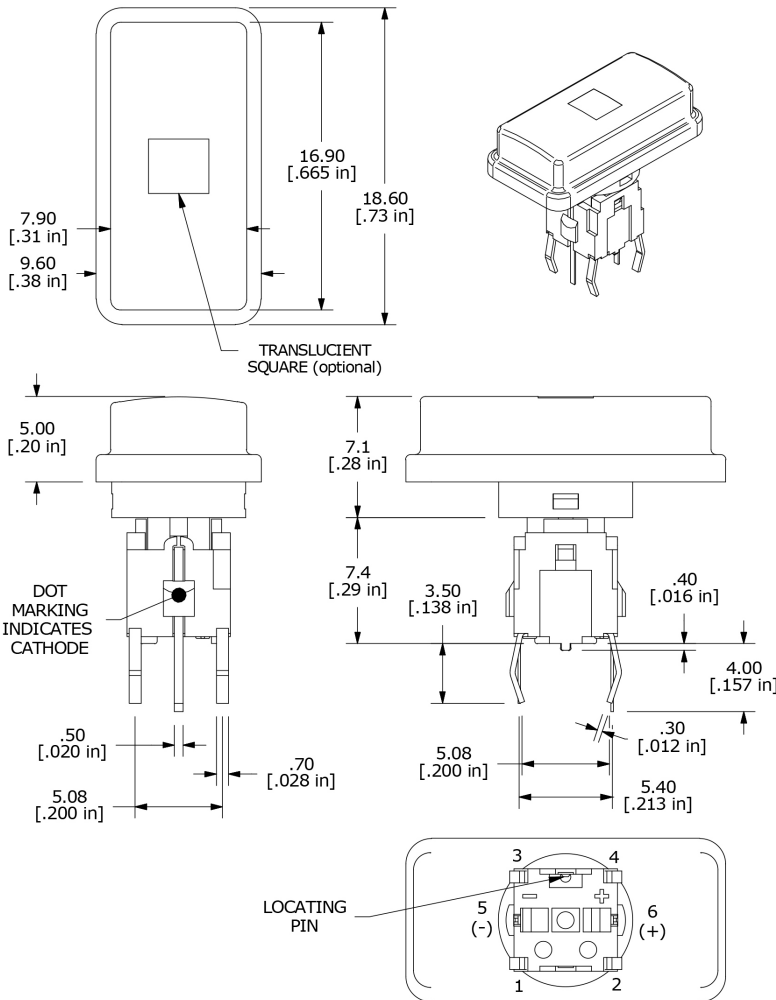
S1 BUTTON - 7.5MM SQUARE SHORT



S3 BUTTON - 10x14MM RECTANGLE



S4 BUTTON - 10x19MM RECTANGLE

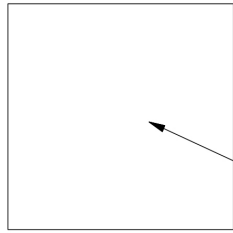


- ANTI-VANDAL SWITCHES
- DETECTOR SWITCHES
- DIP SWITCHES
- KEYLOCK SWITCHES
- NAVIGATION SWITCHES
- PUSHBUTTON SWITCHES
- ROCKER SWITCHES
- ROTARY SWITCHES
- SLIDE SWITCHES
- SNAP ACTION SWITCHES
- TACTILE SWITCHES
- TOGGLE SWITCHES
- CAP OPTIONS

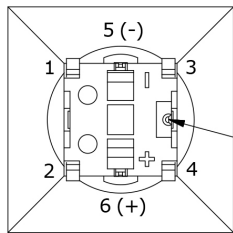
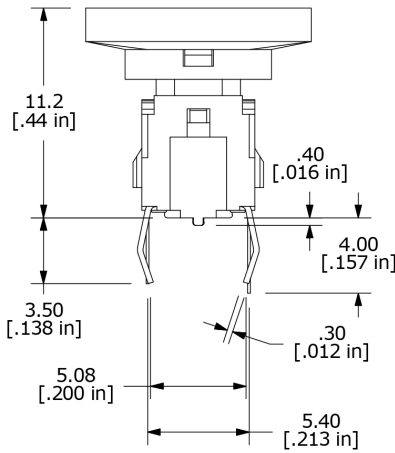
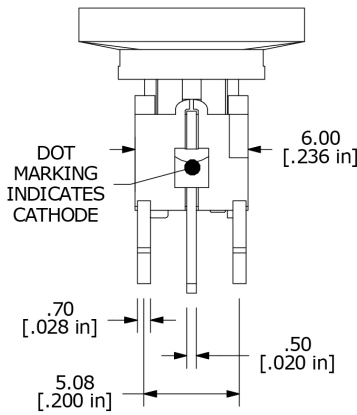
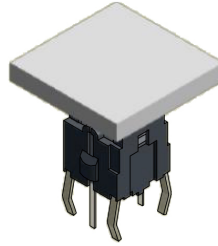


S5 BUTTON - 12MM SQUARE

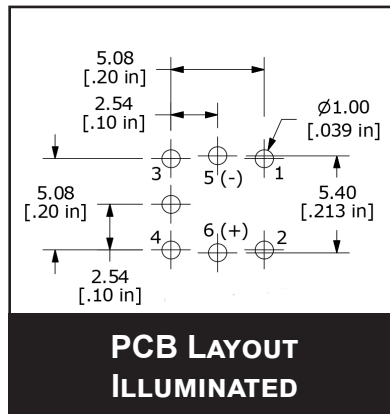
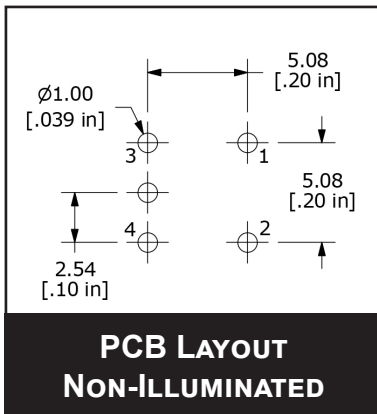
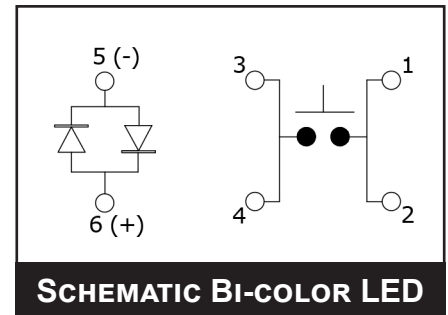
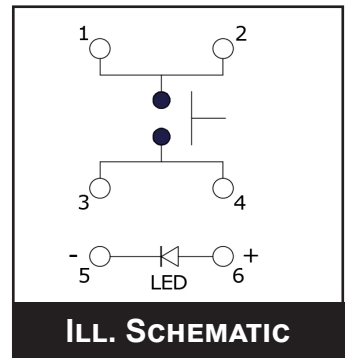
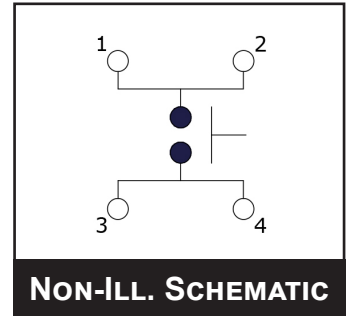
□ 12.00
[.472 in]



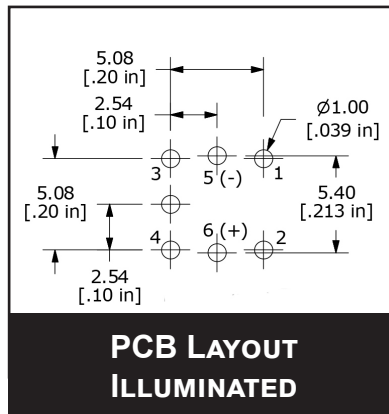
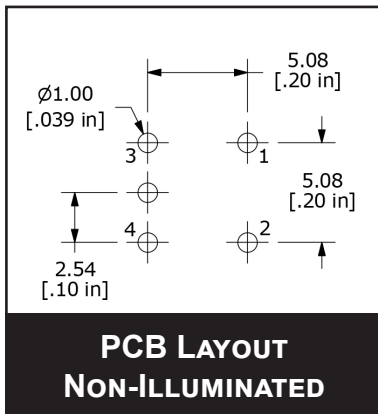
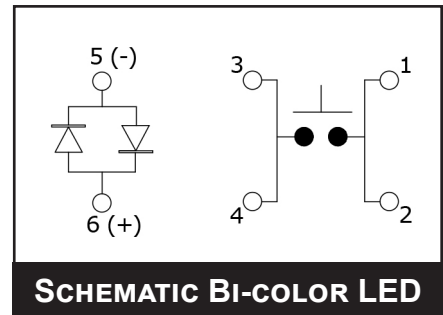
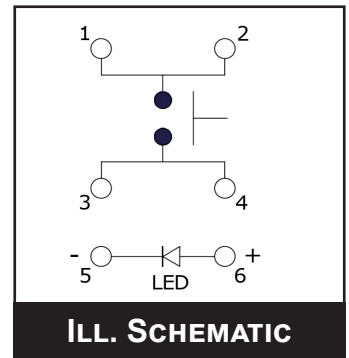
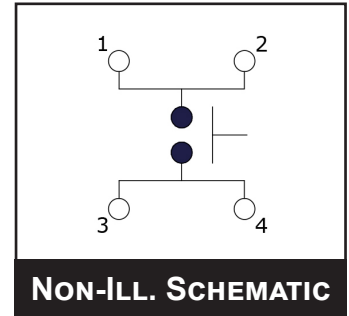
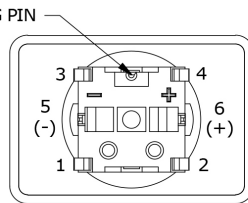
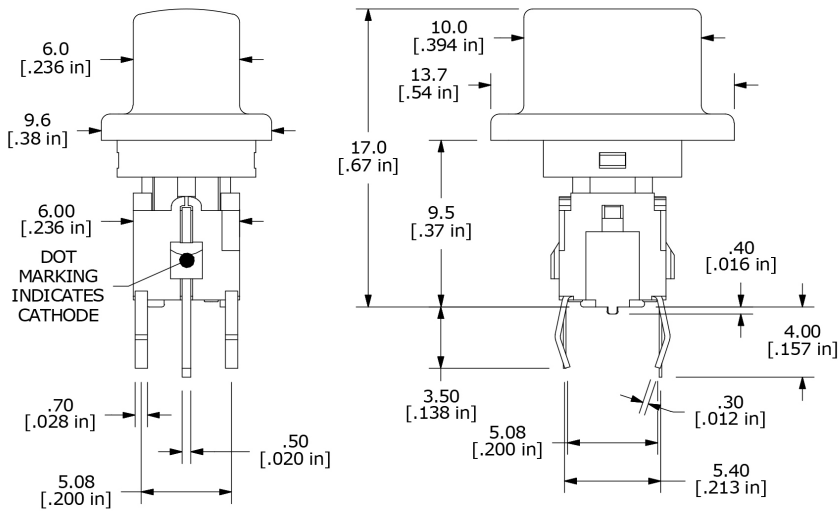
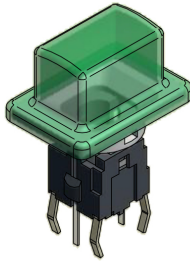
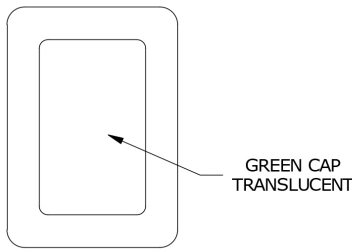
WHITE CAP
TRANSLUCENT
TO SEE LED



LOCATING PIN



S6 BUTTON - 9.6x13.7MM RECTANGLE GREEN TRANSLUCENT



X-ON Electronics

Largest Supplier of Electrical and Electronic Components

Click to view similar products for [Tactile Switches](#) category:

Click to view products by [E-Switch](#) manufacturer:

Other Similar products are found below :

[5GTH92001](#) [5GTH9202242](#) [1-1977120-4](#) [ADTSA62RV](#) [ADTSA63KV](#) [ADTSA644NV](#) [ADTSMW66NV](#) [ADTSMW67RV](#) [B3F-3123](#) [B3F-6055A](#) [B3F-B32-01-KIT](#) [1977177-8](#) [1977266-1](#) [ADTS644KV](#) [ADTSA61RV](#) [ADTSA62KV](#) [ADTSA63NV](#) [ADTSA63RV](#) [ADTSM21NSVTR](#) [ADTSM32NVTR](#) [ADTSM61YVTR](#) [ADTSM63SVTR](#) [ADTSM644KVTR](#) [ADTSMW64RV](#) [ADTSMW69NV](#) [FSMRA4JHA04](#) [GS4.70F300QP](#) [3ESH9R](#) [506E00201](#) [MJTP1164TR](#) [3FTL600RAS](#) [3FTL640RAS](#) [Y96K132V0FPLFS](#) [101-TS5022T1601-EV](#) [5GSH92001](#) [KSJ0A231](#) [80SH LFG](#) [EVQ-P1D05K](#) [MJTP1162TR](#) [ADTSM63KV](#) [2-1977120-7](#) [TSJW-5.2-260-TR](#) [KMT011MNGJLHS](#) [ADTSA648RV](#) [70-201.0](#) [ADTSM62KSVTR](#) [ATA600VTR](#) [ADTSG66RV](#) [ADTS61NV](#) [ADTSM62KVTR](#) [ADTSM25KSVB](#)