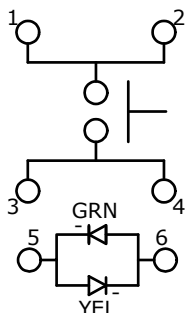


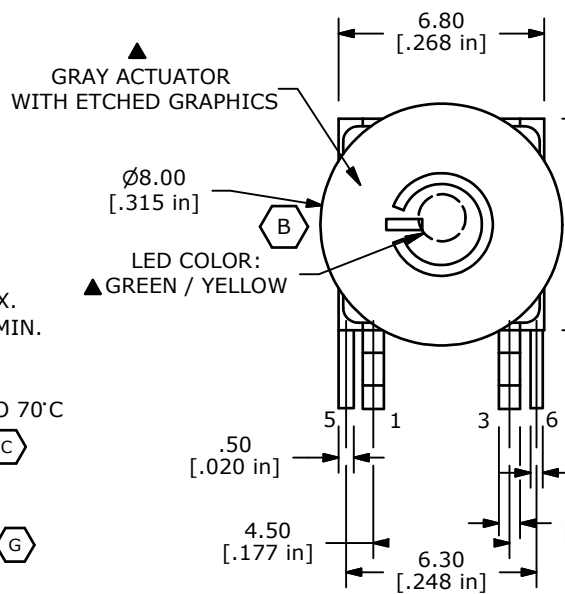
P.C.B. LAYOUT

▲ LED SPECS	UNITS	GREEN	YELLOW
FORWARD CURRENT	mA	20	20
FORWARD VOLTAGE	V	2.0 TYP. - 2.5 MAX	2.0 TYP. - 2.5 MAX
LUMINOUS INTENSITY	mcd	120 TYP.	200 TYP.

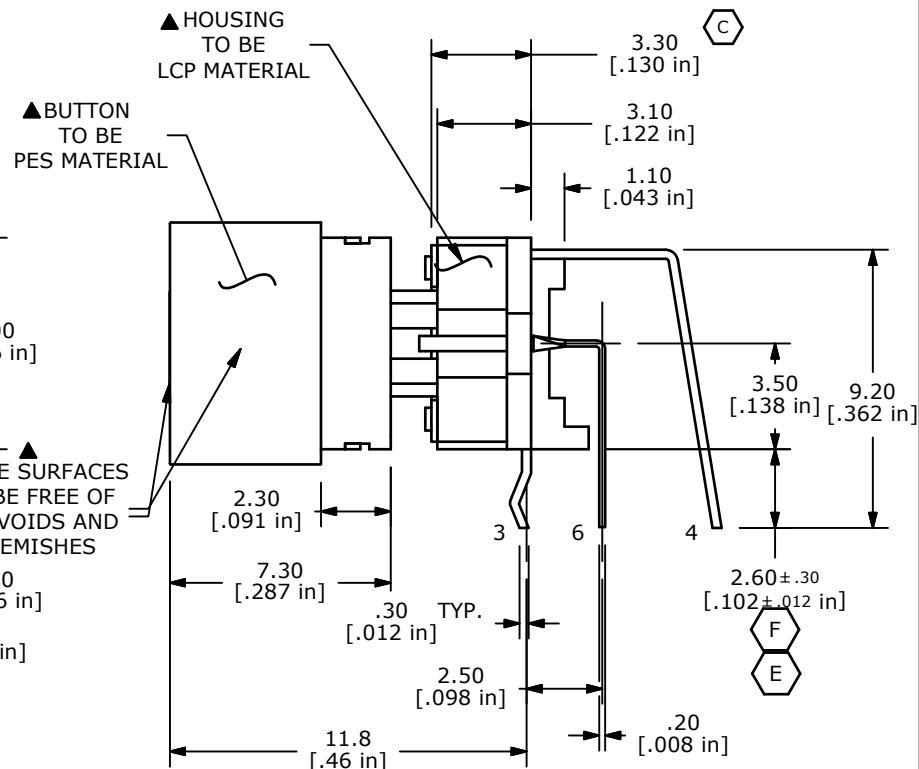
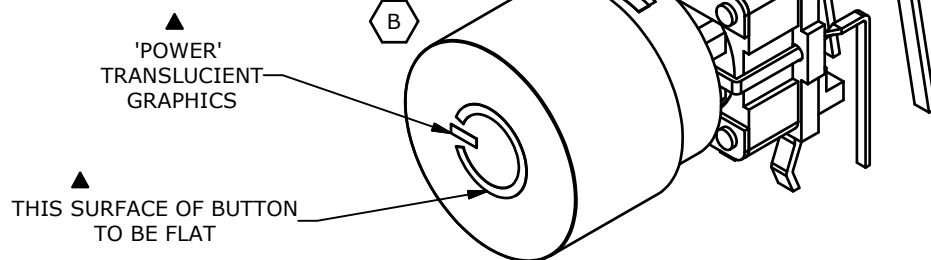


CIRCUIT: SPST

- NOTES:
1. ALL DIMENSIONS IN MM [INCH]
  2. GENERAL TOLERANCE: X.X=±0.4  
X.XX=±0.25
  3. RATING: 12VDC @ 50mA
  4. CONTACT RESISTANCE: 100mΩ MAX.
  5. INSULATION RESISTANCE: 100MΩ MIN.
  - ▲6. OPERATING FORCE: 160± 50gf
  7. TRAVEL: 0.2±0.1mm
  8. OPERATING TEMPERATURE: -20°C TO 70°C
  9. OPERATING LIFE 500,000 CYCLES (C)
  - ▲10. LED COLOR: GREEN / YELLOW
  11. ▲ DENOTES CRITICAL PARAMETER
  12. 2002/95/EC (ROHS) COMPLIANT
  13. PACKAGING: 100 PIECES PER TRAY (G)



ISOMETRIC



G	21662	ADDED NOTE 13	10/23/14	AS
F	21045	2.6 ± 0.3 WAS 2.9 ± 0.3	2/19/13	EBP
E	20959	2.9 ± 0.3 WAS 3.1 ± 0.1	1/9/13	EBP
D	20196	ADD SURFACE NOTE	10/05/11	BGL
C	19969	CHANGED NOTE 9. AND DIM WAS 3.5	5/27/11	BGL
B	19896	ROTATE SYMBOL CCW 90	4/28/11	BGL
REV	PCR NO	DESCRIPTION	DATE	BY

THE INFORMATION CONTAINED IN THIS DOCUMENT IS PROPRIETARY TO E-SWITCH AND IS NOT TO BE COPIED OR TRANSFERRED



TITLE TL1260GYQC1GRY-PWR

SCALE	DATE	DR	DWG	REV
4:1	3/29/2011	BGL	B200050	G

## X-ON Electronics

Largest Supplier of Electrical and Electronic Components

*Click to view similar products for [Pushbutton Switches](#) category:*

*Click to view products by [E-Switch](#) manufacturer:*

Other Similar products are found below :

[8940K2012](#) [LW1L-M1C10V-A](#) [LW1L-M1C70-A](#) [LW2L-A1C20M-GD](#) [LW2L-M1C20M-A](#) [60324L](#) [M22-D-R-GB0/K11](#) [M7E-HRN2](#)  
[67021K512](#) [67081K512X](#) [701PB580](#) [7190K101](#) [7199K101](#) [810K12910](#) [810KSV30B](#) [MML21EA2ADK](#) [MML21KA3ABK](#)  
[MML23KA3AC05K-001](#) [MML23KW3AA01W](#) [8418K2](#) [8442K3](#) [8450K1](#) [860K11911T01A](#) [861901](#) [861K11911T01A07](#)  
[861K13810T00A14](#) [861K13911](#) [8646AB6X718UL](#) [8646ABUL](#) [9001KXRK](#) [907AYY100](#) [PMHD155A1](#) [95-313.000](#)  
[9533CD4+U574+U4922](#) [95-414.000](#) [99-450.837](#) [99-453.837](#) [PV3H2B0NN-341](#) [1203MRA](#) [A22NZBGANGA](#) [A22NZBMMNGA](#)  
[A22NZBNANGA](#) [A22NZMPATRA](#) [A2PMA1X03EC56](#) [A3A-5123-02](#) [A3A-7140](#) [A3A-7310](#) [A3A-7340](#) [A3U-TMW-A2C-5M](#) [A595](#)