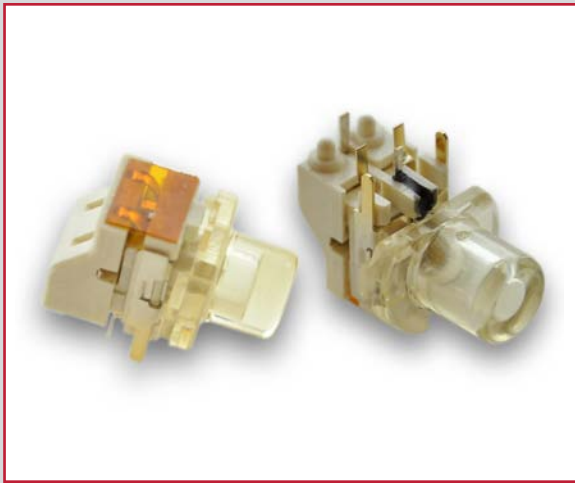
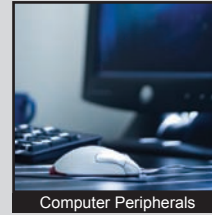


# TL1270 SERIES TACT SWITCH

## APPLICATIONS / MARKETS



Audio / Visual



Computer Peripherals



Consumer Electronics



Instrumentation



Telecommunication



Medical Equipment

# RoHS

## SPECIFICATIONS

**Electrical Rating:** 50mA @ 12VDC  
**Life Expectancy:** 100,000 Cycles  
**Contact Resistance:** 500mΩ Max.  
**Insulation Resistance:** 100 MΩ Min. at 100VDC  
**Dielectric Strength:** 250VAC for 1 min.  
**Operating Temperature:** -40°C to 85°C  
**Storage Temperature:** -40°C to 85°C  
**Operating Force:** 160 gf, 250 gf  
**Travel:** 0.20mm  
**Contact Arrangement:** SPST, Normally Open, Momentary

## FEATURES & BENEFITS

- LED Illumination
- Tape & Reel packaging
- Right angle design
- Gold or silver contact option
- Long or short cap options

## PART NUMBER CONFIGURATOR

| Series  | Force   | Color   | Contact Plating   | Cap Style   | Cap Color                      |
|---|---|---|---|---|--------------------------------|
| <input type="text" value="TL"/> <input type="text" value="1"/> <input type="text" value="2"/> <input type="text" value="7"/> <input type="text" value="0"/> | <input type="text" value="F"/> <input type="text" value="1"/> <input type="text" value="6"/> <input type="text" value="0"/> | <input type="text" value="BL"/> <input type="text" value="GY"/>                     | <input type="text" value="Q"/> <input type="text" value="R"/> | <input type="text" value="A"/> <input type="text" value="B"/> | <input type="text" value="T"/> |
| TL1270  | F160<br>F250  | BL - Blue<br>GY - Green/Yellow<br>bi-color<br>RE - Red<br>YE - Yellow<br>WH - White | Q - Silver<br>R - Gold  | A - Short<br>B - Long   | T - Transparent                |

Specifications subject to change without notice



E-SWITCH®

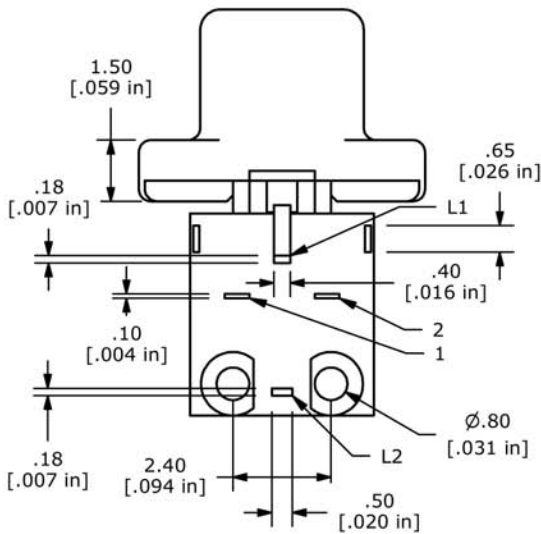
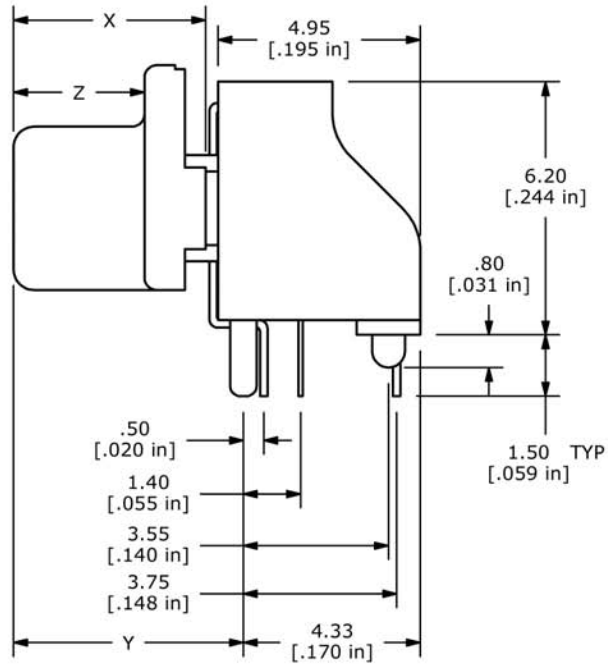
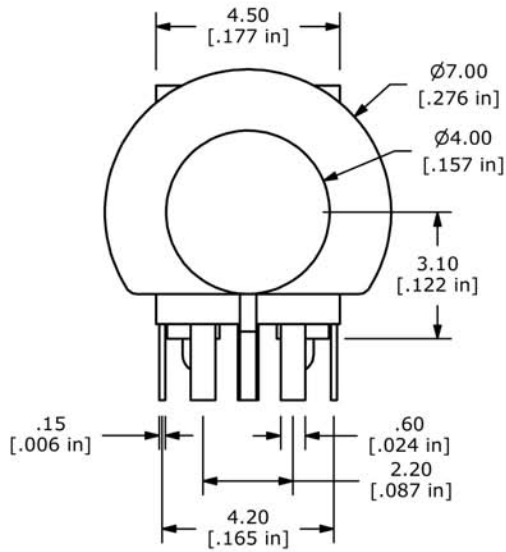
www.e-switch.com

800.867.2717

2

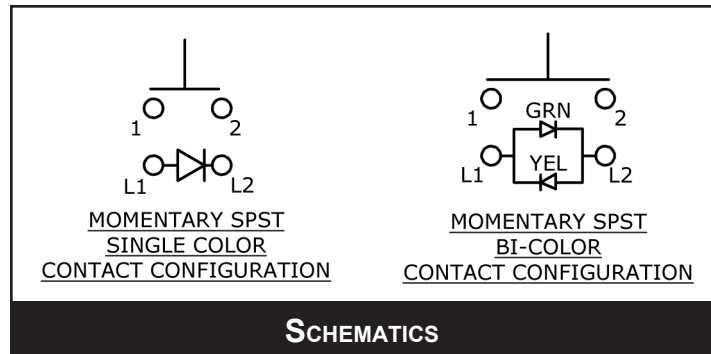
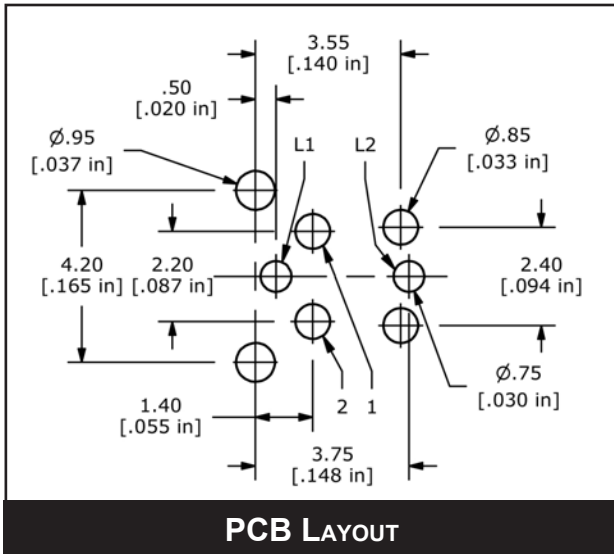
# TL1270 SERIES TACT SWITCH

## BODY DIMENSIONS



| CAP Dimensions |                |                |                |
|----------------|----------------|----------------|----------------|
| Cap Style      | Dimension X    | Dimension Y    | Dimension Z    |
| A              | 4.70 [.185 in] | 5.62 [.221 in] | 3.20 [.126 in] |
| B              | 5.70 [.224 in] | 6.62 [.261 in] | 4.20 [.165 in] |

| LED Specifications |                 |                     |                    |
|--------------------|-----------------|---------------------|--------------------|
|                    | Forward Current | Forward Voltage     | Luminous Intensity |
| Blue               | 20mA            | 3.0V Typ - 3.6V Max | 80 mcd Typ         |
| Red                | 20mA            | 3.0V Typ - 3.6V Max | 80 mcd Typ         |
| Green              | 20mA            | 2.0V Typ - 2.3V Max | 6 mcd Typ          |
| Yellow             | 20mA            | 2.0V Typ - 2.3V Max | 50 mcd Typ         |
| White              | 20mA            | 3.0V Typ - 3.6V Max | 350 mcd Typ        |



ANTI-VANDAL SWITCHES  
 DETECTOR SWITCHES  
 DIP SWITCHES  
 KEYLOCK SWITCHES  
 NAVIGATION SWITCHES  
 PUSHBUTTON SWITCHES  
 ROCKER SWITCHES  
 ROTARY SWITCHES  
 SLIDE SWITCHES  
 SNAP ACTION SWITCHES  
 TACTILE SWITCHES  
 TOGGLE SWITCHES  
 CAP OPTIONS

## X-ON Electronics

Largest Supplier of Electrical and Electronic Components

*Click to view similar products for [Tactile Switches](#) category:*

*Click to view products by [E-Switch](#) manufacturer:*

Other Similar products are found below :

[5GTH92001](#) [5GTH9202242](#) [1-1977120-4](#) [ADTSA62RV](#) [ADTSA63KV](#) [ADTSA644NV](#) [ADTSMW66NV](#) [ADTSMW67RV](#) [B3F-3123](#) [B3F-6055A](#) [B3F-B32-01-KIT](#) [1977177-8](#) [1977266-1](#) [ADTS644KV](#) [ADTSA61RV](#) [ADTSA62KV](#) [ADTSA63NV](#) [ADTSA63RV](#) [ADTSM21NSVTR](#) [ADTSM32NVTR](#) [ADTSM61YVTR](#) [ADTSM63SVTR](#) [ADTSM644KVTR](#) [ADTSMW64RV](#) [ADTSMW69NV](#) [FSMRA4JHA04](#) [GS4.70F300QP](#) [3ESH9R](#) [506E00201](#) [MJTP1164TR](#) [3FTL600RAS](#) [3FTL640RAS](#) [Y96K132V0FPLFS](#) [101-TS5022T1601-EV](#) [5GSH92001](#) [KSJ0A231](#) [80SH LFG](#) [EVQ-P1D05K](#) [MJTP1162TR](#) [ADTSM63KV](#) [2-1977120-7](#) [TSJW-5.2-260-TR](#) [KMT011MNGJLHS](#) [ADTSA648RV](#) [70-201.0](#) [ADTSM62KSVTR](#) [ATA600VTR](#) [ADTSG66RV](#) [ADTS61NV](#) [ADTSM62KVTR](#) [ADTSM25KSVB](#)